

## Service Manual

TV

**Entwicklungscode AA**  
**Evolution Code AA**

**TVR 3705**  
**TVR 3720**  
**TVR 3720 GB**

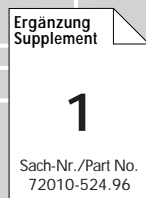
**Entwicklungscode AB**  
**Evolution Code AB**

**TVR 3701 SV**  
**TVR 3710**  
**TVR 3710 GB**  
**TVR 5100**  
**TVR 5100 GB**  
**TVR 5500**



Zusätzlich erforderliche  
Unterlagen für den Komplettservice

Additionally required  
Service Manuals for the Complete Service



Btx \* 32700 #

Sachnummer  
Part Number 72010-524.98

Änderungen vorbehalten  
Subject to alteration

Printed in Germany  
VK24/221 0497

Es gelten die Vorschriften und Sicherheitshinweise gemäß dem Service Manual "Sicherheit", Sach-Nummer 72010-800.00, sowie zusätzlich die eventuell abweichenden, landesspezifischen Vorschriften!



The regulations and safety instructions shall be valid as provided by the "Safety" Service Manual, part number 72010-800.00, as well as the respective national deviations.

## D Inhaltsverzeichnis

Seite

<b>Allgemeiner Teil</b> .....	<b>1-1...1-16</b>
Geräteübersicht .....	1-3
Codeaufkleber, Entwicklungscode .....	1-4
Änderungen Abgleich .....	1-4
Meßgeräte / Meßmittel .....	Service Manual TVR 1-4
Technische Daten .....	Service Manual TVR 1-4
Bedienhinweise .....	Service Manual TVR 1-5
Servicehinweise .....	Service Manual TVR 1-9
Codeaufkleber, Entwicklungscode .....	1-4
Service Testprogramm .....	Service Manual TVR 1-12
<b>Beschreibung</b> .....	<b>2-1...2-8</b>
Leistungs-Chassis (PLSP) .....	Service Manual TVR 2-1
• Netzteil .....	Service Manual TVR 2-1
• Hochspannungsteil .....	Service Manual TVR 2-2
Bildrohrplatte .....	Service Manual TVR 2-2
Signal-Chassis (PSSP2) .....	Service Manual TVR 2-3
• Laufwerksteuerung/Deck-Elektronik (DE) .....	Service Manual TVR 2-3
• Bedieneinheit (CO) .....	Service Manual TVR 2-4
• TV-Signalelektronik (TV) .....	Service Manual TVR 2-4
• Empfangseinheit 2 (TU2) .....	Service Manual TVR 2-5
• IN/OUT (IO) .....	Service Manual TVR 2-6
• Video/Chroma (VS) .....	Service Manual TVR 2-6
• Standardton (AL) .....	Service Manual TVR 2-7
• Teletext "DOS" (TXT) .....	Service Manual TVR 2-8
<b>Abgleich</b> .....	<b>3-1...3-4</b>
Abgleichlageplan .....	Service Manual TVR 3-1
Leistungs-Chassis (PLSP) .....	Service Manual TVR 3-3
Änderungen Abgleich .....	1-4
Bildrohrplatte .....	Service Manual TVR 3-3
Änderungen Abgleich .....	1-4
Signal-Chassis (PSSP2) .....	Service Manual TVR 3-3
• TV-Signalelektronik (TV) .....	Service Manual TVR 3-3
• Bedieneinheit (CO) .....	Service Manual TVR 3-3
• Laufwerksteuerung/Deck-Elektronik (DE) .....	Service Manual TVR 3-4
• Empfangseinheit 2 (TU2) .....	Service Manual TVR 3-4
• Video/Chroma (VS) .....	Service Manual TVR 3-4
• Standardton (AL) .....	Service Manual TVR 3-4
<b>Platinenabbildungen und Schaltpläne</b> .....	<b>4-1...4-72</b>
Verdrahtungspläne .....	4-1
Blockschaltpläne .....	4-7
Leistungs-Chassis (GSPD) .....	4-16
Netzschalterplatte .....	Service Manual TVR 4-18
Bildrohrplatte .....	4-27
Laufwerkplatte – Sensoreinheit .....	Service Manual TVR 4-46
Signal-Chassis (KSMD/KSPD) .....	4-31
• Bedieneinheit (CO) .....	4-43
• TV-Signalelektronik (TV) .....	4-49
• Empfangseinheit 2 (TU2) .....	4-52
• Teletext "DOS" (TXT) .....	Service Manual TVR 4-58
• IN/OUT (IO) .....	4-55
• Video/Chroma (VS) .....	4-59
• Standardton (AL) .....	4-62
• Laufwerksteuerung / Deck-Elektronik (DE) .....	4-63
Buchsenplatte (BUPI) .....	Service Manual TVR 4-68
Kopfverstärkerplatte (OHA) .....	Service Manual TVR 4-69
• Kopfscheibenmotoransteuerung .....	Service Manual TVR 4-70
• Kopfverstärker .....	Service Manual TVR 4-71
<b>Laufwerk</b> .....	<b>5-1...5-12</b>
Meßgeräte / Meßmittel .....	Service Manual TVR 5-1
Servicehinweise .....	Service Manual TVR 5-2
Auswechseln von Laufwerksteilen .....	Service Manual TVR 5-3
Einstellungen .....	Service Manual TVR 5-10
<b>Ersatzteillisten</b> .....	<b>E-1...E-16</b>

## GB Table of Contents

Page

<b>General Section</b> .....	<b>1-1...1-16</b>
TVR Overview .....	1-3
Code Label, Evolution Code .....	1-4
Alteration Adjustment Procedures .....	1-4
Test Equipment / Jigs .....	Service Manual TVR 1-4
Specifications .....	Service Manual TVR 1-4
Operating Hints .....	Service Manual TVR 1-7
Service Instructions .....	Service Manual TVR 1-9
Code Label, Evolution Code .....	1-4
Service Test Programme .....	Service Manual TVR 1-12
<b>Description</b> .....	<b>2-9...2-16</b>
Power Chassis (PLSP) .....	Service Manual TVR 2-9
• Power Supply .....	Service Manual TVR 2-9
• High Voltage Section .....	Service Manual TVR 2-10
Tube PCB .....	Service Manual TVR 2-10
Signal Chassis (PSSP2) .....	Service Manual TVR 2-11
• Deck Control / Deck Electronic (DE) ....	Service Manual TVR 2-11
• Keyboard Control Unit (CO) .....	Service Manual TVR 2-12
• TV Signal Electronics (TV) .....	Service Manual TVR 2-12
• Frontend 2 (TU2) .....	Service Manual TVR 2-13
• IN/OUT (IO) .....	Service Manual TVR 2-14
• Video/Chroma (VS) .....	Service Manual TVR 2-14
• Standard Sound (AL) .....	Service Manual TVR 2-15
• Teletext "DOS" (TXT) .....	Service Manual TVR 2-16
<b>Adjustment Procedures</b> .....	<b>3-1...3-6</b>
Location of Adjustment Controls .....	Service Manual TVR 3-1
Power Chassis (PLSP) .....	Service Manual TVR 3-5
Alteration Adjustment Procedures .....	1-4
Tube PCB .....	Service Manual TVR 3-5
Alteration Adjustment Procedures .....	1-4
Signal Chassis (PSSP2) .....	Service Manual TVR 3-5
• TV Signal Electronics (TV) .....	Service Manual TVR 3-5
• Keyboard Control Unit (CO) .....	Service Manual TVR 3-5
• Deck Control / Deck Electronic (DE) ....	Service Manual TVR 3-6
• Frontend 2 (TU2) .....	Service Manual TVR 3-6
• Video/Chroma (VS) .....	Service Manual TVR 3-6
• Standard Sound (AL) .....	Service Manual TVR 3-6
<b>Layout of the PCBs and Circuit Diagrams</b> .....	<b>4-1...4-72</b>
Wiring Diagrams .....	4-1
Block Circuit Diagrams .....	4-7
Power Chassis (GSPD) .....	4-16
Power Switch Board .....	Service Manual TVR 4-18
Tube PCB .....	4-27
Tape Deck Sensor Panel .....	Service Manual TVR 4-46
Signal Chassis (KSMD/KSPD) .....	4-31
• Keyboard Control Unit (CO) .....	4-43
• TV Signal Electronics (TV) .....	4-49
• Frontend 2 (TU2) .....	4-52
• Teletext "DOS" (TXT) .....	Service Manual TVR 4-58
• IN/OUT (IO) .....	4-55
• Video/Chroma (VS) .....	4-59
• Standard Sound (AL) .....	4-62
• Deck Control / Deck Electronic (DE) .....	4-63
Socket Board (BUPI) .....	Service Manual TVR 4-68
Head Amplifier Board (OHA) .....	Service Manual TVR 4-69
• Headwheel Motor Control .....	Service Manual TVR 4-70
• Head Amplifier .....	Service Manual TVR 4-71
<b>Drive Mechanism</b> .....	<b>5-1...5-12</b>
Test Equipment / Jigs .....	Service Manual TVR 5-1
Service Instructions .....	Service Manual TVR 5-2
Replacement of Tape Deck Components .....	Service Manual TVR 5-3
Adjustments .....	Service Manual TVR 5-10
<b>Spare Parts Lists</b> .....	<b>E-1...E-16</b>

## Allgemeiner Teil / General Section

## Geräteübersicht / TVR Overview

	Ergänzung / Supplement	Service Manual Sach-Nr./Part No. 72010-524.95		TVR 3701 SV	TVR 3705	TVR 3710	TVR 3710 GB	TVR 3720	TVR 3720 GB	TVR 5100	TVR 5100 GB	TVR 5500	
<b>Bausteinübersicht</b> <b>Table of Modules</b>		S./P 4-18	Netzschalterplatte / Power Switch Board							●	●	●	
	S./P 4-16		Leistungs-Chassis / Power PCB (GSPD)	●	●	●	●	●	●	●	●	●	
	S./P 4-27		Bildrohrplatte / Tube PCB	●	●	●	●	●	●	●	●	●	
		S./P 4-46	Laufwerkplatte-Sensoreinheit / Tape Deck Sensor Panel	●	●	●	●	●	●	●	●	●	
	S./P 4-37 S./P 4-46 S./P 4-49 S./P 4-52	S./P 4-58	Signal-Chassis (KSPD) • Bedieneinheit / Keyboard Control Unit (CO) • TV-Signalelektronik / TV Signal Electronics (TV) • Empfangseinheit 2 / Frontend 2 (TU2)		●	●	●	●	●	●	●	●	
	S./P 4-57 S./P 4-59 S./P 4-62 S./P 4-63		• Teletext(TXT) • IN/OUT (IO) • Video/Chroma (VS) • Standardton / Standard Sound (AL) • Laufwerksteuerung / Deck Control/Deck Electronic (DE)										
	S./P 4-31 S./P 4-43 S./P 4-49 S./P 4-52		S./P 4-58	Signal-Chassis (KSMD) • Bedieneinheit / Keyboard Control Unit (CO) • TV-Signalelektronik / TV Signal Electronics (TV) • Empfangseinheit 2 / Frontend 2 (TU2)	●								
	S./P 4-55 S./P 4-59 S./P 4-62 S./P 4-63			• Teletext(TXT) • IN/OUT (IO) • Video/Chroma (VS) • Standardton / Standard Sound (AL) • Laufwerksteuerung / Deck Control/Deck Electronic (DE)									
		S./P 4-68	Buchsenplatte / Socket Board (BUPI)	●	●	●	●	●	●	●	●	●	●
		S./P 4-69	Kopfverstärker / Head Amplifier (OHA)	●	●	●	●	●	●	●	●	●	●
<b>Feature-Übersicht</b> <b>Table of Features</b>	CCIR, B/G/H - PAL			●	●	●		●		●		●	
	CCIR, I - PAL						●		●		●		
	CCIR, B/G/L/L' - SECAM												
	NTSC-Wiedergabe / NTSC Playback			●	●	●	●	●	●	●	●	●	
	2 Empfangseinheiten / Frontend (Tuner)							●	●		●	●	
	Bildschirmdiagonale 37cm (sichtbares Bild: 34cm) / Screen diagonale 37cm (visible picture: 34cm)			●	●	●	●	●	●				
	Bildschirmdiagonale 51cm (sichtbares Bild: 48cm) / Screen diagonale 51cm (visible picture: 48cm)									●	●		
	Bildschirmdiagonale 55cm (sichtbares Bild: 51cm) / Screen diagonale 55cm (visible picture: 51cm)											●	
	Ablenkwinkel 90° / Deflection angle 90°			●	●	●	●	●	●	●	●	●	
	High Speed Drive (HSD)					●						●	
	2-Kopf/Head			●	●	●	●	●	●	●	●	●	
	Normalplay			●	●	●	●	●	●	●	●	●	
	Longplay						●		●		●		
	VISS			●	●	●	●	●	●	●	●	●	
	ATS euro plus			●	●	●	●	●	●	●	●	●	
	"On Screen Display" (OSD)			●	●	●	●	●	●	●	●	●	
	VPS			●		●	●	●	●	●		●	
	PDC						●		●	● <sup>1)</sup>	●		
	Teletext "DOS"					●	●	●	●	●	●	●	
	SHOW VIEW			●	●	●		●		●		●	
	VIDEO Plus						●		●		●		
	6 Timer			●	●	●	●	●	●	●	●	●	
69 Programme + 1 AV			●	●	●	●	●	●	●	●	●		
Kopfhörerbuchse / Headphone Jack			●	●	●	●	●	●	●	●	●		
EURO-AV-Buchse / Socket			●	●	●	●	●	●	●	●	●		
LINE/CV-Buchsen / Sockets					●	●	●	●			●		

1) nur für Version / only for version G.CD 4352

## Entwicklungscode / Produktionscode

Technische Weiterentwicklungen oder Änderungen sind wie folgt auf dem Typenschild ersichtlich:

- Produktionscode – geringfügige Änderungen
- Entwicklungscode – gravierende Änderungen

## Evolution Code / Production Code

Technical advance developments or changes are to be seen from the type plate as follows:

- Production code – minor changes
- Evolution code – important changes

**GRUNDIG**

**TYPE** TVR 3720  
**G.CF 78-75** TVP763  
 VN 37 037 SER.NR. 123456  
 220-240V ~ 50 Hz 48 Watt  
 (D.M.26-3-1992)  
 N.?????/?????  
 S AA 39 916  
 23 kV

Gerätetyp / Type of product  
 Fernbedienung / Remote Control  
 Seriennummer / Serial number  
 Geräte-Optionscode / Option Code

Bestellnummer / Order number  
 Produktionsdatum / Production date  
 Produktionscode / Production code  
 Entwicklungscode / Evolution code

SHOWVIEW IS A TRADEMARK APPLIED FOR BY GEMSTAR DEVELOPMENT CORP. THE SHOWVIEW IS MANUFACTURED UNDER LICENSE FROM GEMSTAR DEVELOPMENT CORPORATION.

EIGENSICHERE KATHODENSTRALHROHRE NACH ANLAGE III DER RONTGENVERORDNUNG. BESCHLEUNIGUNGSSPANNUNG 23 kV, 0,6 mA.  
 STACCARE LA SPINA DI RETE PRIMA DI TOGLIERE IL PANNELLO POSTERIORE. PROTEGGERE L'APPARECCHIO DALL'UMIDITA. ATTENZIONE ALTA TENSIONE 23 kV, 0,6 mA.

## Änderungen Abgleich

### zu Punkt 1. Leistungs-Chassis (GSPD)

Abgleichvorgang	
Spannung mit R3358 (U <sub>bat</sub> ) entsprechend dem Gerät einstellen.	
TVR37...	101,5V
TVR51...	120,3V
TVR55...	84,0V

## Alteration Adjustment Procedures

### to point 1. Power Chassis (GSPD)

Alignment Procedure	
With R3358 (U <sub>bat</sub> ) set the following voltage according to the different models.	
TVR37...	101,5V
TVR51...	120,3V
TVR55...	84,0V

### zu Punkt 2. Bildrohrplatte

Vorbereitung	
Folgende Einstellungen im betriebswarmen Gerätezustand (ca. 15 Minuten nach dem Einschalten) durchführen:	
– Kontrast "84% = OSD-Skala-Maximum minus 4 Teilstriche"	
– Helligkeit "50%"	
– Schirmgitterregler (SCREEN) "Linksanschlag"	
– R3919 und R3921 "Mittelstellung"	
– Schwarztestbild an der AV-Buchse einspeisen	
– Entsprechend dem Gerät jeweils folgende Werte mit den Cutoff-Reglern R3920, R3918 und R3917 an den R-, G- und B-Eingängen der Bildröhre einstellen:	
TVR 37...:	115V
TVR 51... / TVR 55...:	140V

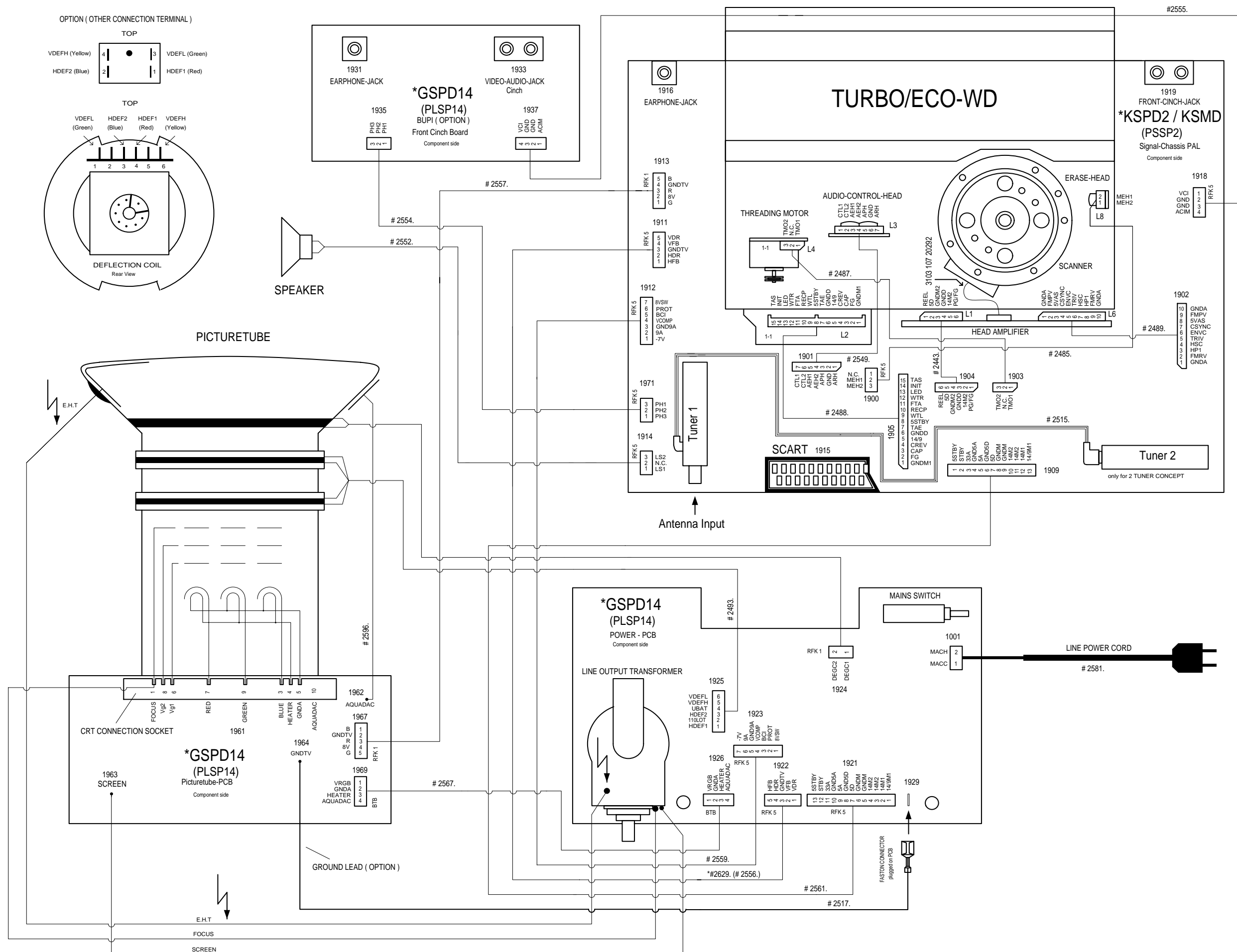
### to point 2. Tube PCB

Preparation	
Allow the set to warm up (for approx. 15 minutes after switching on) and carry out the following adjustments:	
– Contrast "84% = maximum minus 4 divisions on OSD scale"	
– Brightness "50%"	
– Screen grid adjustment control (SCREEN) "left stop"	
– R3919, R3921 "center position"	
– Feed a black test pattern into the AV socket	
– With the cutoff controls R3920, R3918 and R3917, set the following levels at the R, G, and B inputs of the picture tube dependent on the TVR model:	
TVR 37...:	115V
TVR 51... / TVR 55...:	140V

# Platinenabbildungen und Schaltpläne / Layout of the PCBs and Circuit Diagrams

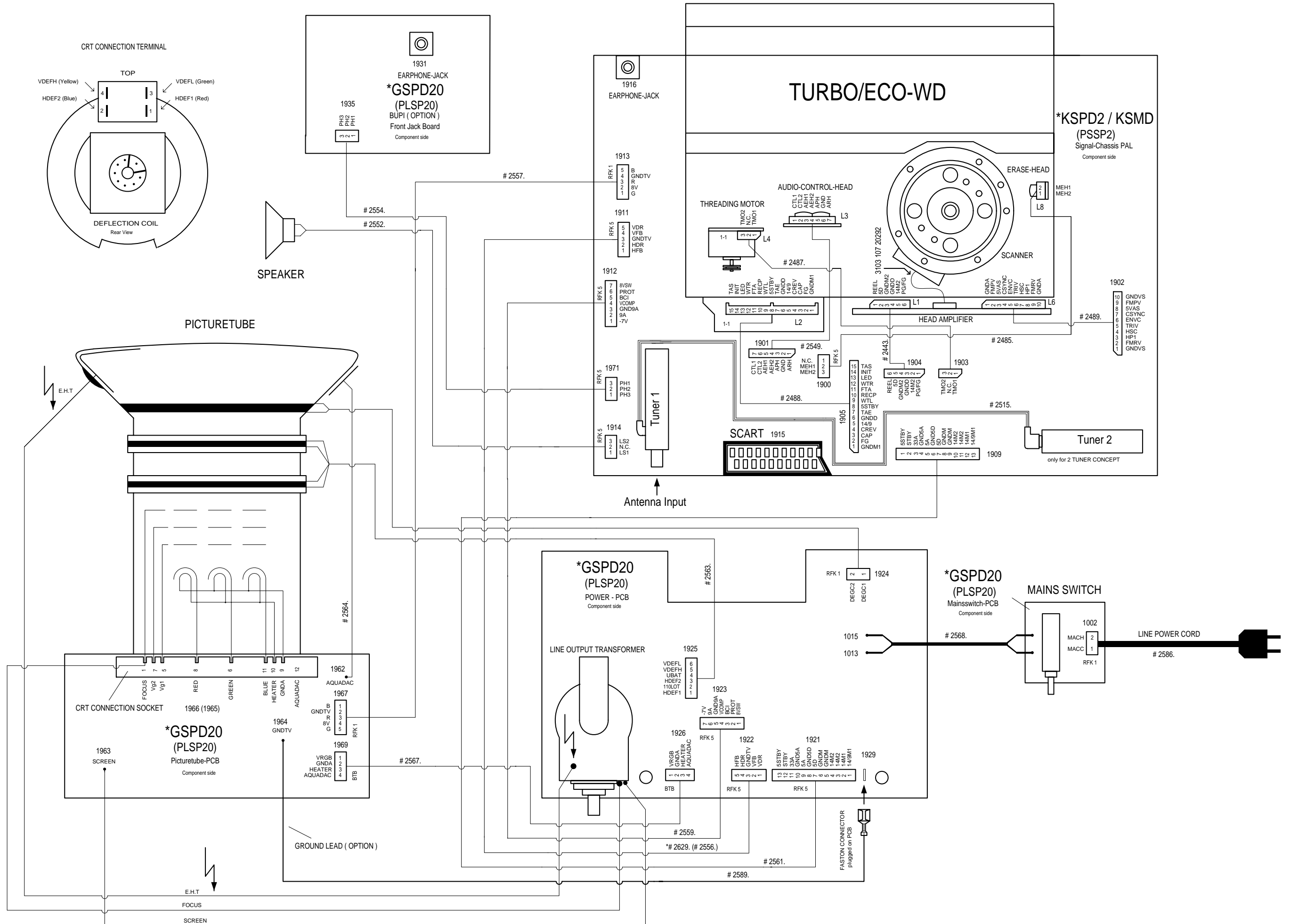
## Verdrahtungsplan / Wiring Diagram TVR 37...

Reference	DE.....P 4-63	KSM.....P 4-31	Tube PCB...P 4-27
AL.....P 4-62	IO.....P 4-65	KSPD.....P 4-37	TV.....P 4-49
CO.....P 4-43	GSPD.....P 4-16	TU2.....P 4-52	VS.....P 4-59



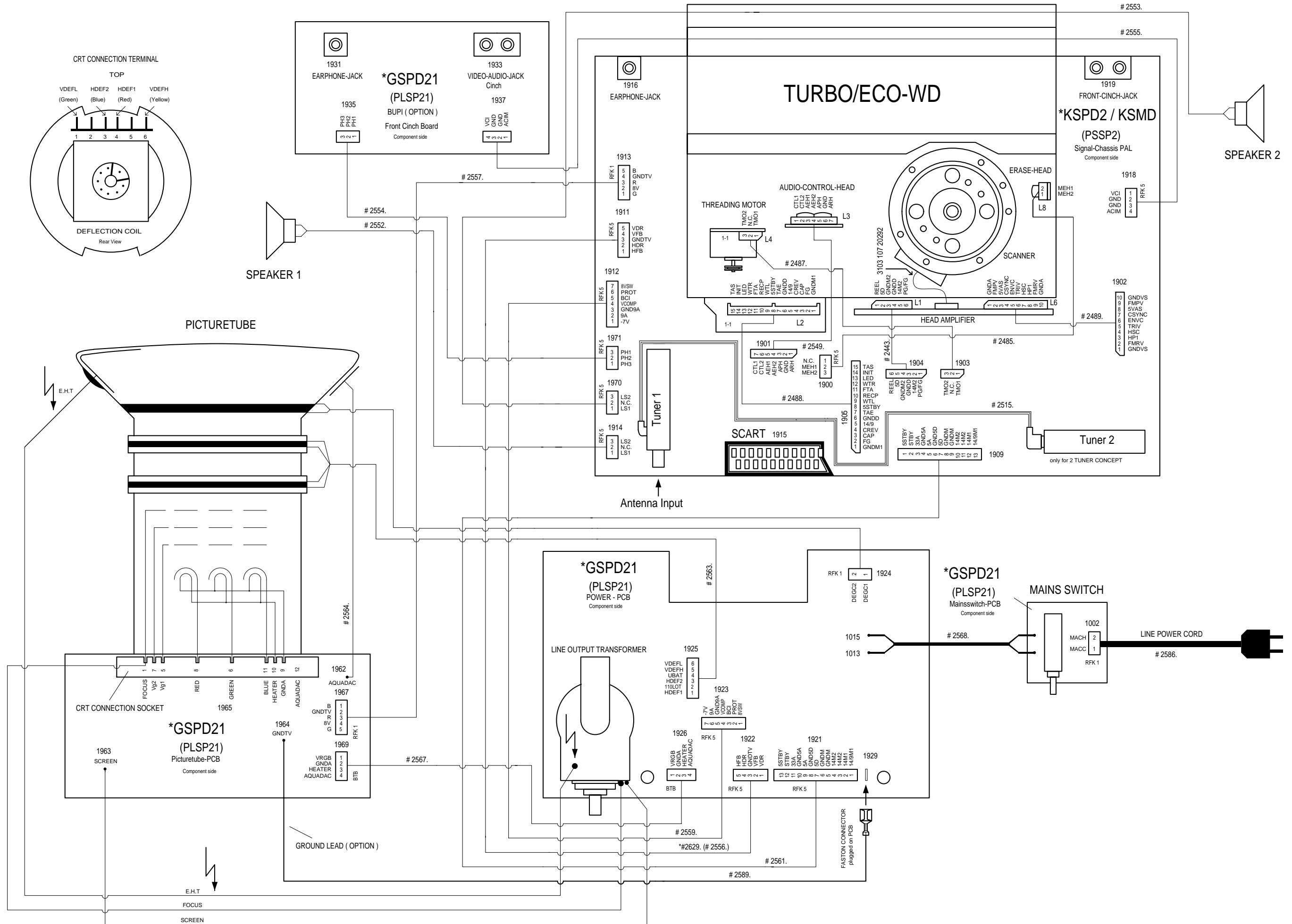
Verdrahtungsplan / Wiring Diagram TVR 51...

Reference	DE.....P 4-63	KSMD.....P 4-31	Tube PCB...P 4-27
AL.....P 4-62	IO.....P 4-55	KSPD.....P 4-37	TV.....P 4-49
CO.....P 4-43	GSPD.....P 4-16	TU2.....P 4-52	VS.....P 4-59



Verdrahtungsplan / Wiring Diagram TVR 55...

Reference	DE.....P 4-63	KSMD.....P 4-31	Tube PCB...P 4-27
AL.....P 4-62	IO.....P 4-55	KSPD.....P 4-37	TV.....P 4-49
CO.....P 4-43	GSPD.....P 4-16	TU2.....P 4-52	VS.....P 4-59



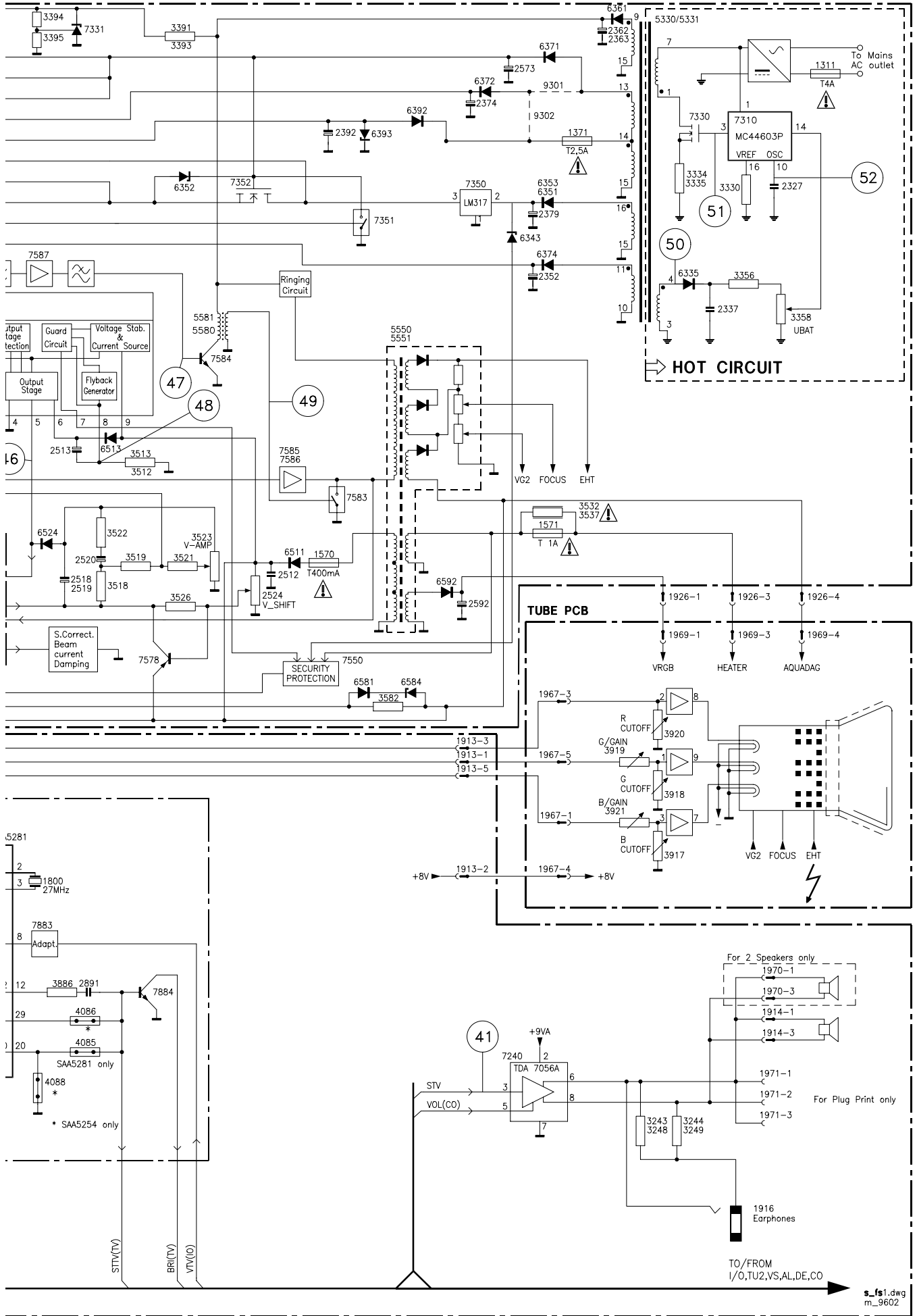






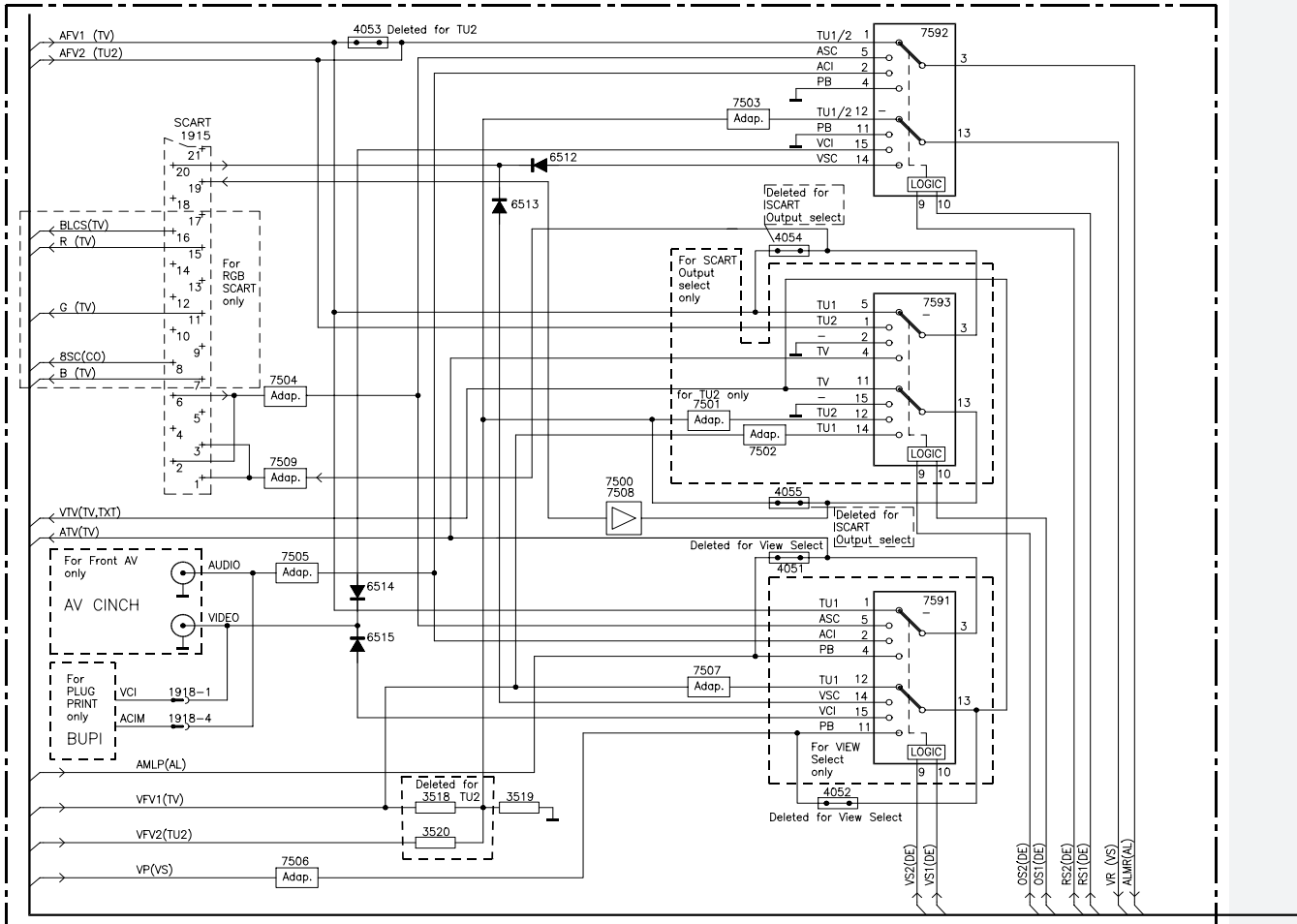
Reference	DE.....P 4-63	KSM D.....P 4-31	Tube PCB...P 4-27
AL.....P 4-62	IO.....P 4-55	KSPD.....P 4-37	TV.....P 4-49
CO.....P 4-43	GSPD.....P 4-16	TU2.....P 4-52	VS.....P 4-59

**AND LARGE SIGNAL PROCESSING (GSPD)**

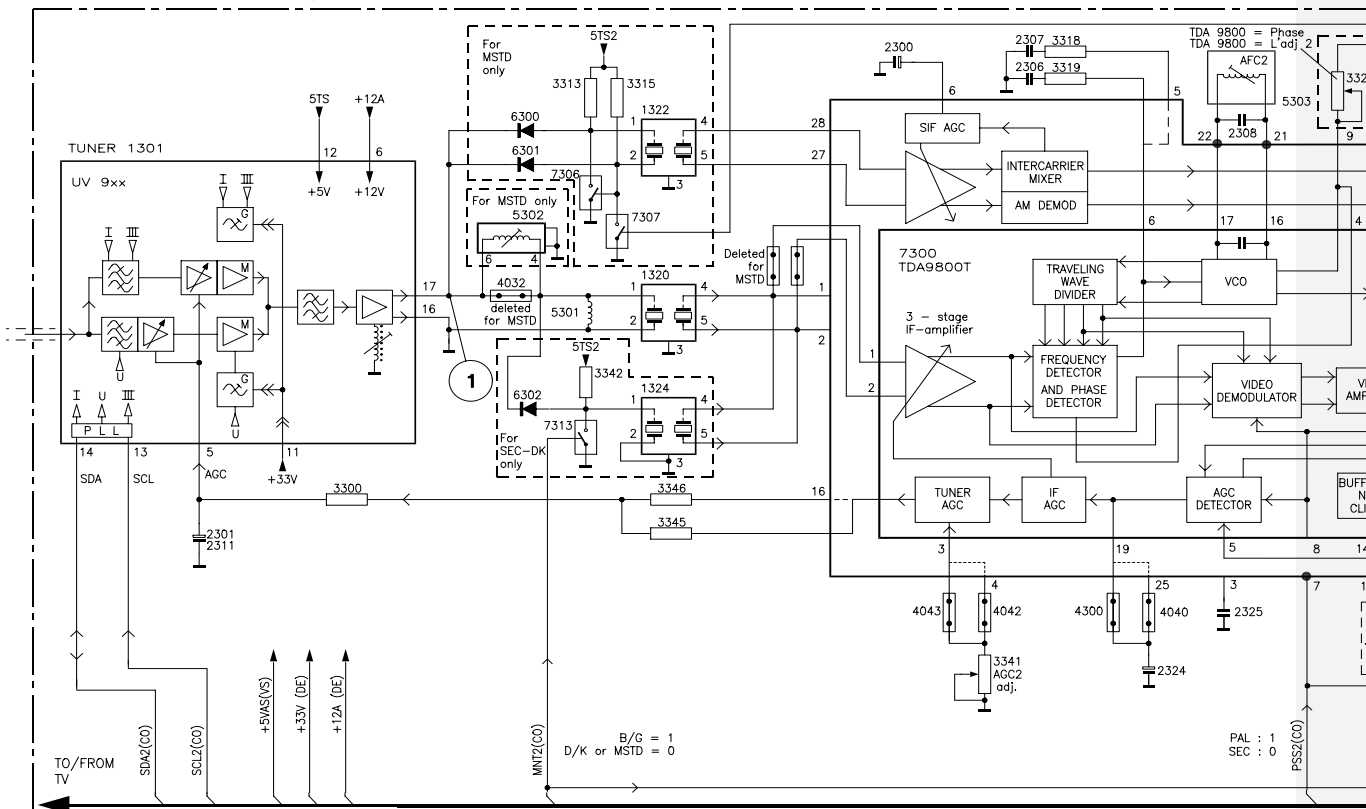


# Blockschaltplan / Block Circuit Diagram (Video-Analog)

I/O-PART - Signal-Chassis

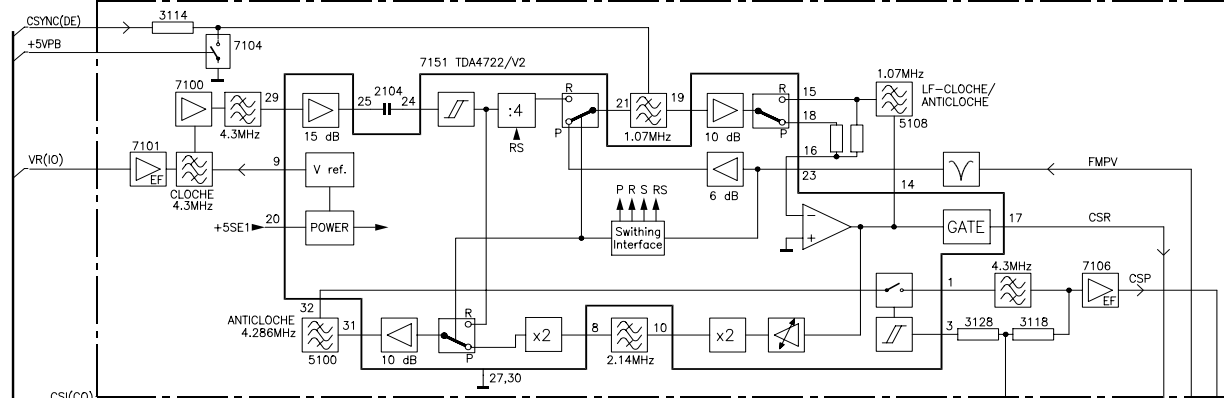


TUNER 2 - OPTION (TU 2) - Signal-Chassis

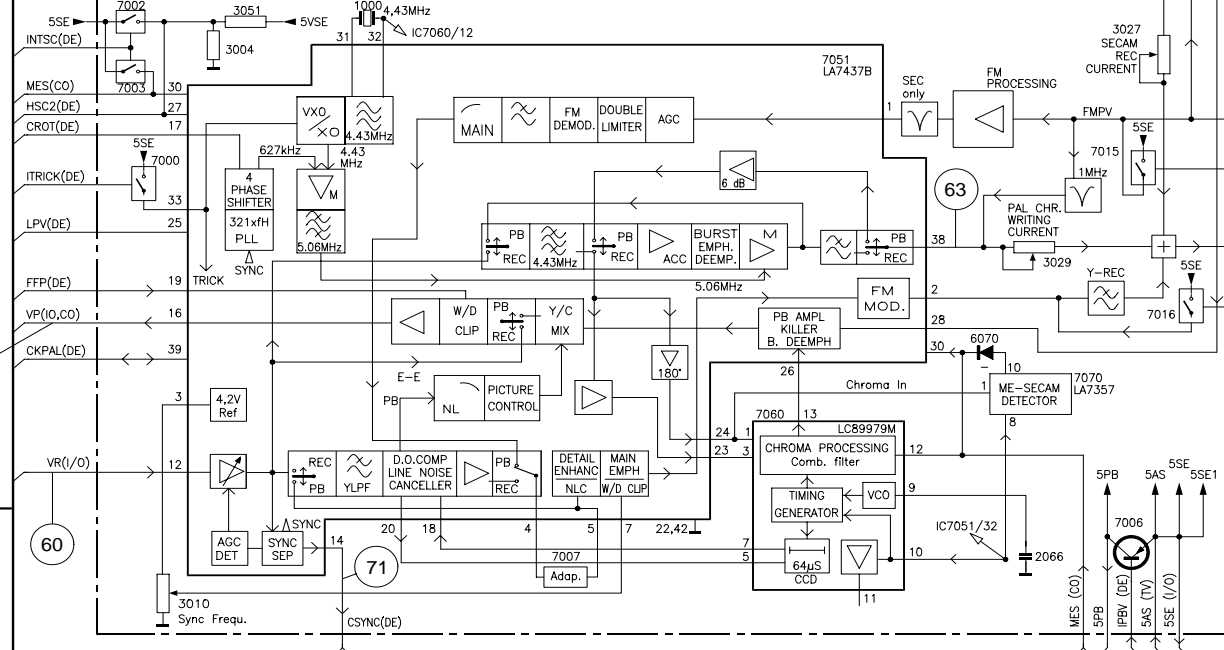


Reference	DE.....P 4-63	KSM D.....P 4-31	Tube PCB...P 4-27
AL.....P 4-62	IO.....P 4-65	KSPD.....P 4-37	TV.....P 4-49
CO.....P 4-43	GSPD.....P 4-16	TU2.....P 4-52	VS.....P 4-59

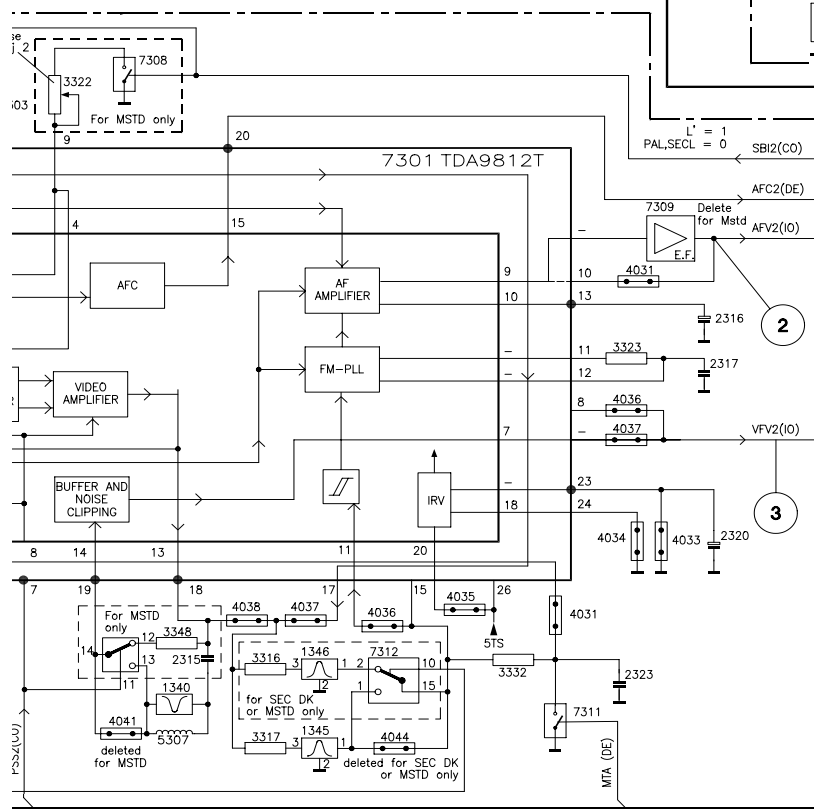
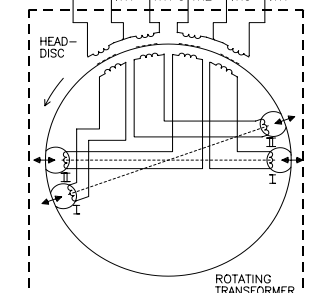
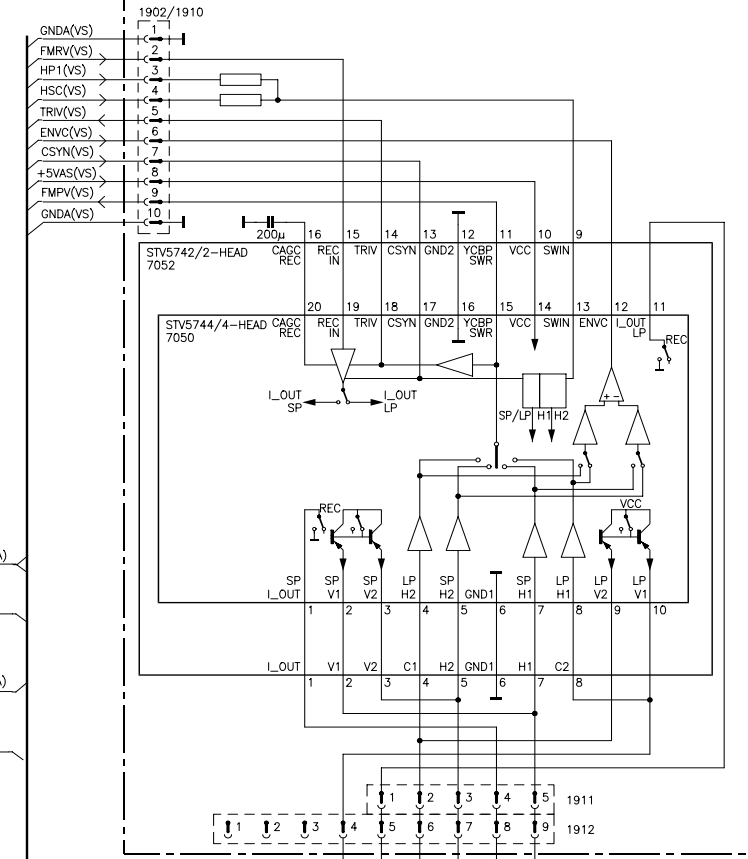
VS-PART SECAM CHROMA PROCESSING (MSTD only) - Signal-Chassis



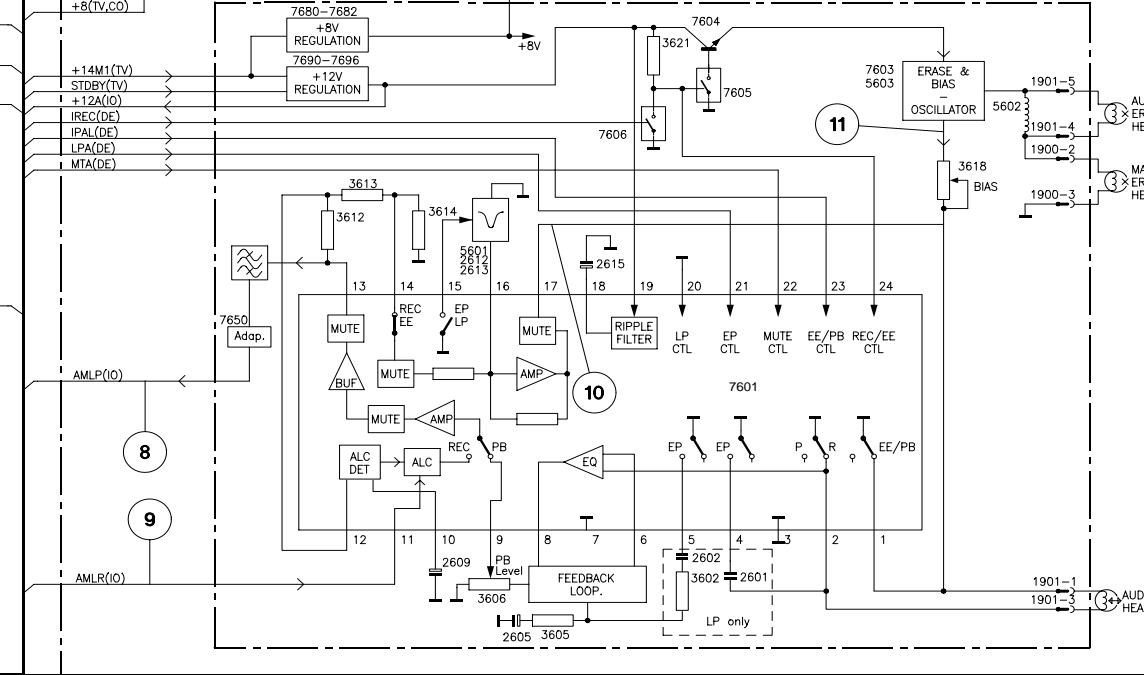
VS LUMINANCE & PAL CHROMA PROCESSING - Signal-Chassis



OHA - HEAD AMPLIFIER

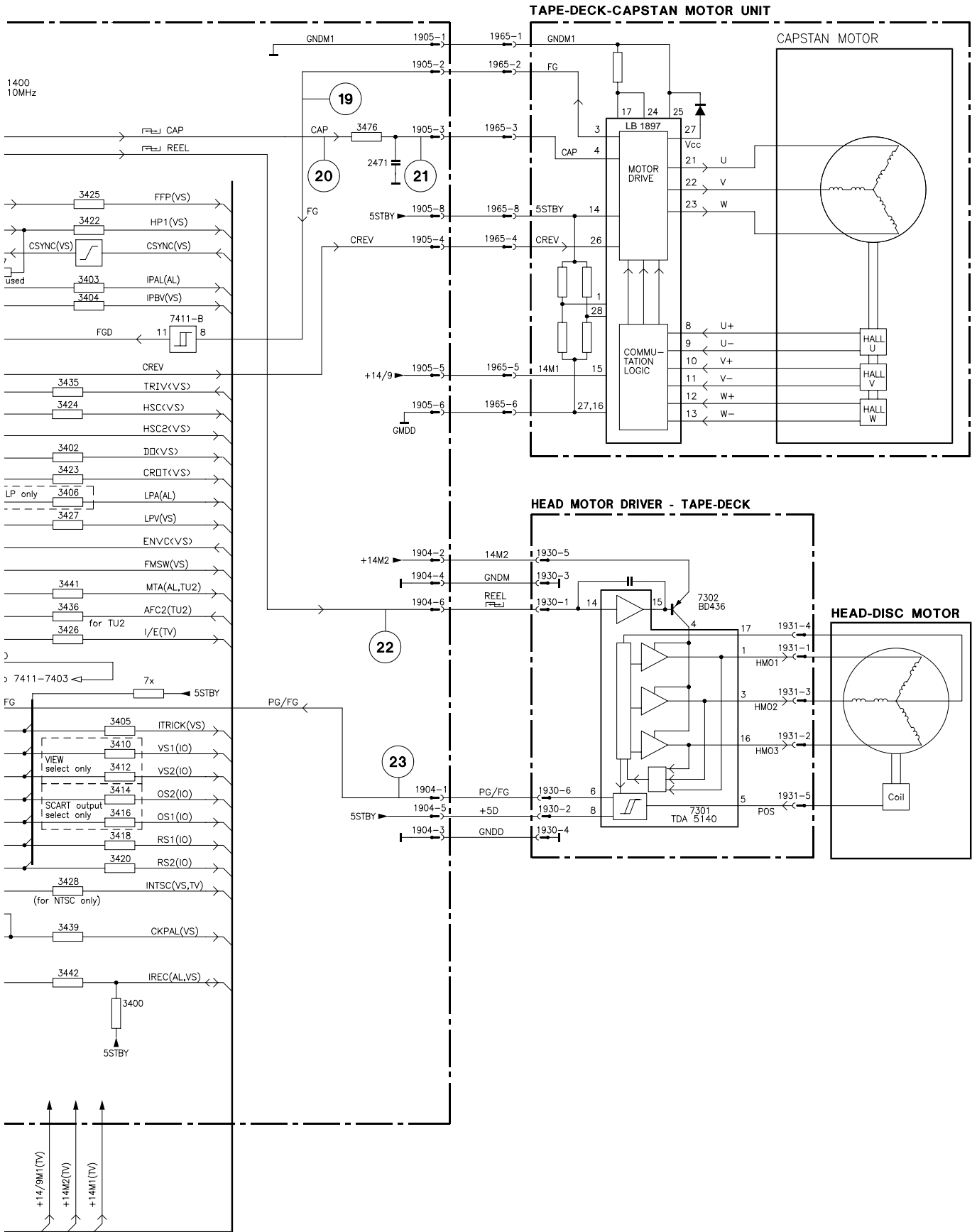


AL PART - Signal-Chassis



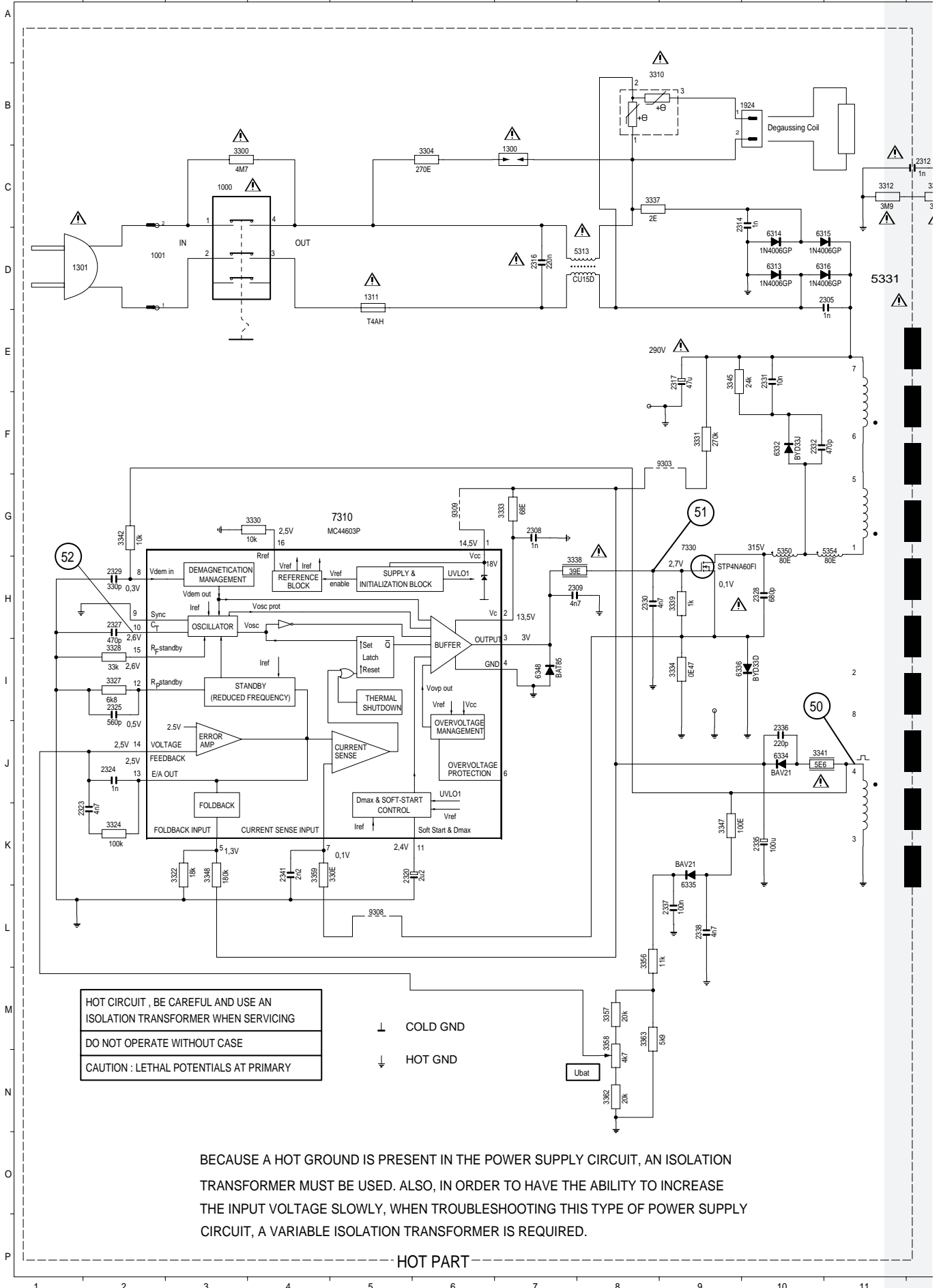


Reference	DE.....P 4-63	KSMD.....P 4-31	Tube PCB...P 4-27
AL.....P 4-62	IO.....P 4-55	KSPD.....P 4-37	TV.....P 4-49
CO.....P 4-43	GSPD.....P 4-16	TU2.....P 4-52	VS.....P 4-59

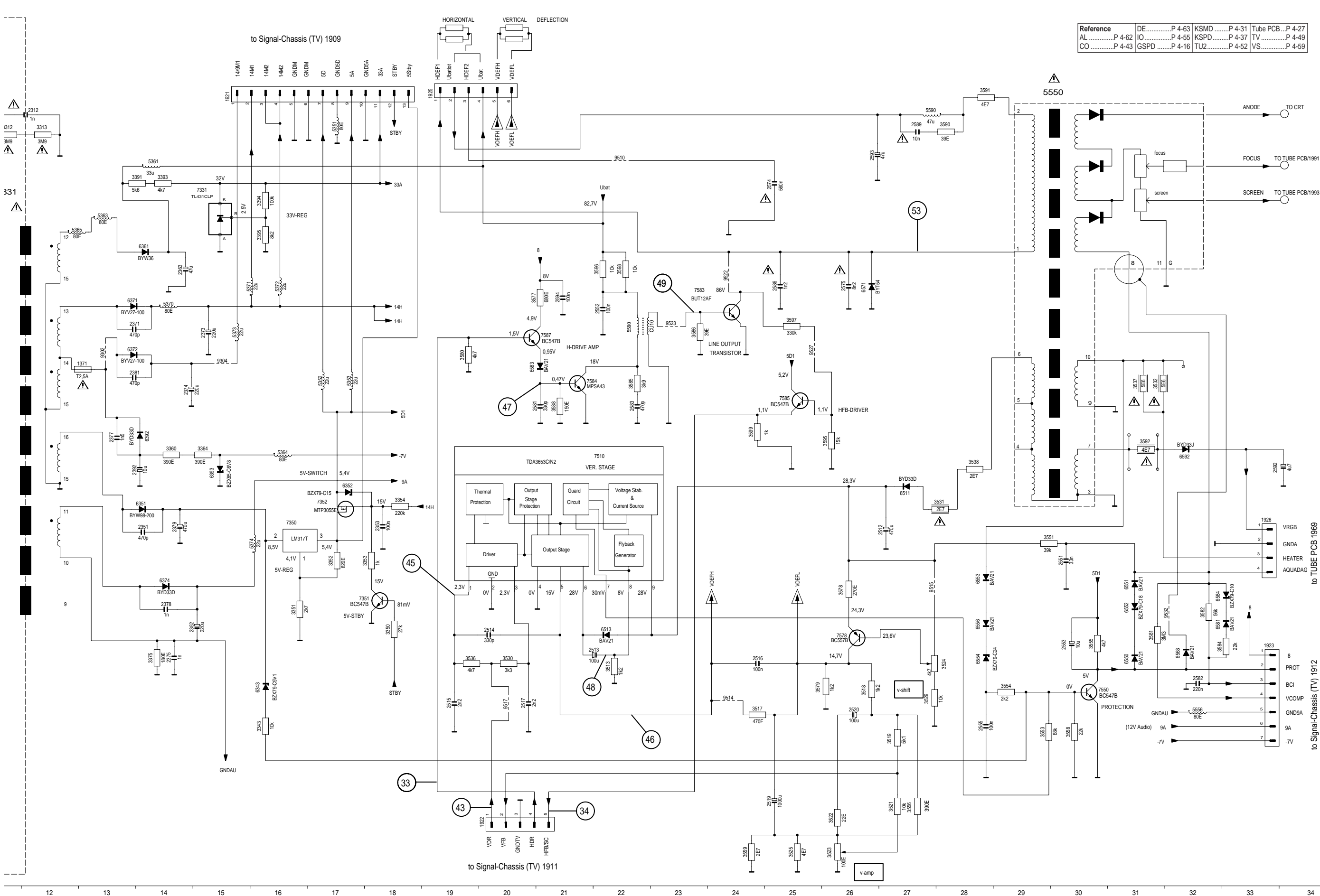


### Leistungs-Chassis / Power Chassis TVR 37... (GSPD)

1000 C 3	1921 B15	1926 J33	2314 C10	2324 J 2	2330 H 8	2337 L 9	2353 J18	2375 L14	2392 I14	2516 L24	2552 F22	2581 H21	2592 I33	3310 B 8	3327 I 2
1001 D 2	1922 O20	2305 D11	2316 D 7	2325 I 2	2331 E10	2338 L 9	2363 E14	2377 H13	2512 J27	2517 M20	2553 L30	2582 M32	2593 C26	3312 C11	3328 I 2
1300 C 7	1923 L33	2308 G 7	2317 E 9	2327 H 2	2332 F10	2341 K 4	2371 F13	2378 K14	2513 L22	2519 O25	2555 M28	2583 H22	2594 F21	3313 C12	3330 G 4
1311 D 5	1924 B 9	2309 H 7	2320 K 5	2328 H10	2335 K10	2351 J14	2373 G15	2379 J14	2514 L20	2520 M26	2574 D25	2586 F25	3300 C 3	3322 K 3	3331 F 9
1371 G13	1925 B19	2312 C12	2323 K 2	2329 H 2	2336 J10	2352 L15	2374 H14	2381 G13	2515 M19	2551 K30	2575 F26	2589 C27	3304 C 6	3324 K 2	3333 G 7



3327 I 2	3334 I 9	3342 G 2	3350 L 18	3356 L 8	3362 N 8	3393 D 14	3518 M 26	3524 L 28	3532 G 31	3553 N 29	3559 P 24	3581 L 31	3588 H 21	3596 E 22	5331 D 11	5354 G 11	5370 F 14	5550 B 29	6314 D 10	6335 L 9	6352 I 17	6392 H 14	6551 K 31	6568 L 32	6592 I 32	7351 K 18	7583 F 23	9303 F 9	9514 M 24	9527 G 25	
3328 I 2	3337 C 8	3343 M 16	3351 K 16	3357 M 8	3363 M 8	3394 D 16	3519 N 27	3525 P 25	3536 L 19	3554 M 29	3577 F 20	3582 K 32	3590 C 28	3597 F 25	5350 G 10	5361 D 14	5371 F 16	5556 M 32	6315 D 11	6336 I 10	6361 E 14	6393 I 15	6552 K 31	6571 F 26	6581 L 32	7310 G 5	7352 J 17	7584 G 21	9304 G 15	9515 K 27	9532 K 32
3330 G 4	3338 H 7	3345 E 9	3352 K 17	3358 M 8	3364 I 15	3395 E 16	3521 O 27	3529 M 27	3537 G 31	3555 L 30	3578 K 26	3584 L 32	3591 B 28	3598 E 22	5351 C 17	5363 E 13	5372 F 16	5580 F 22	6316 D 11	6343 M 16	6371 F 13	6511 I 27	6553 K 28	6581 L 32	7330 G 9	7510 I 22	7585 H 25	9308 L 5	9517 M 20		
3331 F 9	3339 H 9	3347 K 9	3353 K 18	3359 K 4	3375 L 14	3513 L 22	3522 O 26	3530 L 20	3538 I 28	3556 O 27	3579 M 25	3585 G 22	3592 I 31	3599 H 24	5352 G 17	5364 I 16	5373 G 15	5590 C 27	6332 F 10	6348 I 7	6372 G 13	6513 L 22	6554 L 28	6583 G 20	7331 D 15	7550 M 30	7587 G 21	9309 G 6	9522 F 24		
3333 G 7	3341 J 10	3348 K 3	3354 J 18	3360 I 14	3391 D 14	3517 M 24	3523 P 26	3531 J 28	3551 J 29	3558 N 30	3580 G 19	3586 G 23	3595 H 26	5313 D 8	5353 G 17	5365 E 12	5374 J 16	6313 D 10	6334 J 10	6351 J 14	6374 K 14	6550 L 31	6556 L 28	6584 K 32	7350 J 16	7578 L 26	9302 G 13	9510 D 22	9523 F 23		

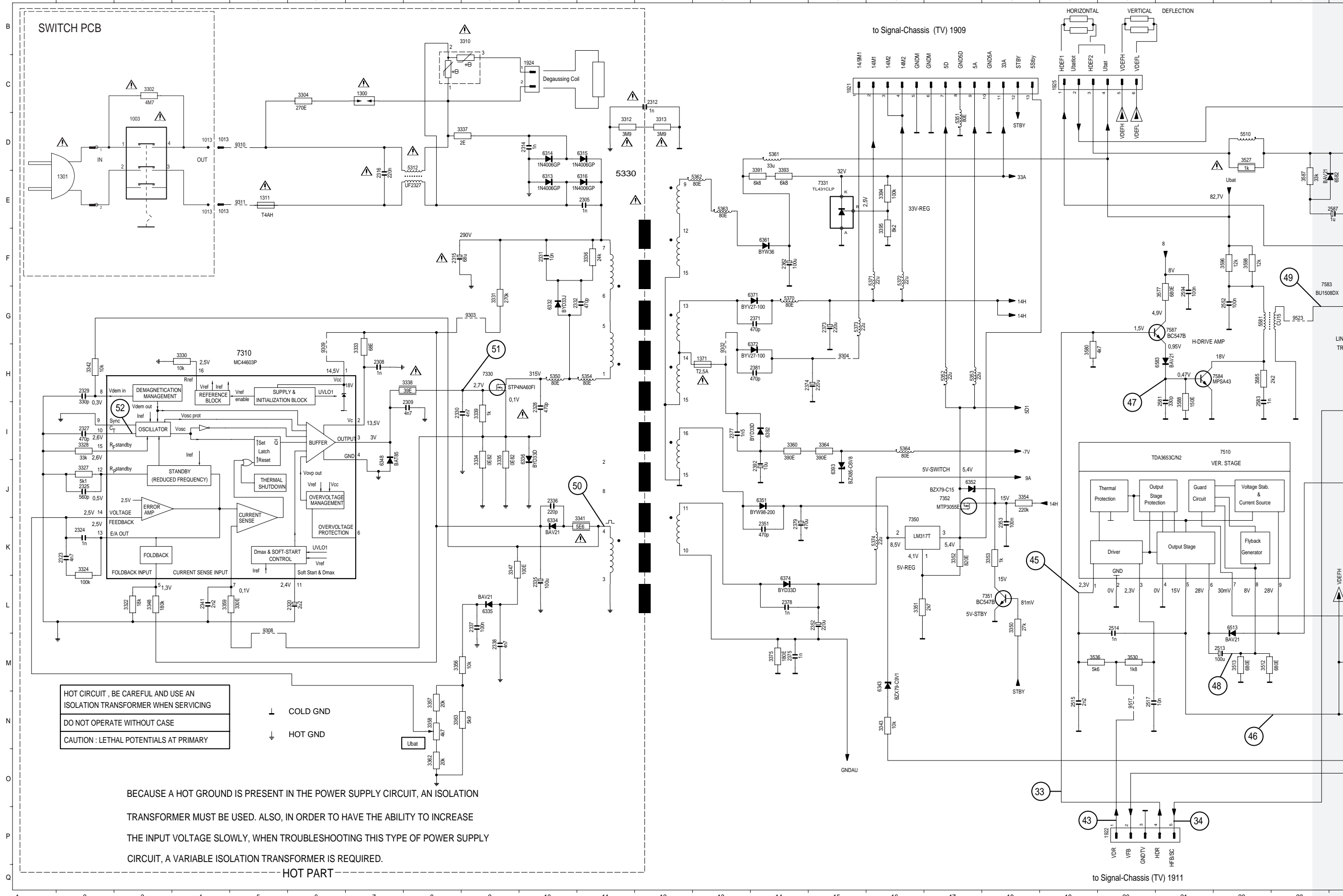


Reference	DE.....P 4-63	KSM D.....P 4-31	Tube PCB...P 4-27
AL.....P 4-62	IO.....P 4-55	KSPD.....P 4-37	TV.....P 4-49
CO.....P 4-43	GSPD.....P 4-16	TU2.....P 4-52	VS.....P 4-59



### Leistung-Chassis / Power Chassis TVR 51... (GSPD)

1013 D 2	1921 C 15	1926 K 33	2314 D 10	2324 K 2	2330 L 8	2337 L 9	2353 K 18	2375 M 14	2392 J 14	2516 M 24	2552 G 22	2581 H 21	2592 J 33	3312 D 11	3328 I 2	3335 I 9	3341 K 11	3350 L 18	3356 M 8	3362 O 8	3393 E 14	3514 N 24	3522 P 26	3529 N 27	3537 H 31	3555 M 30	3578 L 26	3585 H 22	3595 I 26	5312 D 8	5313 H 17	5376	
1013 E 2	1922 P 20	2305 E 11	2315 F 8	2325 J 2	2331 F 10	2338 M 9	2362 F 14	2377 I 13	2512 K 27	2517 N 20	2553 M 30	2582 M 32	2593 D 27	3313 D 12	3330 H 4	3336 F 11	3342 H 2	3351 L 16	3357 N 8	3363 N 8	3363 N 8	3394 E 16	3517 N 24	3523 P 26	3530 M 20	3538 I 28	3556 P 27	3579 M 26	3587 E 23	3596 F 22	5330 E 11	5354 H 11	5377
1300 C 7	1923 M 33	2308 H 7	2316 E 7	2327 I 2	2332 G 11	2341 L 4	2371 G 14	2378 L 14	2513 M 22	2519 O 25	2555 N 28	2583 H 22	2594 G 21	3322 L 3	3331 G 9	3337 D 9	3343 N 16	3352 K 17	3358 N 8	3364 I 15	3395 E 16	3518 M 26	3524 M 28	3531 J 28	3541 K 30	3558 N 30	3580 H 19	3588 H 21	3597 G 25	5350 H 10	5361 D 14	537	
1311 E 5	1924 C 10	2309 I 8	2323 L 6	2328 H 2	2335 L 10	2351 K 14	2373 G 15	2379 K 14	2514 L 20	2520 N 26	2573 E 24	2586 F 25	3304 C 6	3324 K 2	3333 H 7	3347 K 9	3353 K 18	3359 L 4	3375 M 14	3375 M 14	3512 M 22	3519 N 27	3525 P 25	3532 H 31	3553 M 29	3559 P 24	3582 L 32	3591 C 28	3598 F 22	5351 D 17	5362 E 13	537	
1371 H 13	1925 C 19	2312 C 12	2323 K 2	2329 H 2	2336 J 10	2352 L 15	2374 H 15	2381 H 14	2515 N 19	2551 K 30	2575 F 26	2587 E 24	3310 B 9	3327 J 2	3334 I 9	3339 I 9	3348 L 3	3354 J 18	3360 I 14	3391 E 14	3513 M 22	3521 O 27	3527 D 22	3536 M 19	3554 M 29	3577 G 21	3584 M 33	3592 I 31	3599 I 24	5352 H 17	5363 E 13	537	



HOT CIRCUIT, BE CAREFUL AND USE AN ISOLATION TRANSFORMER WHEN SERVICING  
DO NOT OPERATE WITHOUT CASE  
CAUTION : LETHAL POTENTIALS AT PRIMARY

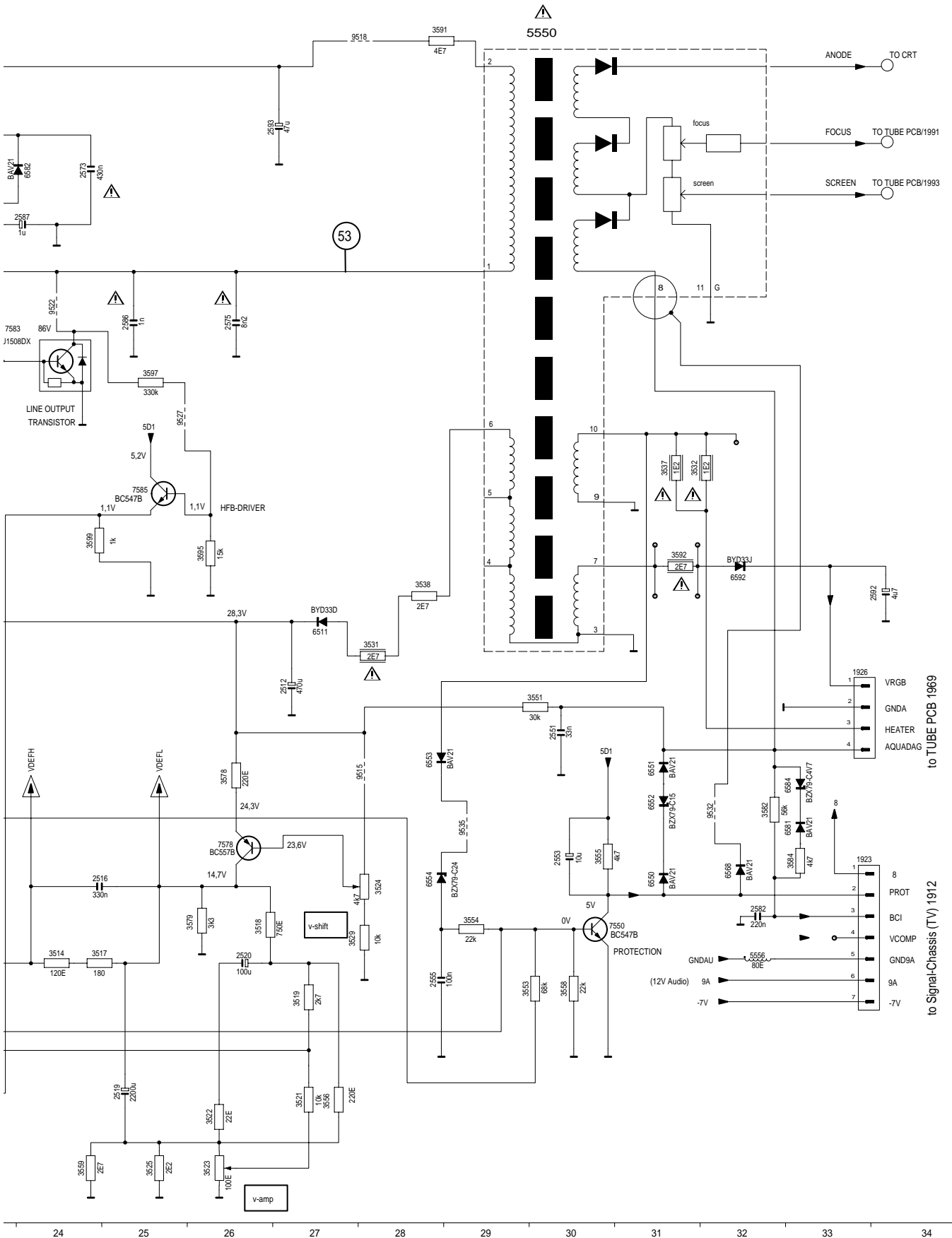
⬇ COLD GND  
⬇ HOT GND

BECAUSE A HOT GROUND IS PRESENT IN THE POWER SUPPLY CIRCUIT, AN ISOLATION TRANSFORMER MUST BE USED. ALSO, IN ORDER TO HAVE THE ABILITY TO INCREASE THE INPUT VOLTAGE SLOWLY, WHEN TROUBLESHOOTING THIS TYPE OF POWER SUPPLY CIRCUIT, A VARIABLE ISOLATION TRANSFORMER IS REQUIRED.

HOT PART

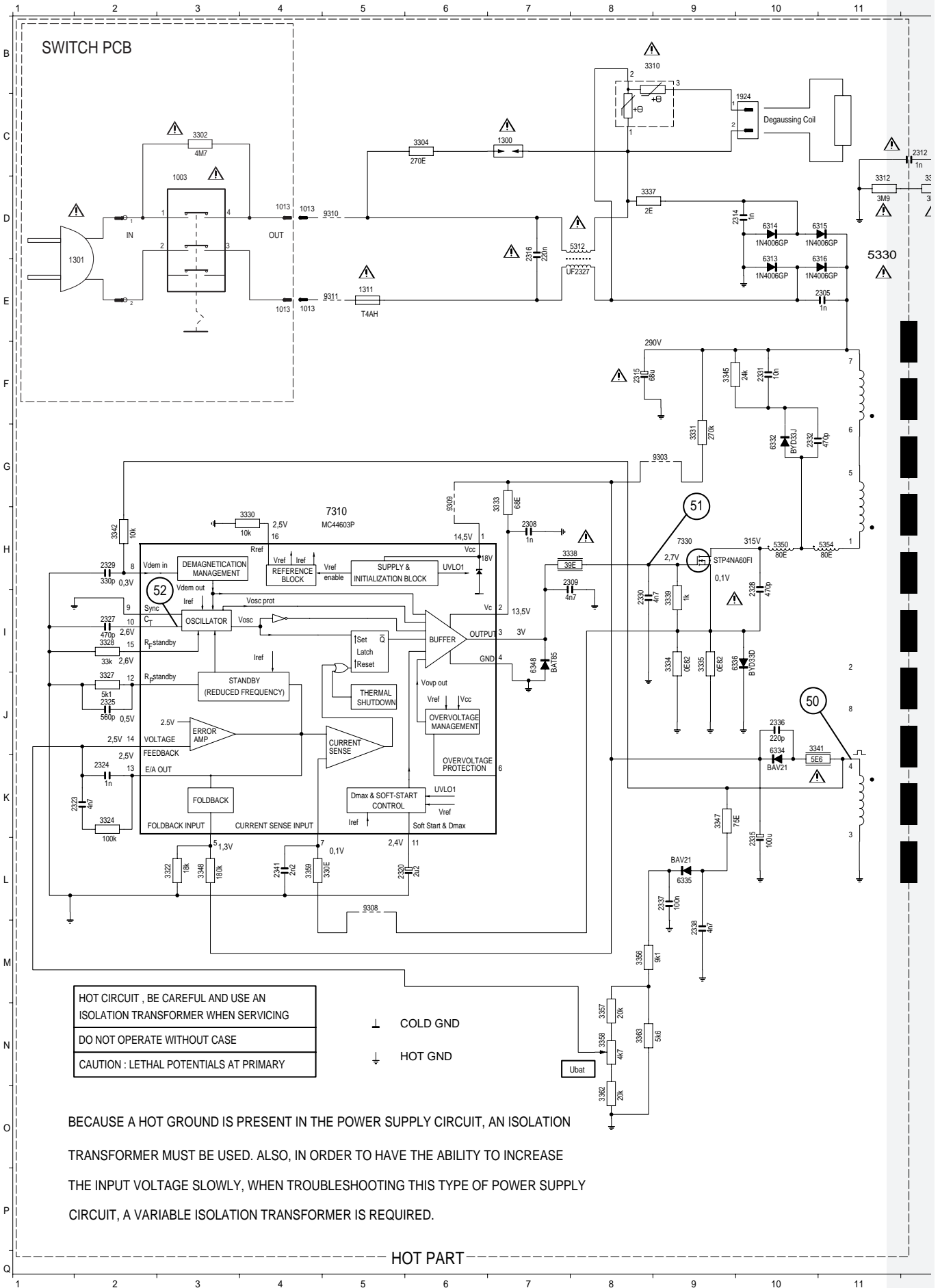
5364 I16	5374 K16	6313 E10	6334 K10	6351 J14	6374 L14	6550 M31	6568 M32	6592 I32	7351 L18	7583 F23	9303 G 9	9311 E 5	9523 G23
5370 G14	5510 D22	6314 D10	6335 L 9	6352 J17	6392 I14	6551 L31	6581 L32	7310 H 5	7352 J17	7584 H21	9304 H15	9515 L28	9527 G25
5371 F16	5550 C29	6315 D11	6336 I10	6361 F14	6393 J15	6552 L31	6582 E24	7330 H 9	7510 I22	7585 H25	9308 L 5	9517 N20	9532 L32
5372 F16	5556 N32	6316 E11	6343 M16	6371 G14	6511 J27	6553 L28	6583 H21	7331 E15	7550 M30	7587 G21	9309 H 6	9518 C28	9535 L29
5373 G15	5581 G22	6332 G10	6348 J 7	6372 H14	6513 L22	6554 M28	6584 L32	7350 K16	7578 M26	9302 H13	9310 D 5	9522 F24	
24	25	26	27	28	29	30	31	32	33	34			

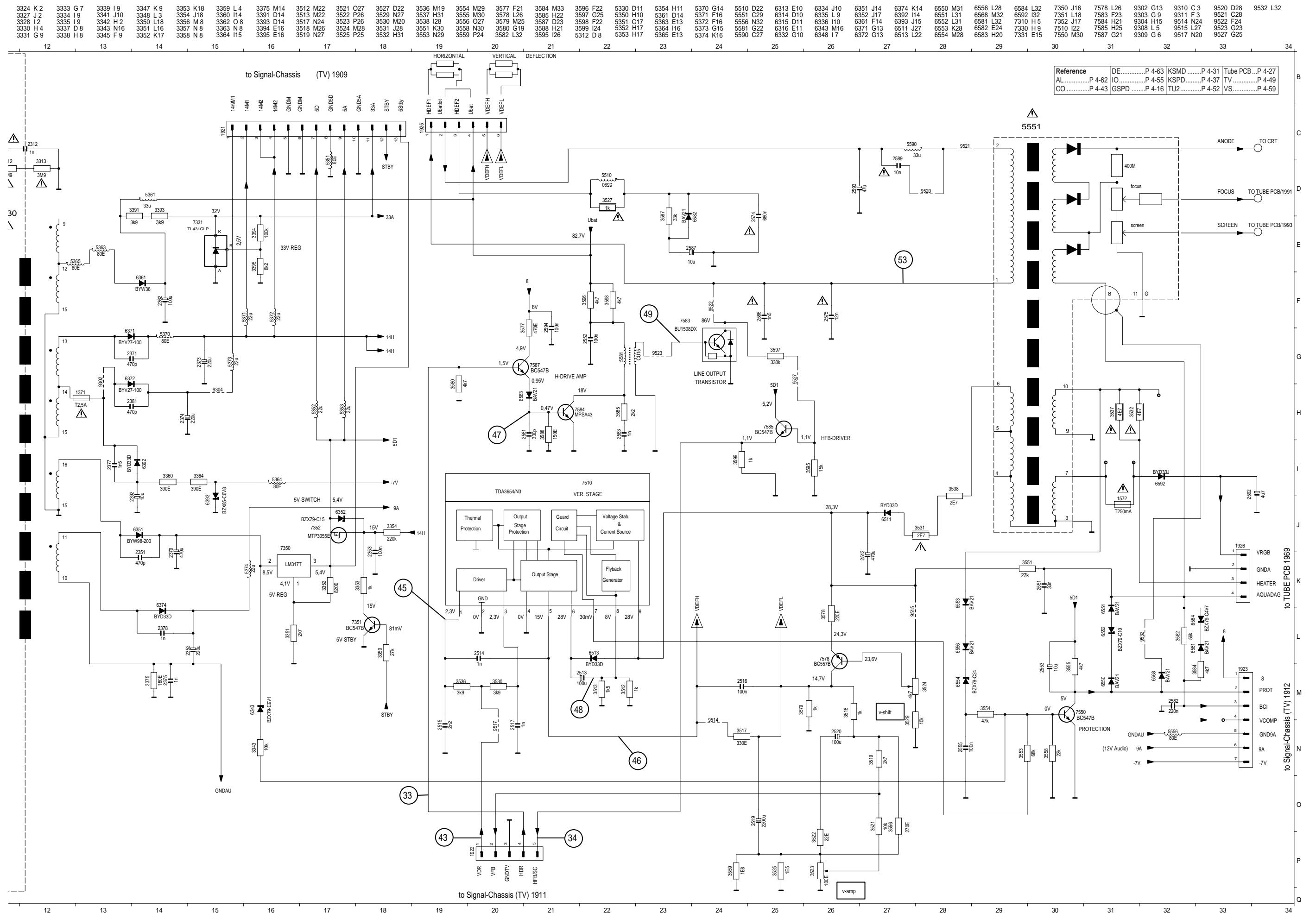
Reference	DE.....P 4-63	KSM D.....P 4-31	Tube PCB...P 4-27
AL.....P 4-62	IO.....P 4-55	KSPD.....P 4-37	TV.....P 4-49
CO.....P 4-43	GSPD.....P 4-16	TU2.....P 4-52	VS.....P 4-59



# Leistungs-Chassis / Power Chassis TVR 55... (GSPD)

1013 D 2	1572 J31	1925 C19	2312 C12	2323 K 2	2329 H 2	2336 J10	2352 L15	2374 H14	2381 H14	2515 N19	2551 K30	2575 F26	2587 E24	3304 C 6	3324 K:
1013 E 2	1921 C15	1926 J33	2314 D10	2324 K 2	2330 I 8	2337 L 9	2353 J18	2375 M14	2392 I14	2516 M24	2552 G22	2581 H21	2589 C27	3310 B 9	3327 J:
1300 C 7	1922 P20	2305 E11	2315 F 8	2325 J 2	2331 F10	2338 M 9	2362 F14	2377 I13	2512 K27	2517 N20	2553 M30	2582 M32	2592 I33	3312 D11	3328 I 2
1311 E 5	1923 M33	2308 H 7	2316 D 7	2327 I 2	2332 G10	2341 L 4	2371 G14	2378 L14	2513 M22	2519 O25	2555 N28	2583 H22	2593 D26	3313 D12	3330 H:
1371 H13	1924 C10	2309 H 8	2320 L 5	2328 H10	2335 L10	2351 K14	2373 G15	2379 J14	2514 L20	2520 N26	2574 E25	2586 F25	2594 F21	3322 L 3	3331 G







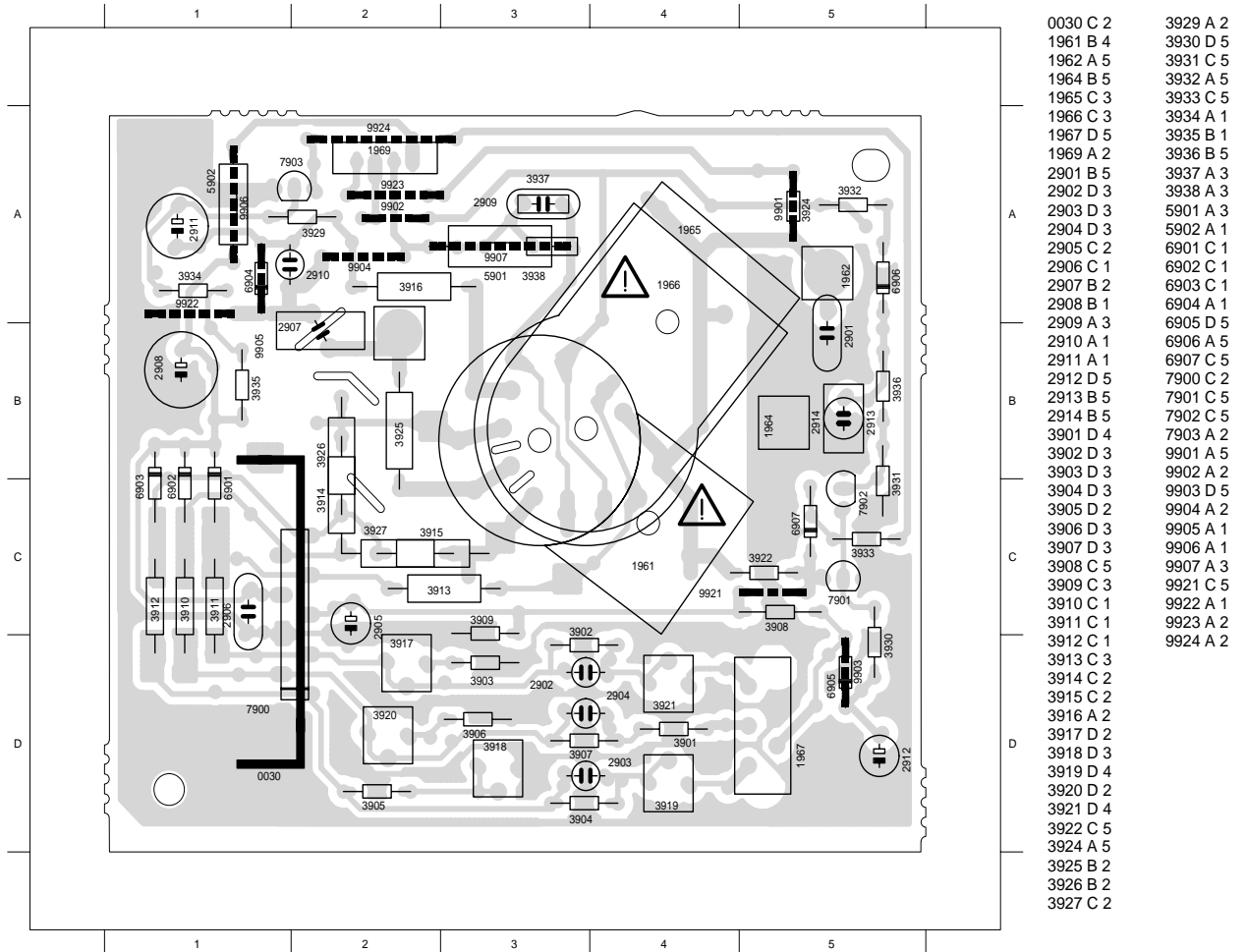


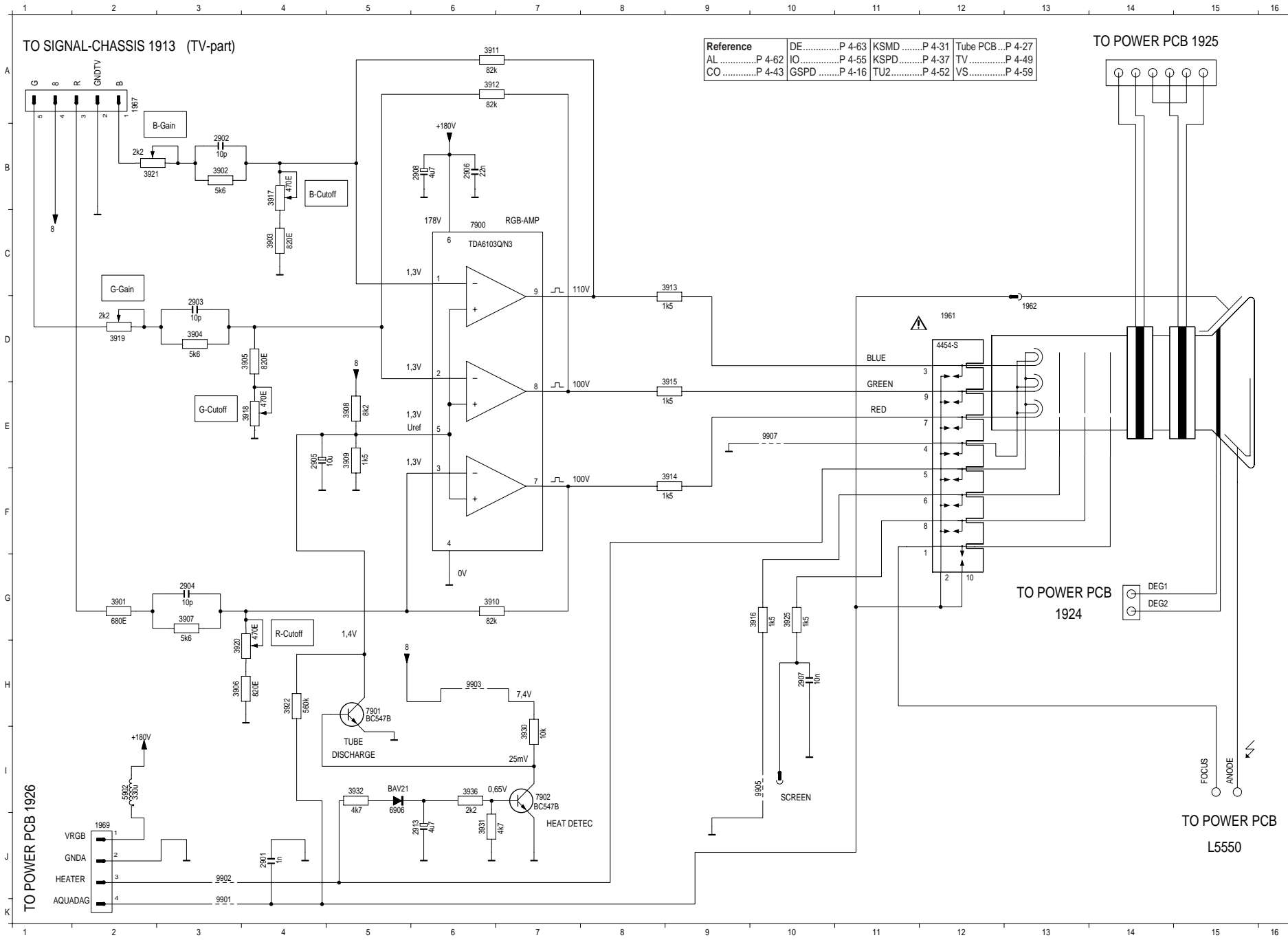
### Bildrohrplatte / Tube PCB

- 1967 → Signal-Chassis (1913)
- 1969 → Leistungs-Chassis / Power Chassis (1926)
- 1962 → Bildröhre / CRT

Reference	DE.....P 4-63	KSMD.....P 4-31	Tube PCB...P 4-27
AL.....P 4-62	IO.....P 4-55	KSPD.....P 4-37	TV.....P 4-49
CO.....P 4-43	GSPD.....P 4-16	TU2.....P 4-52	VS.....P 4-59

### Ansicht von der Bestückungsseite / View of Component Side





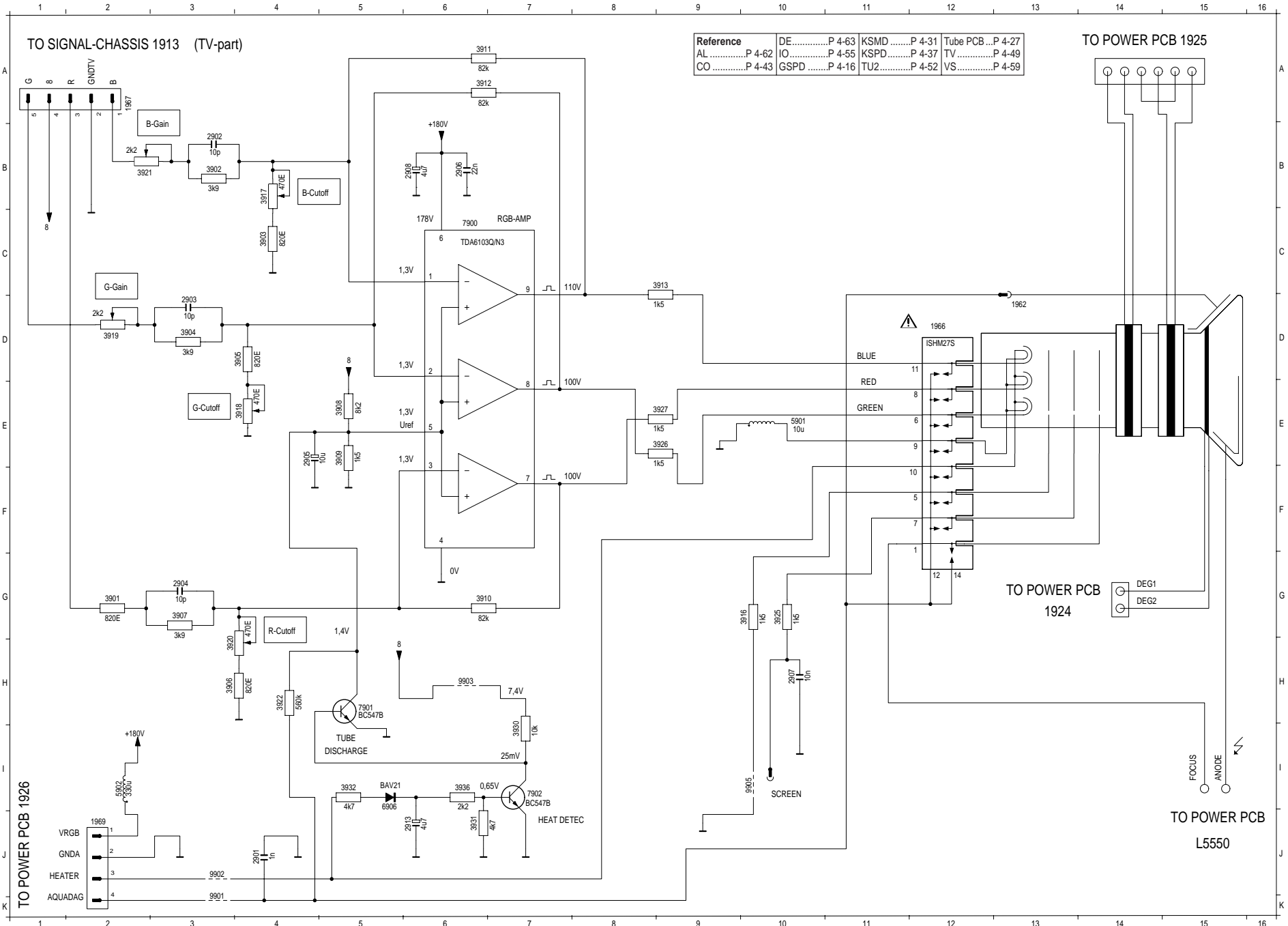
Reference	DE	KMSD	Tube PCB
AL	P 4-62	P 4-31	P 4-27
CO	P 4-43	P 4-16	P 4-49
		P 4-52	P 4-59

- 1961 D12
- 1962 D13
- 1967 A2
- 1969 J2
- 2901 J4
- 2902 B3
- 2903 D3
- 2904 G3
- 2905 E4
- 2906 B6
- 2907 H10
- 2908 B6
- 2913 I6
- 3901 G2
- 3902 B3
- 3903 C4
- 3904 D3
- 3905 D4
- 3906 H3
- 3907 G3
- 3908 E5
- 3909 E5
- 3910 G6
- 3911 A6
- 3912 A6
- 3913 C9
- 3914 E9
- 3915 E9
- 3916 G10
- 3917 B4
- 3918 E3
- 3919 D2
- 3920 H3
- 3921 B2
- 3922 H4
- 3925 G10
- 3930 I7
- 3931 J6
- 3932 I5
- 3936 I6
- 5902 I2
- 6906 J5
- 7900 C6
- 7901 H5
- 7902 I7
- 9901 K3
- 9902 J3
- 9903 H6
- 9905 I10
- 9907 E10

Bildrohrröhre / Tube PCB TVR 37...

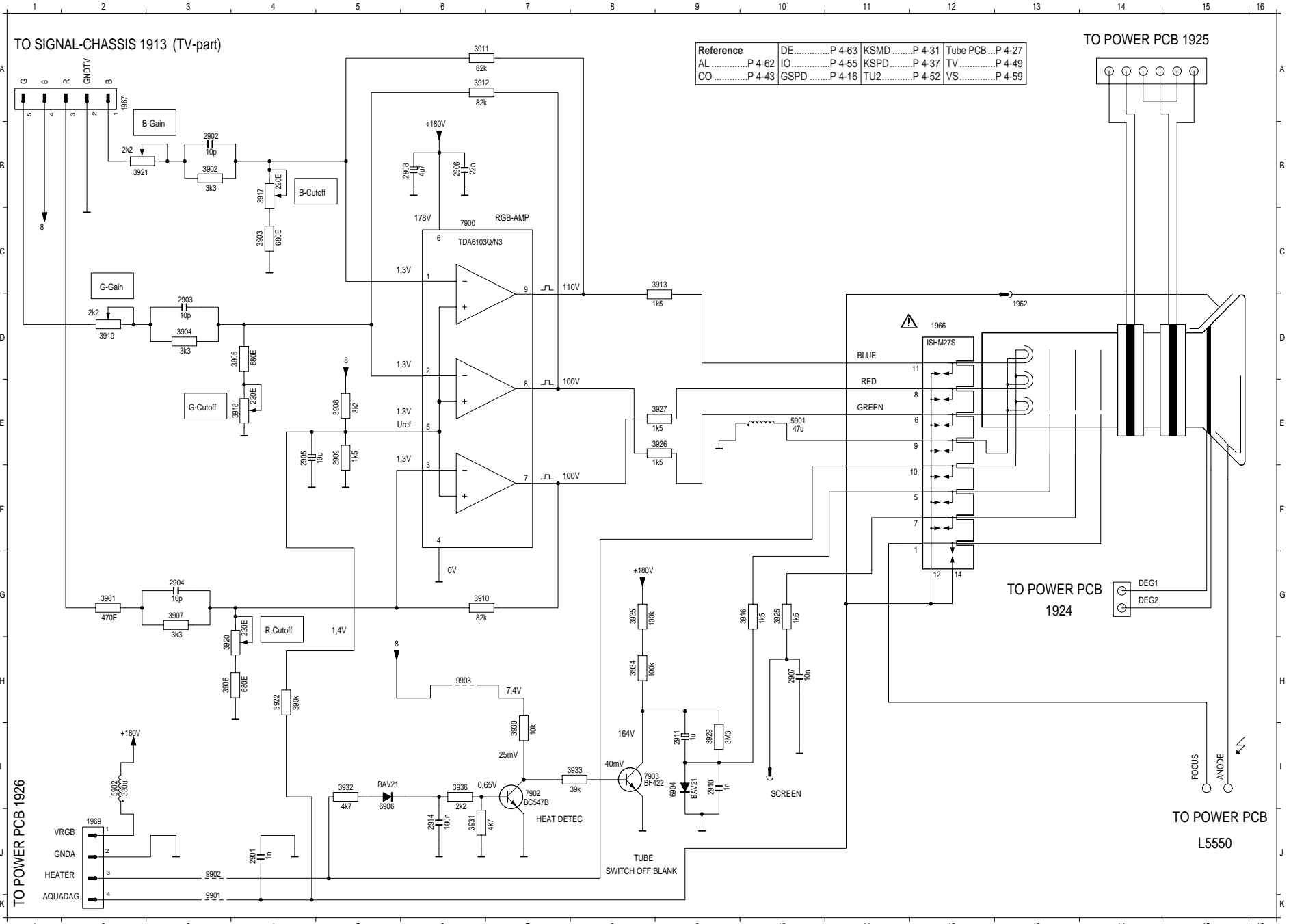


Bildrohrlatte / Tube PCB TVR 51...



- 1962 D13
- 1966 D12
- 1967 A 2
- 1969 J 2
- 2901 J 4
- 2902 B 3
- 2903 D 3
- 2904 G 3
- 2905 E 4
- 2906 B 6
- 2907 H10
- 2908 B 6
- 2913 J 6
- 2901 G 2
- 2902 B 3
- 2903 D 3
- 2904 G 3
- 2905 E 4
- 2906 B 6
- 2907 H10
- 2908 B 6
- 2913 J 6
- 2911 I 9
- 2914 J 6
- 2915 I 9
- 2916 I 9
- 2917 B 4
- 2918 E 3
- 2919 D 2
- 2920 H 3
- 2921 B 2
- 2922 H 4
- 2925 G10
- 2926 E 9
- 2927 E 9
- 2930 I 7
- 3931 J 6
- 3932 I 5
- 3936 I 6
- 5901 E10
- 5902 I 2
- 6906 J 5
- 7900 C 6
- 7901 H 5
- 7902 I 7
- 9901 K 3
- 9902 J 3
- 9903 H 6
- 9905 I 10

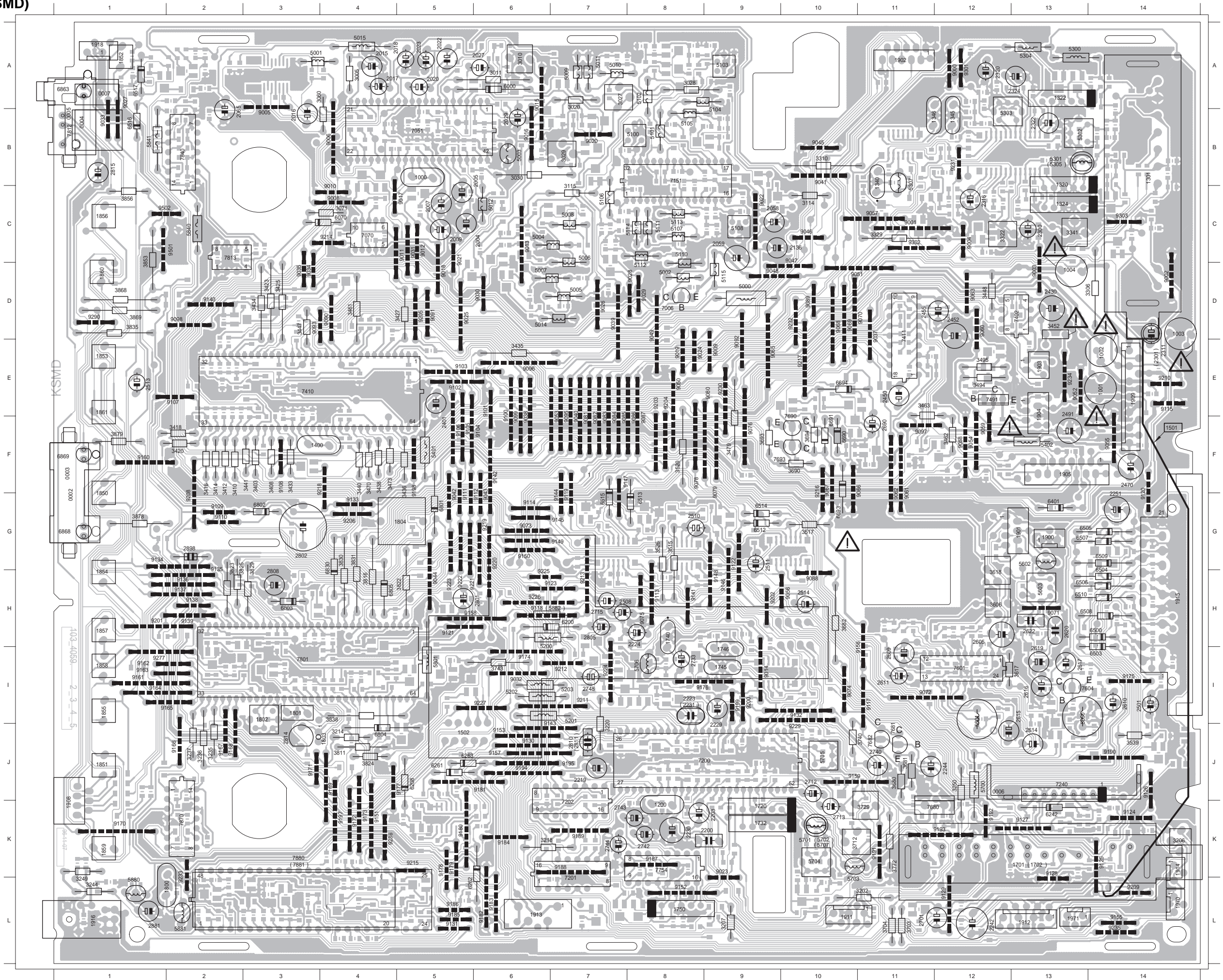
Bildrohrlatte / Tube PCB TVR 55...



- 1962 D13
- 1966 D12
- 1967 A 2
- 1969 J 2
- 2901 J 4
- 2902 B 3
- 2903 D 3
- 2904 G 3
- 2905 E 4
- 2906 B 6
- 2907 H10
- 2908 B 6
- 2910 I 9
- 2911 I 9
- 2914 J 6
- 2915 I 9
- 2916 I 9
- 2917 B 4
- 2918 E 3
- 2919 D 2
- 2920 H 3
- 2921 B 2
- 2922 H 4
- 2925 G10
- 2926 E 9
- 2927 E 9
- 3929 I 9
- 3930 I 7
- 3931 I 6
- 3932 I 5
- 3933 I 8
- 3934 H 8
- 3935 C 6
- 3936 I 6
- 5901 E10
- 5902 I 2
- 6904 I 9
- 6906 J 5
- 7900 C 6
- 7902 I 7
- 7903 I 8
- 9901 K 3
- 9902 J 3
- 9903 H 6

### Signal-Chassis (KSMD)

Ansicht von der Bestückungsseite / View of Component Side



- 1909, 1911, 1912, → Leistungs-Chassis / Power Chassis (1921, 1922, 1923)
- 1900, 1901, 1903, 1905 → Laufwerk / Drive Mechanism (L8, L3, L4, L2)
- 1913 → Bildrohrplatte / Tube PCB (1967)
- 1902, 1904 → Kopfverstärkerplatte / Head Amplifier Board (1910, 1930)
- 1918, 1971 → Buchsenplatte / Socket Board (1937, 1935)
- 1914, 1970 → Lautsprecher / Loudspeaker

0002 F 1 2514 H 10 3772 K 11 6805 H 4 9083 E 7 9198 F 5  
 0003 G 1 2605 H 12 3811 J 4 6830 G 4 9084 E 7 9199 I 9  
 0004 A 1 2609 I 11 3816 H 4 6863 A 1 9085 E 7 9200 I 9  
 0005 A 1 2610 I 14 3822 H 5 6868 G 1 9086 E 8 9201 H 1  
 0006 J 13 2611 I 11 3823 H 2 6869 F 1 9087 E 8 9202 H 9  
 0007 A 1 2614 J 13 3824 J 4 7006 D 8 9088 H 10 9203 F 8  
 1000 B 5 2615 J 12 3825 H 2 7051 B 5 9089 D 10 9204 F 8  
 1001 E 14 2616 I 13 3829 H 3 7070 C 4 9090 D 4 9205 D 5  
 1002 E 14 2617 I 13 3830 H 4 7151 B 8 9091 D 5 9206 G 4  
 1003 D 14 2619 I 13 3831 H 4 7200 J 9 9092 E 9 9208 G 2  
 1004 D 13 2620 H 13 3835 D 1 7201 K 7 9093 D 4 9209 L 14  
 1200 K 8 2622 H 13 3838 I 4 7202 K 7 9095 E 7 9210 E 14  
 1301 B 14 2690 F 11 3853 C 1 7240 J 13 9096 E 6 9211 I 7  
 1320 C 13 2701 L 12 3856 C 1 7402 D 13 9097 F 11 9212 I 7  
 1322 A 13 2712 J 10 3868 D 1 7410 E 3 9098 D 2 9213 H 7  
 1324 C 13 2713 K 10 3869 D 1 7411 D 11 9099 E 6 9214 C 4  
 1340 B 11 2715 H 7 3878 G 1 7491 E 12 9100 E 6 9215 K 5  
 1345 B 12 2733 I 8 3879 F 1 7601 I 12 9101 E 6 9216 F 10  
 1346 B 11 2740 J 11 5000 D 9 7604 I 13 9102 E 5 9217 E 10  
 1400 F 3 2742 K 8 5001 A 3 7680 K 12 9103 E 5 9218 F 4  
 1501 E 14 2743 K 8 5002 D 8 7681 J 11 9104 F 5 9219 G 6  
 1502 H 5 2744 K 7 5003 B 6 7682 J 11 9105 F 5 9220 G 6  
 1701 K 13 2748 I 7 5004 C 7 7690 F 10 9106 F 5 9221 G 5  
 1702 K 13 2801 H 5 5005 D 7 7693 F 10 9107 E 2 9222 G 5  
 1720 K 9 2802 G 3 5006 D 7 7754 K 8 9108 F 3 9223 G 5  
 1732 K 9 2805 H 7 5007 D 7 7801 I 3 9109 G 2 9224 I 7  
 1740 H 8 2808 H 3 5008 C 7 7812 B 1 9110 G 2 9225 H 6  
 1745 I 9 2810 J 7 5009 A 7 7813 C 2 9111 F 5 9226 H 6  
 1746 I 9 2811 J 7 5010 A 7 7840 B 2 9112 G 5 9227 I 6  
 1750 L 8 2814 J 3 5011 A 7 7870 K 2 9113 H 8 9229 I 10  
 1800 L 2 2815 B 1 5012 C 6 7880 L 3 9114 G 6 9230 E 9  
 1801 I 3 2881 L 1 5014 D 7 7881 L 3 9115 E 14 9231 B 12  
 1802 I 3 2898 G 2 5015 A 4 9000 A 12 9117 I 11 9232 D 10  
 1803 J 3 3005 A 4 5100 B 8 9001 C 11 9118 H 6 9233 K 2  
 1804 G 5 3010 A 6 5101 B 8 9002 D 14 9119 G 7 9234 E 13  
 1850 G 1 3011 A 6 5102 A 8 9003 D 13 9120 F 14 9235 L 14  
 1851 J 1 3020 A 7 5103 A 9 9004 C 12 9121 H 5 9236 K 4  
 1852 A 1 3027 A 7 5104 A 8 9005 A 3 9122 G 9 9277 I 1  
 1853 E 1 3028 A 8 5105 B 8 9006 B 4 9123 H 7 9290 D 1  
 1854 H 1 3029 B 7 5106 C 7 9008 C 4 9124 K 14 9301 A 12  
 1855 I 1 3030 B 6 5107 C 8 9009 E 9 9125 K 14 9302 C 11  
 1856 C 1 3060 B 4 5108 C 9 9010 C 4 9126 J 14 9303 C 14  
 1857 H 1 3071 C 4 5110 D 8 9011 C 4 9127 K 13 9501 C 1  
 1858 I 1 3114 C 10 5111 C 8 9012 C 5 9128 L 13 9502 C 1  
 1859 K 1 3115 C 7 5112 C 8 9013 C 6 9129 L 12  
 1860 D 1 3202 L 11 5113 C 8 9014 I 9 9130 J 6  
 1861 E 1 3206 K 14 5114 C 8 9015 A 6 9131 L 5  
 1900 G 13 3207 L 9 5115 D 9 9016 B 6 9132 I 10  
 1901 G 13 3214 J 4 5200 H 6 9017 C 4 9133 G 4  
 1902 A 11 3218 K 6 5201 I 6 9018 D 5 9134 G 2  
 1903 E 13 3220 J 7 5202 I 6 9019 E 8 9135 H 2  
 1904 E 13 3235 J 2 5203 I 6 9020 B 7 9136 H 2  
 1905 F 13 3236 J 2 5300 A 13 9021 C 5 9137 H 2  
 1908 K 1 3237 J 2 5301 B 13 9022 C 9 9138 H 2  
 1909 E 14 3244 L 1 5302 B 13 9023 L 9 9139 H 2  
 1911 L 10 3249 K 1 5303 B 12 9024 E 8 9140 D 2  
 1912 L 13 3250 J 12 5304 A 13 9025 D 5 9141 H 8  
 1913 L 6 3306 D 14 5305 B 13 9026 D 7 9142 F 6  
 1914 K 14 3310 B 10 5307 B 11 9027 B 1 9143 J 6  
 1915 H 14 3322 C 12 5401 F 5 9028 D 8 9144 G 7  
 1916 L 1 3329 C 11 5402 F 13 9029 D 8 9145 G 6  
 1918 A 1 3341 C 13 5601 I 12 9030 D 6 9146 H 9  
 1970 L 14 3403 F 3 5602 G 13 9031 C 5 9147 G 7  
 1971 L 13 3408 F 3 5603 H 13 9032 I 6 9148 H 9  
 2004 C 5 3410 F 2 5650 I 13 9033 B 1 9149 G 6  
 2005 C 5 3412 F 2 5700 J 12 9034 D 3 9150 G 6  
 2007 C 5 3414 F 2 5701 K 10 9035 D 3 9151 K 4  
 2009 C 5 3416 F 2 5702 K 10 9037 D 11 9152 L 8  
 2015 A 4 3418 F 2 5703 K 10 9038 E 6 9153 J 6  
 2016 B 3 3420 F 2 5704 K 10 9039 D 7 9155 L 14  
 2017 A 4 3423 D 3 5705 J 10 9040 E 7 9156 H 11  
 2018 A 5 3425 D 3 5706 I 8 9041 B 10 9157 J 6  
 2020 A 5 3427 D 5 5707 K 10 9042 G 5 9158 H 5  
 2022 A 5 3433 F 3 5801 I 5 9043 G 6 9159 J 10  
 2023 A 5 3434 D 3 5840 C 2 9044 H 5 9160 F 1  
 2027 A 6 3435 E 6 5841 B 1 9045 B 10 9161 I 1  
 2029 B 6 3436 F 5 5880 L 1 9046 C 10 9162 I 2  
 2058 C 9 3438 F 4 5881 L 2 9047 D 10 9163 I 2  
 2059 C 9 3440 F 4 5882 H 6 9048 D 9 9164 I 1  
 2065 B 2 3441 F 3 6000 A 6 9049 D 8 9165 I 2  
 2136 C 9 3447 D 3 6070 C 4 9050 E 8 9166 J 2  
 2200 K 9 3448 D 12 6200 H 7 9051 D 11 9167 J 2  
 2203 K 8 3452 D 13 6208 J 5 9052 E 13 9168 J 2  
 2219 J 7 3461 D 4 6242 K 13 9053 E 7 9169 J 4  
 2223 I 8 3462 F 12 6261 J 5 9054 F 12 9170 K 1  
 2224 H 8 3463 E 11 6262 K 6 9055 F 14 9171 J 3  
 2229 I 9 3470 F 4 6263 J 5 9056 H 10 9172 K 4  
 2230 K 8 3473 F 4 6401 G 13 9057 C 11 9173 K 4  
 2231 I 8 3479 F 9 6500 H 14 9058 F 12 9174 I 6  
 2242 L 12 3494 E 12 6503 I 14 9059 F 12 9175 I 14  
 2244 J 11 3495 E 12 6504 H 14 9060 D 12 9176 I 9  
 2251 G 14 3515 G 8 6505 G 14 9061 F 11 9177 J 4  
 2300 C 13 3517 G 10 6506 H 14 9062 F 11 9178 K 5  
 2301 D 14 3520 F 8 6507 G 14 9063 D 12 9179 K 5  
 2311 D 14 3526 G 8 6508 H 14 9065 E 9 9180 K 5  
 2316 C 12 3539 J 14 6509 G 14 9066 F 10 9181 J 5  
 2320 A 12 3606 H 12 6510 H 14 9067 F 10 9182 L 6  
 2322 B 13 3617 I 12 6512 G 9 9068 D 10 9183 L 6  
 2324 A 13 3618 H 12 6513 G 8 9069 D 10 9184 K 6  
 2401 E 5 3680 J 11 6514 G 9 9070 D 10 9185 L 5  
 2430 D 13 3681 J 11 6515 G 7 9071 H 13 9186 L 5  
 2450 E 11 3682 H 10 6516 B 1 9072 I 11 9187 K 8  
 2452 D 12 3690 F 10 6517 A 1 9073 G 6 9188 K 7  
 2455 D 12 3693 F 9 6690 F 10 9074 I 10 9189 K 7  
 2470 F 14 3694 F 10 6691 F 10 9075 H 8 9190 J 14  
 2491 F 13 3703 L 11 6693 F 10 9076 F 9 9191 K 11  
 2501 I 14 3704 L 11 6694 E 10 9078 F 8 9192 K 12  
 2508 H 7 3712 K 10 6801 G 5 9079 F 9 9193 K 12  
 2510 G 8 3729 K 11 6802 G 3 9080 F 9 9194 J 6  
 2511 G 9 3740 J 10 6803 H 3 9081 F 7 9195 J 6  
 2513 E 1 3743 I 6 6804 J 4 9082 F 7 9197 K 4

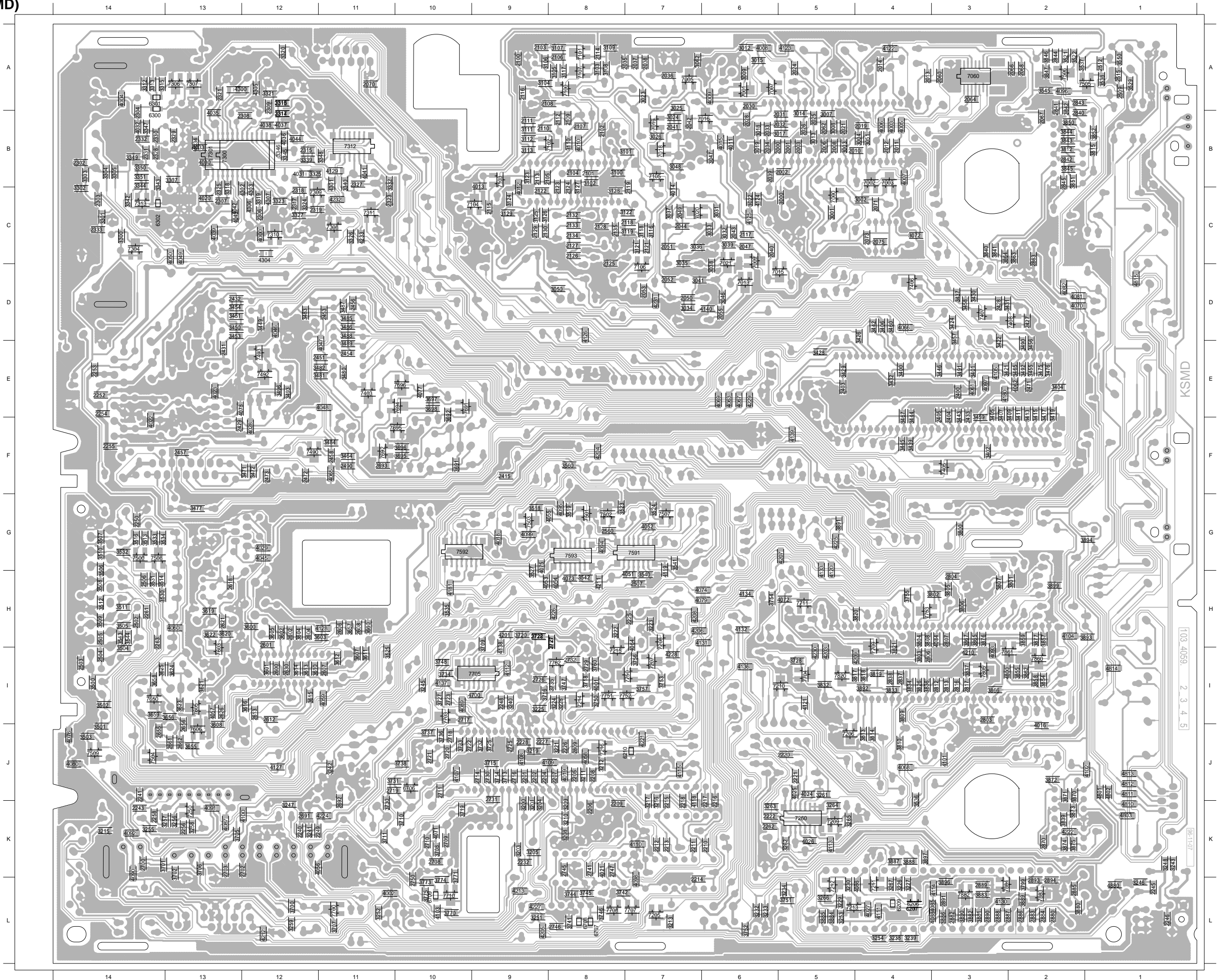
Reference	DE.....P 4-63	KSMD.....P 4-31	Tube PCB...P 4-27
AL.....P 4-62	IO.....P 4-55	KSPD.....P 4-37	TV.....P 4-49
CO.....P 4-43	GSPD.....P 4-16	TU2.....P 4-52	VS.....P 4-59





### Signal-Chassis (KSM D)

Ansicht von der Lötseite  
View of Solder Side







0005 F 1	2452 D 12	3693 F 9	6691 F 10	9072 I 11	9187 K 8
0006 J 13	2455 D 12	3694 F 10	6693 F 10	9073 G 6	9188 K 7
0007 D 1	2470 F 14	3703 L 11	6694 E 10	9074 I 10	9189 K 7
0008 G 1	2491 F 13	3704 L 11	6801 G 5	9075 H 8	9190 J 14
0009 C 1	2501 I 14	3712 K 10	6802 G 3	9076 F 9	9191 K 11
0010 D 1	2508 H 7	3729 K 11	6803 H 3	9078 F 8	9192 K 12
1000 B 5	2510 G 8	3740 J 10	6804 J 4	9079 F 9	9193 K 12
1001 E 14	2511 G 9	3743 I 6	6805 H 4	9080 F 9	9194 J 6
1002 E 14	2513 D 1	3772 K 11	6830 G 4	9081 F 7	9195 J 6
1003 D 14	2514 H 10	3811 J 4	6860 G 1	9082 F 7	9197 K 4
1004 D 13	2605 H 12	3816 H 4	6861 G 1	9083 E 7	9198 F 5
1200 K 8	2609 I 11	3822 H 5	6862 C 1	9084 E 7	9199 I 9
1301 B 14	2610 I 14	3823 H 2	6863 C 1	9085 E 7	9200 I 9
1320 C 13	2611 I 11	3824 J 4	6868 C 1	9086 E 8	9201 H 1
1322 A 13	2614 J 13	3825 H 2	6869 D 1	9087 E 8	9202 H 9
1324 C 13	2615 J 12	3829 H 3	7006 D 8	9088 H 10	9203 F 8
1340 B 11	2616 I 13	3830 H 4	7051 B 5	9089 D 10	9204 F 8
1345 B 12	2617 I 13	3831 H 4	7070 C 4	9090 D 4	9205 D 5
1346 B 11	2619 I 13	3835 F 1	7151 B 8	9091 D 5	9206 G 4
1400 F 3	2620 H 13	3838 I 4	7200 J 9	9092 E 9	9208 G 2
1501 E 14	2622 H 13	3853 C 1	7201 K 7	9093 D 4	9209 L 14
1502 H 5	2690 F 11	3868 D 1	7202 K 7	9095 E 7	9210 E 14
1701 K 13	2701 L 12	3869 D 1	7240 J 13	9096 E 6	9211 I 7
1702 K 13	2712 J 10	3878 G 1	7402 D 13	9097 F 11	9212 I 7
1720 K 9	2713 K 10	3879 G 1	7410 E 3	9098 D 2	9213 H 7
1732 K 9	2715 H 7	5000 D 9	7411 D 11	9099 E 6	9214 C 4
1740 H 8	2733 I 8	5001 A 3	7491 E 12	9100 E 6	9215 K 5
1745 I 9	2740 J 11	5002 D 8	7601 I 12	9101 E 6	9216 F 10
1746 I 9	2742 K 8	5003 B 6	7604 I 13	9102 E 5	9217 E 10
1750 L 8	2743 K 8	5004 C 7	7680 K 12	9103 E 5	9218 F 4
1800 L 2	2744 K 7	5005 D 7	7681 J 11	9104 F 5	9219 G 6
1801 I 3	2748 I 7	5006 D 7	7682 J 11	9105 F 5	9220 G 6
1802 I 3	2801 H 5	5007 D 6	7690 F 10	9106 F 5	9221 G 5
1803 J 3	2802 G 3	5008 C 7	7693 F 10	9107 E 2	9222 G 5
1804 G 5	2805 H 7	5009 A 7	7754 K 8	9108 F 3	9223 G 5
1850 G 1	2808 H 3	5010 A 7	7801 I 3	9109 G 2	9224 I 7
1851 E 1	2810 J 7	5011 A 7	7811 F 1	9110 G 2	9225 H 6
1853 I 1	2811 J 7	5012 C 6	7812 C 1	9111 F 5	9226 H 6
1854 K 1	2814 J 3	5014 D 7	7813 C 2	9112 G 5	9227 I 6
1856 K 1	2815 F 1	5015 A 4	7840 B 2	9113 H 8	9229 I 10
1857 J 1	2881 L 1	5100 B 8	7870 K 2	9114 G 6	9230 E 9
1858 J 1	2898 G 2	5101 B 8	7880 L 3	9115 E 14	9231 B 12
1859 E 1	3005 A 4	5102 A 8	7881 L 3	9117 I 11	9232 D 10
1860 B 1	3010 A 6	5103 A 9	9000 A 12	9118 H 6	9233 K 2
1861 H 1	3011 A 6	5104 A 8	9001 C 11	9119 G 7	9234 E 13
1870 G 1	3020 A 7	5105 B 8	9002 D 14	9120 F 14	9235 L 14
1871 E 1	3027 A 7	5106 C 7	9003 D 13	9121 H 5	9236 K 4
1872 D 1	3028 A 8	5107 C 8	9004 C 12	9122 G 9	9240 F 8
1873 I 1	3029 B 7	5108 C 9	9005 A 3	9123 H 7	9301 A 12
1874 K 1	3030 B 6	5110 D 8	9006 B 4	9124 K 14	9302 C 11
1876 J 1	3060 B 4	5111 C 8	9008 C 4	9125 K 14	9303 C 14
1877 I 1	3071 C 4	5112 C 8	9009 E 9	9126 J 14	
1878 C 1	3114 C 10	5113 C 8	9010 C 4	9127 K 13	
1879 E 1	3115 C 7	5114 C 8	9011 C 4	9128 L 13	
1880 B 1	3202 L 11	5115 D 9	9012 C 5	9129 L 12	
1881 H 1	3206 K 14	5200 H 6	9013 C 6	9130 J 6	
1900 G 13	3207 L 9	5201 I 6	9014 I 9	9131 L 5	
1901 G 13	3214 J 4	5202 I 6	9015 A 6	9132 I 10	
1902 A 11	3218 K 6	5203 I 6	9016 B 6	9133 G 4	
1903 E 13	3220 J 7	5300 A 13	9017 C 4	9134 G 2	
1904 E 13	3235 J 2	5301 B 13	9018 D 5	9135 H 2	
1905 F 13	3236 J 2	5302 B 13	9019 E 8	9136 H 2	
1909 E 14	3237 J 2	5303 B 12	9020 B 7	9137 H 2	
1911 L 10	3244 L 1	5304 A 13	9021 C 5	9138 H 2	
1912 L 13	3249 K 1	5305 B 13	9022 C 9	9139 H 2	
1913 L 6	3250 J 12	5307 B 11	9023 L 9	9140 D 2	
1914 K 14	3306 D 14	5401 F 5	9024 E 8	9141 H 8	
1915 H 14	3310 B 10	5402 F 13	9025 D 5	9142 F 6	
1916 L 1	3322 C 12	5601 I 12	9026 D 7	9143 J 6	
1918 A 1	3329 C 11	5602 G 13	9028 D 8	9144 G 7	
1919 A 1	3341 C 13	5603 H 13	9029 D 8	9145 G 6	
1970 L 14	3403 F 3	5650 I 13	9030 D 6	9146 H 9	
1971 L 13	3408 F 3	5700 J 12	9031 C 5	9147 G 7	
2004 C 5	3410 F 2	5701 K 10	9032 I 6	9148 H 9	
2005 C 5	3412 F 2	5702 K 10	9033 A 1	9149 G 6	
2007 C 5	3414 F 2	5703 K 10	9034 D 3	9150 G 6	
2009 C 5	3416 F 2	5704 K 10	9035 D 3	9151 K 4	
2015 A 4	3418 F 2	5705 J 10	9037 D 11	9152 L 8	
2016 B 3	3420 F 2	5706 I 8	9038 E 6	9153 J 6	
2017 A 4	3423 D 3	5707 K 10	9039 D 7	9155 L 14	
2018 A 5	3425 D 3	5801 I 5	9040 E 7	9156 H 11	
2020 A 5	3427 D 5	5840 C 2	9041 B 10	9157 J 6	
2022 A 5	3433 F 3	5841 B 1	9042 G 5	9158 H 5	
2023 A 5	3434 D 3	5880 L 1	9043 G 6	9159 J 10	
2027 A 6	3435 E 6	5881 L 2	9044 H 5	9160 F 1	
2029 B 6	3436 F 5	5882 H 6	9045 B 10	9161 I 1	
2058 C 9	3438 F 4	6000 A 6	9046 C 10	9162 H 2	
2059 C 9	3440 F 4	6070 C 4	9047 D 10	9163 I 2	
2065 B 2	3441 F 3	6200 H 7	9048 D 9	9164 I 1	
2136 C 9	3447 D 3	6208 J 5	9049 D 8	9165 I 2	
2200 K 9	3448 D 12	6242 K 13	9050 E 8	9166 J 2	
2203 K 8	3452 D 13	6261 J 5	9051 D 11	9167 J 2	
2219 J 7	3461 D 4	6262 K 6	9052 E 13	9168 J 2	
2223 I 8	3462 F 12	6263 J 5	9053 E 7	9169 J 4	
2224 H 8	3463 E 11	6401 G 13	9054 F 12	9170 K 1	
2229 I 9	3470 F 4	6500 H 14	9055 F 14	9171 J 3	
2230 K 8	3473 F 4	6503 I 14	9056 H 10	9172 K 4	
2231 I 8	3479 F 9	6504 H 14	9057 C 11	9173 K 4	
2242 L 12	3494 E 12	6505 G 14	9058 F 12	9174 I 6	
2244 J 11	3495 E 12	6506 H 14	9059 F 12	9175 I 14	
2251 G 14	3515 G 8	6507 G 14	9060 D 12	9176 I 9	
2300 C 13	3517 G 10	6508 H 14	9061 F 11	9177 J 4	
2301 D 14	3526 G 8	6509 G 14	9062 F 11	9178 K 5	
2311 D 14	3539 J 14	6510 H 14	9063 D 12	9179 K 5	
2316 C 12	3606 H 12	6512 G 9	9065 E 9	9180 K 5	
2320 A 12	3617 I 12	6513 G 8	9066 F 10	9181 J 5	
2322 B 13	3618 H 12	6514 G 9	9067 F 10	9182 L 6	
2324 A 13	3680 J 11	6515 G 7	9068 D 10	9183 L 6	
2401 E 5	3681 J 11	6516 B 1	9069 D 10	9184 K 6	
2430 D 13	3682 H 10	6517 A 1	9070 D 10	9185 L 5	
2450 E 11	3690 F 10	6690 F 10	9071 H 13	9186 L 5	

Reference	DE.....P 4-63	KSMD.....P 4-31	Tube PCB...P 4-27
AL.....P 4-62	IO.....P 4-55	KSPD.....P 4-37	TV.....P 4-49
CO.....P 4-43	GSPD.....P 4-16	TU2.....P 4-52	VS.....P 4-59



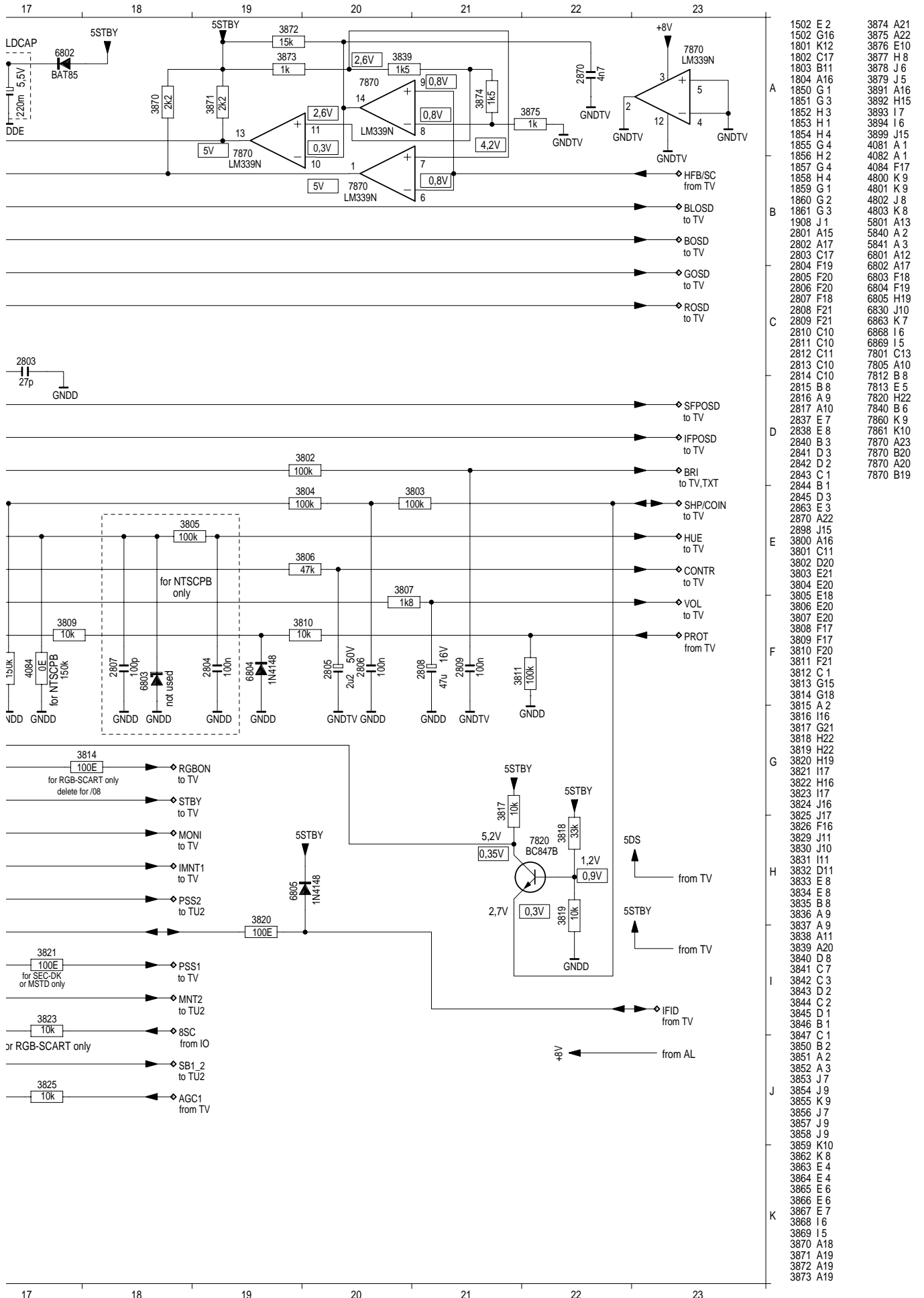




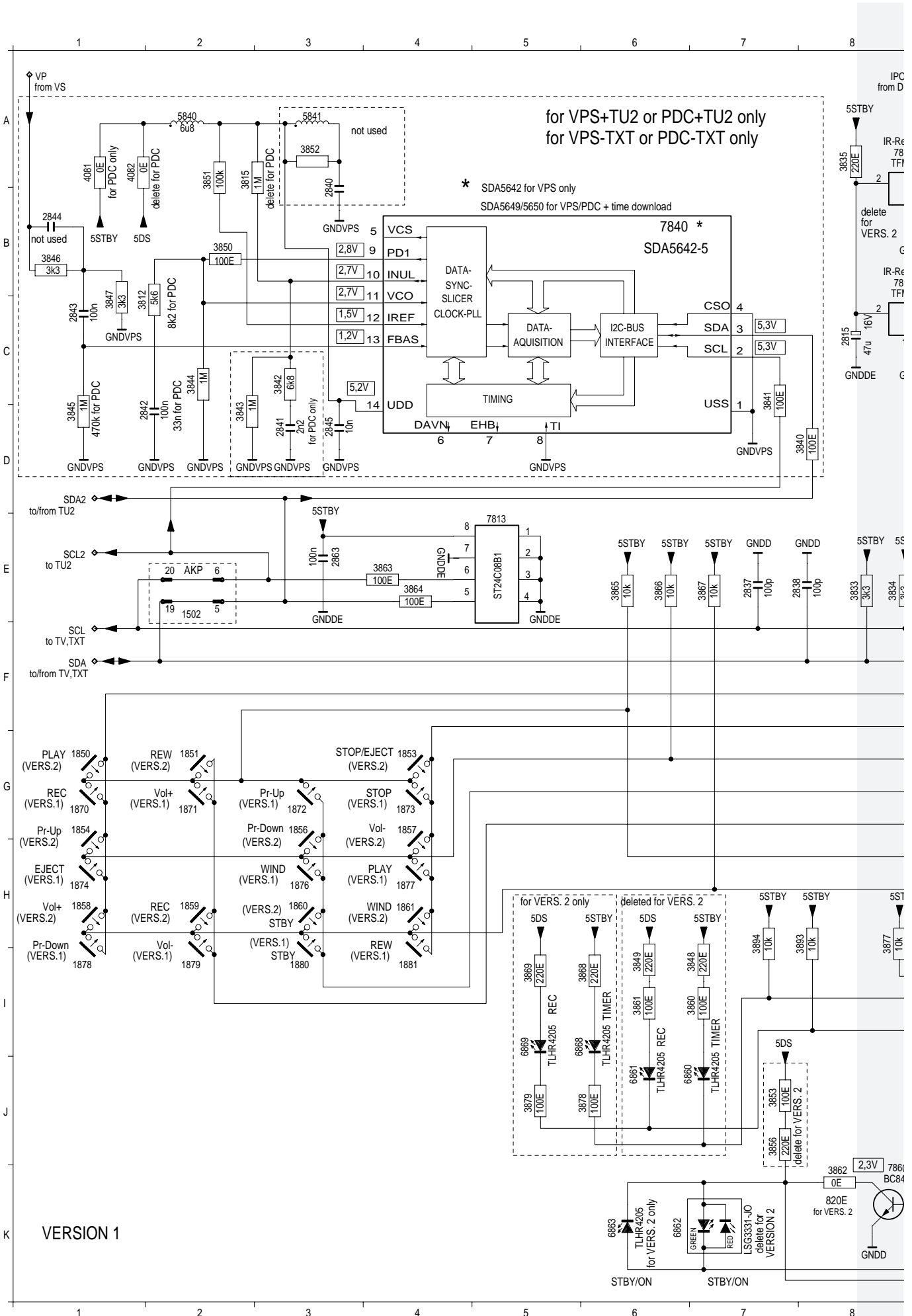




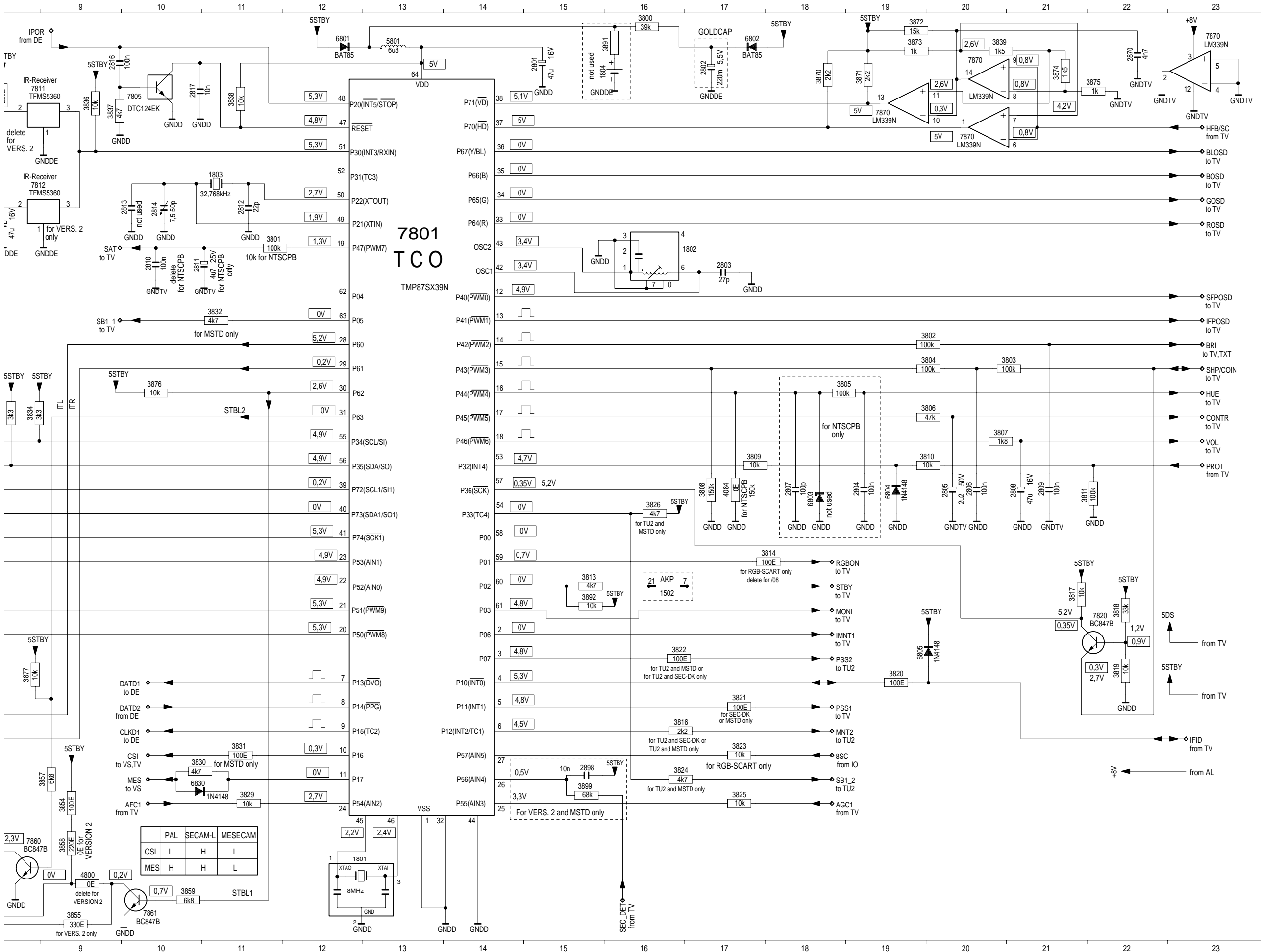
Reference	DE.....P 4-63	KSMO.....P 4-31	Tube PCB...P 4-27
AL.....P 4-62	IO.....P 4-55	KSPD.....P 4-37	TV.....P 4-49
CO.....P 4-43	GSPD.....P 4-16	TU2.....P 4-52	VS.....P 4-59



# Signal-Chassis - Bedieneinheit / Keyboard Control Unit (KSPD - CO)

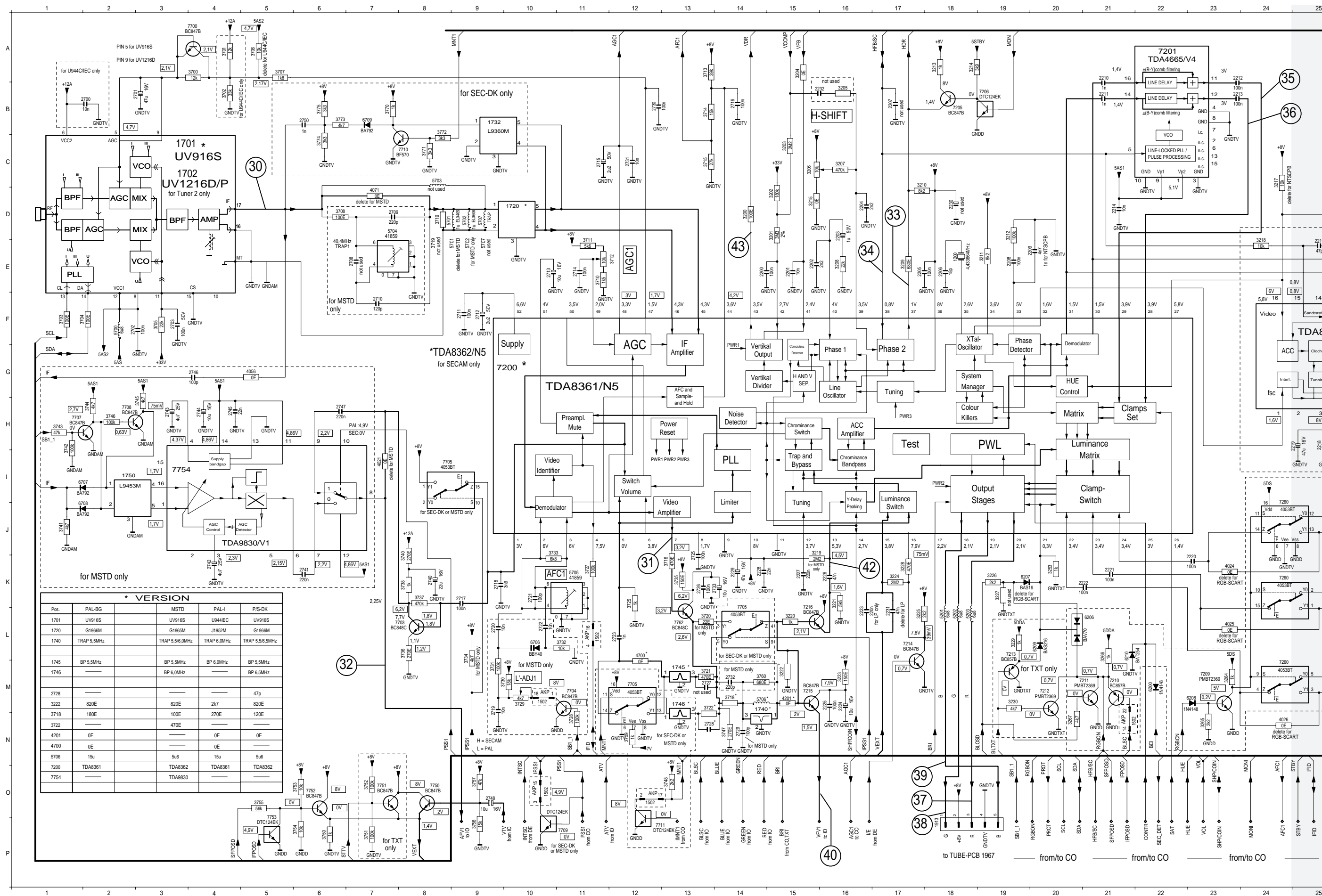


Reference	DE.....P 4-63	KSM.....P 4-31	Tube PCB...P 4-27
AL.....P 4-62	IO.....P 4-65	KSPD.....P 4-37	TV.....P 4-49
CO.....P 4-43	GSPD.....P 4-16	TU2.....P 4-52	VS.....P 4-59



- A 1502 E 2
- A 1502 G16
- A 1801 K12
- A 1802 C17
- A 1803 B11
- A 1804 A16
- A 1850 G 1
- A 1851 G 2
- A 1853 G 4
- A 1854 G 1
- A 1856 G 3
- A 1857 G 4
- A 1858 H 1
- A 1859 H 2
- A 1860 H 3
- A 1861 H 4
- A 1870 G 1
- A 1871 G 2
- A 1872 G 3
- A 1873 G 4
- A 1874 H 1
- A 1876 H 3
- A 1877 H 4
- A 1878 H 1
- A 1879 H 2
- A 1880 I 3
- A 1881 I 4
- A 2801 A15
- A 2802 A17
- A 2803 C17
- A 2804 F19
- A 2805 F20
- A 2806 F20
- A 2807 F18
- A 2808 F21
- A 2809 F21
- A 2810 C10
- A 2811 C10
- A 2812 C11
- A 2813 C10
- A 2814 C10
- A 2815 C 8
- A 2816 A 9
- A 2817 A10
- A 2837 E 7
- A 2838 E 8
- A 2840 B 3
- A 2841 D 3
- A 2842 D 2
- A 2843 C 1
- A 2844 B 1
- A 2845 D 3
- A 2863 E 3
- A 2870 A22
- A 2898 J15
- A 3800 A16
- A 3801 C11
- A 3802 D20
- A 3803 E21
- A 3804 E20
- A 3805 E18
- A 3806 E20
- A 3807 E20
- A 3808 F17
- A 3809 F17
- A 3810 F20
- A 3811 F21
- A 3812 C 1
- A 3813 G15
- A 3814 G18
- A 3815 A 2
- A 3816 I16
- A 3817 G21
- A 3818 H22
- A 3819 H22
- A 3820 H19
- A 3821 I17
- A 3822 H16
- A 3823 I17
- A 3824 J16
- A 3825 J17
- A 3826 F16
- A 3829 J11
- A 3830 J10
- A 3831 I11
- A 3832 D11
- A 3833 E 8
- A 3834 E 8
- A 3835 A 8
- A 3836 A 9
- A 3837 A 9
- A 3838 A11
- A 3839 A20
- A 3840 D 8
- A 3841 C 7
- A 3842 C 3
- A 3843 D 2
- A 3844 C 2
- A 3845 D 1
- A 3846 B 1
- A 3847 C 1
- A 3848 I 7
- A 3849 I 6
- A 3850 B 2
- A 3851 A 2
- A 3852 A 3
- A 3853 J 7
- A 3854 J 9
- A 3855 K 9
- A 3856 J 7
- A 3857 K 9
- A 3858 K 9
- A 3859 K10
- A 3860 I 7
- A 3861 I 6
- B 3862 K 8
- B 3863 E 4
- B 3864 E 4
- B 3865 E 6
- B 3866 E 6
- B 3867 E 7
- B 3868 I 6
- B 3869 I 5
- B 3870 A18
- B 3871 A19
- B 3872 A19
- B 3873 A19
- B 3874 A21
- B 3875 A22
- B 3876 E10
- B 3877 H 8
- B 3878 J 6
- B 3879 J 5
- B 3891 A16
- B 3892 H15
- B 3893 H 8
- B 3894 H 7
- B 3899 J15
- C 4081 A 1
- C 4082 A 1
- C 4084 F17
- C 4800 K 9
- C 5801 A13
- C 5840 A 2
- C 5841 A 3
- C 6801 A12
- C 6802 A17
- C 6803 F18
- C 6804 F19
- C 6805 H19
- C 6830 J10
- C 6860 J 7
- C 6861 J 6
- C 6862 K 6
- C 6863 K 6
- C 6868 I 6
- C 6869 I 5
- C 7801 C13
- C 7805 A10
- C 7811 A 8
- C 7812 B 8
- C 7813 E 5
- C 7820 H22
- C 7840 B 6
- C 7860 K 9
- C 7861 K10
- C 7870 A23
- C 7870 B20
- C 7870 A20
- C 7870 B19
- D 6860 J 7
- D 6861 J 6
- D 6862 K 6
- D 6863 K 6
- D 6868 I 6
- D 6869 I 5
- D 7801 C13
- D 7805 A10
- D 7811 A 8
- D 7812 B 8
- D 7813 E 5
- D 7820 H22
- D 7840 B 6
- D 7860 K 9
- D 7861 K10
- D 7870 A23
- D 7870 B20
- D 7870 A20
- D 7870 B19
- E 7840 B 6
- E 7860 K 9
- E 7861 K10
- E 7870 A23
- E 7870 B20
- E 7870 A20
- E 7870 B19
- F 7840 B 6
- F 7860 K 9
- F 7861 K10
- F 7870 A23
- F 7870 B20
- F 7870 A20
- F 7870 B19
- G 3812 C 1
- G 3813 G15
- G 3814 G18
- G 3815 A 2
- G 3816 I16
- G 3817 G21
- G 3818 H22
- G 3819 H22
- G 3820 H19
- G 3821 I17
- G 3822 H16
- G 3823 I17
- G 3824 J16
- G 3825 J17
- G 3826 F16
- G 3829 J11
- G 3830 J10
- G 3831 I11
- G 3832 D11
- G 3833 E 8
- G 3834 E 8
- G 3835 A 8
- G 3836 A 9
- G 3837 A 9
- G 3838 A11
- G 3839 A20
- G 3840 D 8
- G 3841 C 7
- G 3842 C 3
- G 3843 D 2
- G 3844 C 2
- G 3845 D 1
- G 3846 B 1
- G 3847 C 1
- G 3848 I 7
- G 3849 I 6
- G 3850 B 2
- G 3851 A 2
- G 3852 A 3
- G 3853 J 7
- G 3854 J 9
- G 3855 K 9
- G 3856 J 7
- G 3857 K 9
- G 3858 K 9
- G 3859 K10
- G 3860 I 7
- G 3861 I 6
- H 3812 C 1
- H 3813 G15
- H 3814 G18
- H 3815 A 2
- H 3816 I16
- H 3817 G21
- H 3818 H22
- H 3819 H22
- H 3820 H19
- H 3821 I17
- H 3822 H16
- H 3823 I17
- H 3824 J16
- H 3825 J17
- H 3826 F16
- H 3829 J11
- H 3830 J10
- H 3831 I11
- H 3832 D11
- H 3833 E 8
- H 3834 E 8
- H 3835 A 8
- H 3836 A 9
- H 3837 A 9
- H 3838 A11
- H 3839 A20
- H 3840 D 8
- H 3841 C 7
- H 3842 C 3
- H 3843 D 2
- H 3844 C 2
- H 3845 D 1
- H 3846 B 1
- H 3847 C 1
- H 3848 I 7
- H 3849 I 6
- H 3850 B 2
- H 3851 A 2
- H 3852 A 3
- H 3853 J 7
- H 3854 J 9
- H 3855 K 9
- H 3856 J 7
- H 3857 K 9
- H 3858 K 9
- H 3859 K10
- H 3860 I 7
- H 3861 I 6
- I 3812 C 1
- I 3813 G15
- I 3814 G18
- I 3815 A 2
- I 3816 I16
- I 3817 G21
- I 3818 H22
- I 3819 H22
- I 3820 H19
- I 3821 I17
- I 3822 H16
- I 3823 I17
- I 3824 J16
- I 3825 J17
- I 3826 F16
- I 3829 J11
- I 3830 J10
- I 3831 I11
- I 3832 D11
- I 3833 E 8
- I 3834 E 8
- I 3835 A 8
- I 3836 A 9
- I 3837 A 9
- I 3838 A11
- I 3839 A20
- I 3840 D 8
- I 3841 C 7
- I 3842 C 3
- I 3843 D 2
- I 3844 C 2
- I 3845 D 1
- I 3846 B 1
- I 3847 C 1
- I 3848 I 7
- I 3849 I 6
- I 3850 B 2
- I 3851 A 2
- I 3852 A 3
- I 3853 J 7
- I 3854 J 9
- I 3855 K 9
- I 3856 J 7
- I 3857 K 9
- I 3858 K 9
- I 3859 K10
- I 3860 I 7
- I 3861 I 6
- J 3812 C 1
- J 3813 G15
- J 3814 G18
- J 3815 A 2
- J 3816 I16
- J 3817 G21
- J 3818 H22
- J 3819 H22
- J 3820 H19
- J 3821 I17
- J 3822 H16
- J 3823 I17
- J 3824 J16
- J 3825 J17
- J 3826 F16
- J 3829 J11
- J 3830 J10
- J 3831 I11
- J 3832 D11
- J 3833 E 8
- J 3834 E 8
- J 3835 A 8
- J 3836 A 9
- J 3837 A 9
- J 3838 A11
- J 3839 A20
- J 3840 D 8
- J 3841 C 7
- J 3842 C 3
- J 3843 D 2
- J 3844 C 2
- J 3845 D 1
- J 3846 B 1
- J 3847 C 1
- J 3848 I 7
- J 3849 I 6
- J 3850 B 2
- J 3851 A 2
- J 3852 A 3
- J 3853 J 7
- J 3854 J 9
- J 3855 K 9
- J 3856 J 7
- J 3857 K 9
- J 3858 K 9
- J 3859 K10
- J 3860 I 7
- J 3861 I 6
- K 3812 C 1
- K 3813 G15
- K 3814 G18
- K 3815 A 2
- K 3816 I16
- K 3817 G21
- K 3818 H22
- K 3819 H22
- K 3820 H19
- K 3821 I17
- K 3822 H16
- K 3823 I17
- K 3824 J16
- K 3825 J17
- K 3826 F16
- K 3829 J11
- K 3830 J10
- K 3831 I11
- K 3832 D11
- K 3833 E 8
- K 3834 E 8
- K 3835 A 8
- K 3836 A 9
- K 3837 A 9
- K 3838 A11
- K 3839 A20
- K 3840 D 8
- K 3841 C 7
- K 3842 C 3
- K 3843 D 2
- K 3844 C 2
- K 3845 D 1
- K 3846 B 1
- K 3847 C 1
- K 3848 I 7
- K 3849 I 6
- K 3850 B 2
- K 3851 A 2
- K 3852 A 3
- K 3853 J 7
- K 3854 J 9
- K 3855 K 9
- K 3856 J 7
- K 3857 K 9
- K 3858 K 9
- K 3859 K10
- K 3860 I 7
- K 3861 I 6

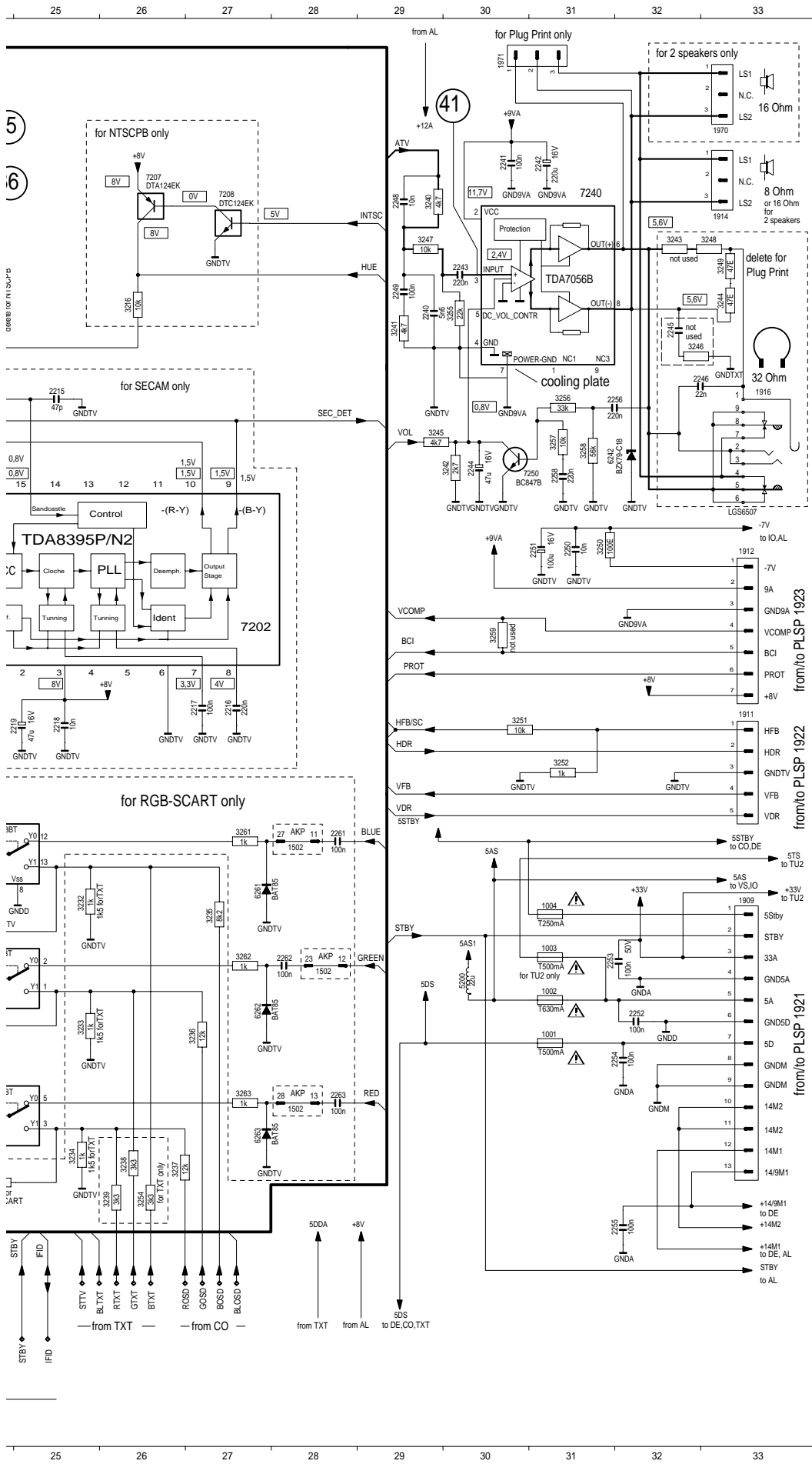
### Signal-Chassis – TV-Signalelektronik / TV Signal Electronics (TV)



Pos.	PAL-BG	MSTD	PAL-I	P/S-DK
1701	UV916S	UV916S	UV916S	UV916S
1720	G1966M	G1966M	J1952M	G1966M
1740	TRAP 5.5MHz	TRAP 5.5/6.0MHz	TRAP 6.0MHz	TRAP 5.5/6.5MHz
1745	BP 5.5MHz	BP 5.5MHz	BP 6.0MHz	BP 5.5MHz
1746		BP 6.0MHz		BP 6.5MHz
2728				47p
3222	820E	820E	2k7	820E
3718	180E	100E	270E	120E
3722		470E		
4201	0E		0E	0E
4700	0E		0E	
5706	15u	5u6	15u	5u6
7200	TDA8361	TDA8362	TDA8361	TDA8362
7754		TDA8330		



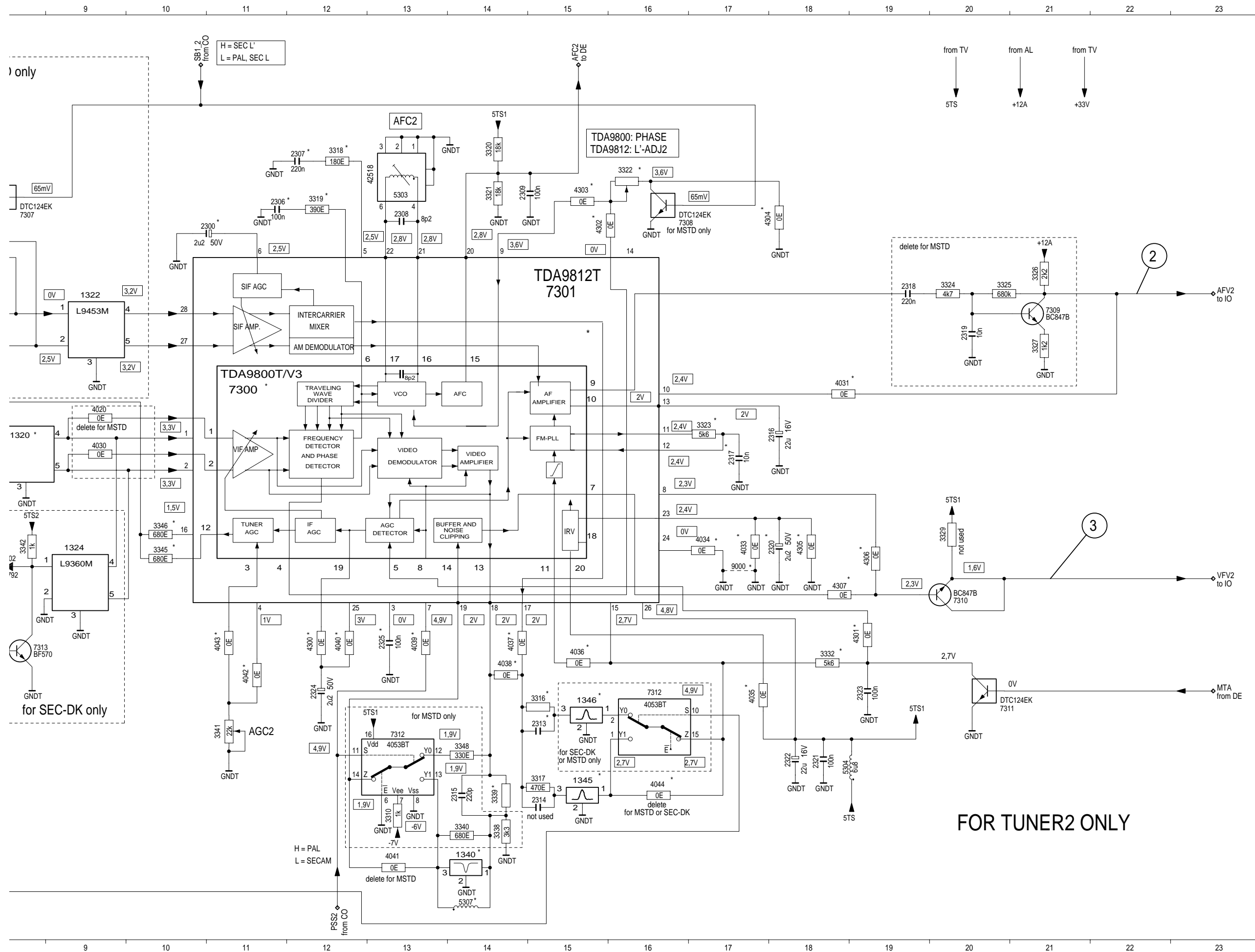
Reference	DE.....P 4-63	KSM D.....P 4-31	Tube PCB...P 4-27
AL.....P 4-62	IO.....P 4-55	KSP D.....P 4-37	TV.....P 4-49
CO.....P 4-43	GSP D.....P 4-16	TU2.....P 4-52	VS.....P 4-59



- A 1001 L31
- A 1002 L31
- A 1003 K31
- A 1004 K31
- A 1200 E18
- A 1502 O12
- A 1502 O10
- A 1502 L11
- A 1502 N22
- A 1502 M10
- A 1502 K28
- A 1502 J28
- A 1502 M28
- A 1701 C 3
- A 1702 C 3
- A 1720 D10
- A 1732 B 9
- A 1740 M15
- A 1745 M13
- A 1746 M13
- A 1750 I 2
- A 1909 K33
- A 1911 H33
- A 1912 F33
- A 1913 O18
- A 2201 E15
- A 2202 E15
- A 2203 D16
- A 2204 D16
- A 2205 E17
- A 2206 E18
- A 2208 B17
- A 2208 E19
- A 2209 E20
- A 2210 A21
- A 2211 B21
- A 2212 A23
- A 2213 B23
- A 2214 D21
- A 2215 E25
- A 2216 H27
- A 2217 H27
- A 2218 H25
- A 2219 H25
- A 2220 K23
- A 2221 K21
- A 2222 K21
- A 2223 L16
- A 2224 M16
- A 2225 M16
- A 2226 K16
- A 2227 K15
- A 2228 K14
- A 2229 K14
- A 2230 D18
- A 2231 L17
- A 2232 B16
- A 2240 D29
- A 2241 B30
- A 2242 B31
- A 2243 C30
- A 2244 E30
- A 2245 D32
- A 2246 D33
- A 2248 B29
- A 2249 C29
- A 2250 F31
- A 2251 F31
- A 2252 L32
- A 2253 K31
- A 2254 L32
- A 2255 N32
- A 2256 E32
- A 2258 F31
- A 2261 J28
- A 2262 K28
- A 2263 M28
- A 2700 B 2
- A 2701 B 3
- A 2702 F 2
- A 2703 F 3
- A 2708 E 7
- A 2709 D 7
- A 2710 F 7
- A 2711 F 9
- A 2712 F 9
- A 2713 E10
- A 2714 E11
- A 2715 C11
- A 2716 O16
- A 2717 K 9
- A 2718 K 9
- A 2719 M 9
- A 2720 L 9
- A 2721 K10
- A 2722 L10
- A 2723 L12
- A 2725 K13
- A 2726 K13
- A 2727 M13
- A 2728 N13
- A 2729 N14
- A 2730 B12
- A 2731 C12
- A 2732 M14
- A 2733 K13
- A 2740 K 8
- A 2741 K 6
- A 2742 K 4
- A 2743 H 3
- A 2744 H 4
- A 2745 H 4
- A 2746 G 4
- A 2747 H 6
- A 2748 O 9
- A 2750 B 6
- A 3200 D14
- A 3201 D15
- A 3202 D15
- A 3203 C15
- A 3204 A15
- A 3205 B16
- A 3206 C15
- A 3207 C19
- A 3208 E16
- A 3209 E17
- A 3210 D17
- A 3211 E19
- A 3212 D19
- A 3213 A18
- A 3214 A18
- A 3215 D15
- A 3216 D26
- A 3217 C24
- A 3218 E24
- B 3219 K15
- B 3220 L15
- B 3221 K16
- B 3222 M15
- B 3223 M16
- B 3224 K17
- B 3225 L17
- B 3226 K19
- B 3227 K19
- B 3228 K17
- B 3229 L19
- B 3230 M19
- B 3232 J25
- B 3233 L25
- B 3234 M25
- B 3235 K27
- B 3236 L27
- B 3237 N26
- B 3238 N26
- B 3239 N26
- B 3240 B29
- B 3241 D29
- B 3242 E30
- B 3243 C32
- B 3244 C33
- B 3245 D32
- B 3246 D32
- B 3247 C29
- B 3248 C33
- B 3249 C33
- B 3250 H30
- B 3251 I31
- B 3252 I31
- B 3253 K20
- B 3254 N26
- B 3255 D30
- B 3256 K18
- B 3257 E31
- B 3258 E31
- B 3259 G30
- B 3261 J27
- B 3262 K27
- B 3263 M27
- B 3264 M23
- B 3265 N23
- B 3266 L21
- B 3267 N20
- B 3270 A 2
- B 3271 A 5
- B 3272 A 5
- B 3273 D 6
- B 3274 F 1
- B 3275 F 3
- B 3276 A 5
- B 3277 A 5
- B 3278 D 6
- B 3279 N12
- B 3280 E11
- B 3281 E11
- B 3282 K12
- B 3283 A13
- B 3284 B13
- B 3285 C13
- B 3286 K13
- B 3287 M13
- B 3288 K12
- B 3289 K11
- B 3290 M10
- B 3291 M 9
- B 3292 L11
- B 3293 K10
- B 3294 L 9
- B 3295 K13
- B 3296 L 8
- B 3297 K 8
- B 3298 K 8
- B 3299 B 2
- B 3300 H 1
- B 3301 H 1
- B 3302 H 2
- B 3303 H 3
- B 3304 F 2
- B 3305 N14
- B 3306 O13
- B 3307 P 6
- B 3308 P 7
- B 3309 P 7
- B 3310 O 6
- B 3311 P 6
- B 3312 O 5
- B 3313 O 5
- B 3314 C 8
- B 3315 C 8
- B 3316 C 8
- B 3317 C 8
- B 3318 C 6
- B 3319 B 6
- B 3320 I 7
- B 3321 K23
- B 3322 L23
- B 3323 N24
- B 3324 G 5
- B 3325 D 7
- B 3326 M15
- B 3327 K12
- B 3328 K12
- B 3329 D 8
- B 3330 K12
- B 3331 D 8
- B 3332 K12
- B 3333 K12
- B 3334 K12
- B 3335 K12
- B 3336 K12
- B 3337 K12
- B 3338 K12
- B 3339 K12
- B 3340 K12
- B 3341 K12
- B 3342 K12
- B 3343 K12
- B 3344 K12
- B 3345 K12
- B 3346 K12
- B 3347 K12
- B 3348 K12
- B 3349 K12
- B 3350 K12
- C 7200 G 9
- C 7201 A22
- C 7202 G27
- C 7205 B18
- C 7206 B19
- C 7207 B26
- C 7208 B27
- C 7209 M23
- C 7210 M21
- C 7211 M20
- C 7212 M20
- C 7213 L19
- C 7214 L17
- C 7215 M15
- C 7216 L15
- C 7240 B31
- C 7240 F31
- C 7240 I24
- C 7240 K24
- C 7240 M24
- C 7240 N24
- C 7240 O24
- C 7240 P24
- C 7240 Q24
- C 7240 R24
- C 7240 S24
- C 7240 T24
- C 7240 U24
- C 7240 V24
- C 7240 W24
- C 7240 X24
- C 7240 Y24
- C 7240 Z24
- C 7240 AA24
- C 7240 AB24
- C 7240 AC24
- C 7240 AD24
- C 7240 AE24
- C 7240 AF24
- C 7240 AG24
- C 7240 AH24
- C 7240 AI24
- C 7240 AJ24
- C 7240 AK24
- C 7240 AL24
- C 7240 AM24
- C 7240 AN24
- C 7240 AO24
- C 7240 AP24
- C 7240 AQ24
- C 7240 AR24
- C 7240 AS24
- C 7240 AT24
- C 7240 AU24
- C 7240 AV24
- C 7240 AW24
- C 7240 AX24
- C 7240 AY24
- C 7240 AZ24
- C 7240 BA24
- C 7240 BB24
- C 7240 BC24
- C 7240 BD24
- C 7240 BE24
- C 7240 BF24
- C 7240 BG24
- C 7240 BH24
- C 7240 BI24
- C 7240 BJ24
- C 7240 BK24
- C 7240 BL24
- C 7240 BM24
- C 7240 BN24
- C 7240 BO24
- C 7240 BP24
- C 7240 BQ24
- C 7240 BR24
- C 7240 BS24
- C 7240 BT24
- C 7240 BU24
- C 7240 BV24
- C 7240 BW24
- C 7240 BX24
- C 7240 BY24
- C 7240 BZ24
- C 7240 CA24
- C 7240 CB24
- C 7240 CC24
- C 7240 CD24
- C 7240 CE24
- C 7240 CF24
- C 7240 CG24
- C 7240 CH24
- C 7240 CI24
- C 7240 CJ24
- C 7240 CK24
- C 7240 CL24
- C 7240 CM24
- C 7240 CN24
- C 7240 CO24
- C 7240 CP24
- C 7240 CQ24
- C 7240 CR24
- C 7240 CS24
- C 7240 CT24
- C 7240 CU24
- C 7240 CV24
- C 7240 CW24
- C 7240 CX24
- C 7240 CY24
- C 7240 CZ24
- C 7240 DA24
- C 7240 DB24
- C 7240 DC24
- C 7240 DD24
- C 7240 DE24
- C 7240 DF24
- C 7240 DG24
- C 7240 DH24
- C 7240 DI24
- C 7240 DJ24
- C 7240 DK24
- C 7240 DL24
- C 7240 DM24
- C 7240 DN24
- C 7240 DO24
- C 7240 DP24
- C 7240 DQ24
- C 7240 DR24
- C 7240 DS24
- C 7240 DT24
- C 7240 DU24
- C 7240 DV24
- C 7240 DW24
- C 7240 DX24
- C 7240 DY24
- C 7240 DZ24
- C 7240 EA24
- C 7240 EB24
- C 7240 EC24
- C 7240 ED24
- C 7240 EE24
- C 7240 EF24
- C 7240 EG24
- C 7240 EH24
- C 7240 EI24
- C 7240 EJ24
- C 7240 EK24
- C 7240 EL24
- C 7240 EM24
- C 7240 EN24
- C 7240 EO24
- C 7240 EP24
- C 7240 EQ24
- C 7240 ER24
- C 7240 ES24
- C 7240 ET24
- C 7240 EU24
- C 7240 EV24
- C 7240 EW24
- C 7240 EX24
- C 7240 EY24
- C 7240 EZ24
- C 7240 FA24
- C 7240 FB24
- C 7240 FC24
- C 7240 FD24
- C 7240 FE24
- C 7240 FF24
- C 7240 FG24
- C 7240 FH24
- C 7240 FI24
- C 7240 FJ24
- C 7240 FK24
- C 7240 FL24
- C 7240 FM24
- C 7240 FN24
- C 7240 FO24
- C 7240 FP24
- C 7240 FQ24
- C 7240 FR24
- C 7240 FS24
- C 7240 FT24
- C 7240 FU24
- C 7240 FV24
- C 7240 FW24
- C 7240 FX24
- C 7240 FY24
- C 7240 FZ24
- C 7240 GA24
- C 7240 GB24
- C 7240 GC24
- C 7240 GD24
- C 7240 GE24
- C 7240 GF24
- C 7240 GG24
- C 7240 GH24
- C 7240 GI24
- C 7240 GJ24
- C 7240 GK24
- C 7240 GL24
- C 7240 GM24
- C 7240 GN24
- C 7240 GO24
- C 7240 GP24
- C 7240 GQ24
- C 7240 GR24
- C 7240 GS24
- C 7240 GT24
- C 7240 GU24
- C 7240 GV24
- C 7240 GW24
- C 7240 GX24
- C 7240 GY24
- C 7240 GZ24
- C 7240 HA24
- C 7240 HB24
- C 7240 HC24
- C 7240 HD24
- C 7240 HE24
- C 7240 HF24
- C 7240 HG24
- C 7240 HH24
- C 7240 HI24
- C 7240 HJ24
- C 7240 HK24
- C 7240 HL24
- C 7240 HM24
- C 7240 HN24
- C 7240 HO24
- C 7240 HP24
- C 7240 HQ24
- C 7240 HR24
- C 7240 HS24
- C 7240 HT24
- C 7240 HU24
- C 7240 HV24
- C 7240 HW24
- C 7240 HX24
- C 7240 HY24
- C 7240 HZ24
- C 7240 IA24
- C 7240 IB24
- C 7240 IC24
- C 7240 ID24
- C 7240 IE24
- C 7240 IF24
- C 7240 IG24
- C 7240 IH24
- C 7240 II24
- C 7240 IJ24
- C 7240 IK24
- C 7240 IL24
- C 7240 IM24
- C 7240 IN24
- C 7240 IO24
- C 7240 IP24
- C 7240 IQ24
- C 7240 IR24
- C 7240 IS24
- C 7240 IT24
- C 7240 IU24
- C 7240 IV24
- C 7240 IW24
- C 7240 IX24
- C 7240 IY24
- C 7240 IZ24
- C 7240 JA24
- C 7240 JB24
- C 7240 JC24
- C 7240 JD24
- C 7240 JE24
- C 7240 JF24
- C 7240 JG24
- C 7240 JH24
- C 7240 JI24
- C 7240 JJ24
- C 7240 JK24
- C 7240 JL24
- C 7240 JM24
- C 7240 JN24
- C 7240 JO24
- C 7240 JP24
- C 7240 JQ24
- C 7240 JR24
- C 7240 JS24
- C 7240 JT24
- C 7240 JU24
- C 7240 JV24
- C 7240 JW24
- C 7240 JX24
- C 7240 JY24
- C 7240 JZ24
- C 7240 KA24
- C 7240 KB24
- C 7240 KC24
- C 7240 KD24
- C 7240 KE24
- C 7240 KF24
- C 7240 KG24
- C 7240 KH24
- C 7240 KI24
- C 7240 KJ24
- C 7240 KK24
- C 7240 KL24
- C 7240 KM24
- C 7240 KN24
- C 7240 KO24
- C 7240 KP24
- C 7240 KQ24
- C 7240 KR24
- C 7240 KS24
- C 7240 KT24
- C 7240 KU24
- C 7240 KV24
- C 7240 KW24
- C 7240 KX24
- C 7240 KY24
- C 7240 KZ24
- C 7240 LA24
- C 7240 LB24
- C 7240 LC24
- C 7240 LD24
- C 7240 LE24
- C 7240 LF24
- C 7240 LG24
- C 7240 LH24
- C 7240 LI24
- C 7240 LJ24
- C 7240 LK24
- C 7240 LL24
- C 7240 LM24
- C 7240 LN24
- C 7240 LO24
- C 7240 LP24
- C 7240 LQ24
- C 7240 LR24
- C 7240 LS24
- C 7240 LT24
- C 7240 LU24
- C 7240 LV24
- C 7240 LW24
- C 7240 LX24
- C 7240 LY24
- C 7240 LZ24
- C 7240 MA24
- C 7240 MB24
- C 7240 MC24
- C 7240 MD24
- C 7240 ME24
- C 7240 MF24
- C 7240 MG24
- C 7240 MH24
- C 7240 MI24
- C 7240 MJ24
- C 7240 MK24
- C 7240 ML24
- C 7240 MN24
- C 7240 MO24
- C 7240 MP24
- C 7240 MQ24
- C 7240 MR24
- C 7240 MS24
- C 7240 MT24
- C 7240 MU24
- C 7240 MV24
- C 7240 MW24
- C 7240 MX24
- C 7240 MY24
- C 7240 MZ24
- C 7240 NA24
- C 7240 NB24
- C 7240 NC24
- C 7240 ND24
- C 7240 NE24
- C 7240 NF24
- C 7240 NG24
- C 7240 NH24
- C 7240 NI24
- C 7240 NJ24
- C 7240 NK24
- C 7240 NL24
- C 7240 NM24
- C 7240 NO24
- C 7240 NP24
- C 7240 NQ24
- C 7240 NR24
- C 7240 NS24
- C 7240 NT24
- C 7240 NU24
- C 7240 NV24
- C 7240 NW24
- C 7240 NX24
- C 7240 NY24
- C 7240 NZ24
- C 7240 OA24
- C 7240 OB24
- C 7240 OC24
- C 7240 OD24
- C 7240 OE24
- C 7240 OF24
- C 7240 OG24
- C 7240 OH24
- C 7240 OI24
- C 7240 OJ24
- C 7240 OK24
- C 7240 OL24
- C 7240 OM24
- C 7240 ON24
- C 7240 OO24
- C 7240 OP24
- C 7240 OQ24
- C 7240 OR24
- C 7240 OS24
- C 7240 OT24
- C 7240 OU24
- C 7240 OV24
- C 7240 OW24
- C 7240 OX24
- C 7240 OY24
- C 7240 OZ24
- C 7240 PA24
- C 7240 PB24
- C 7240 PC24
- C 7240 PD24
- C 7240 PE24
- C 7240 PF24
- C 7240 PG24
- C 7240 PH24
- C 7240 PI24
- C 7240 PJ24
- C 7240 PK24
- C 7240 PL24
- C 7240 PM24
- C 7240 PN24
- C 7240 PO24
- C 7240 PP24
- C 7240 PQ24
- C 7240 PR24
- C 7240 PS24
- C 7240 PT24
- C 7240 PU24
- C 7240 PV24
- C 7240 PW24
- C 7240 PX24
- C 7240 PY24
- C 7240 PZ24
- C 7240 QA24
- C 7240 QB24
- C 7240 QC24
- C 7240 QD24
- C 7240 QE24
- C 7240 QF24
- C 7240 QG24
- C 7240 QH24
- C 7240 QI24
- C 7240 QJ24
- C 7240 QK24
- C 7240 QL24
- C 7240 QM24
- C 7240 QN24
- C 7240 QO24
- C 7240 QP24
- C 7240 QQ24
- C 7240 QR24
- C 7240 QS24
- C 7240 QT24
- C 7240 QU24
- C 7240 QV24
- C 7240 QW24
- C 7240 QX24
- C 7240 QY24
- C 7240 QZ24
- C 7240 RA24
- C 7240 RB24
- C 7240 RC24
- C 7240 RD24
- C 7240 RE24
- C 7240 RF24
- C 7240 RG24
- C 7240 RH24
- C 7240 RI24
- C 7240 RJ24
- C 7240 RK24
- C 7240 RL24
- C 7240 RM24
- C 7240 RN24
- C 7240 RO24
- C 7240 RP24
- C 7240 RQ24
- C 7240 RR24
- C 7240 RS24
- C 7240 RT24
- C 7240 RU24
- C 7240 RV24
- C 7240 RW24
- C 7240 RX24
- C 7240 RY24
- C 7240 RZ24
- C 7240 SA24
- C 7240 SB24
- C 7240 SC24
- C 7240 SD24
- C 7240 SE24
- C 7240 SF24
- C 7240 SG24
- C 7240 SH24
- C 7240 SI24
- C 7240 SJ24
- C 7240 SK24
- C 7240 SL24
- C 7240 SM24
- C 7240 SN24
- C 7240 SO24
- C 7240 SP24
- C 7240 SQ24
- C 7240 SR24
- C 7240 SS24
- C 7240 ST24
- C 7240 SU24
- C 7240 SV24
- C 7240 SW24
- C 7240 SX24
- C 7240 SY24
- C 7240 SZ24
- C 7240 TA24
- C 7240 TB24
- C 7240 TC24
- C 7240 TD24
- C 7240 TE24
- C 7240 TF24
- C 7240 TG24
- C 7240 TH24
- C 7240 TI24
- C 7240 TJ24
- C 7240 TK24
- C 7240 TL24
- C 7240 TM24
- C 7240 TN24
- C 7240 TO24
- C 7240 TP24
- C 7240 TQ24
- C 7240 TR24
- C 7240 TS24
- C 7240 TT24
- C 7240 TU24
- C 7240 TV24
- C 7240 TW24
- C 7240 TX24
- C 7240 TY24
- C 7240 TZ24
- C 7240 UA24
- C 7240 UB24
- C 7240 UC24
- C 7240 UD24
- C 7240 UE24
- C 7240 UF24
- C 7240 UG24
- C 7240 UH24
- C 7240 UI24
- C 7240 UJ24
- C 7240 UK24
- C 7240 UL24
- C 7240 UM24
- C 7240 UN24
- C 7240 UO24
- C 7240 UP24
- C 7240 UQ24
- C 7240 UR24
- C 7240 US24
- C 7240 UT24
- C 7240 UV24
- C 7240 UW24
- C 7240 UX24
- C 7240 UY24
- C 7240 UZ24
- C 7240 VA24
- C 7240 VB24
- C 7240 VC24
- C 7240 VD24</



Reference	DE.....P 4-63	KSM.....P 4-31	Tube PCB...P 4-27
AL.....P 4-62	IO.....P 4-65	KSPD.....P 4-37	TV.....P 4-49
CO.....P 4-43	GSPD.....P 4-16	TU2.....P 4-52	VS.....P 4-59

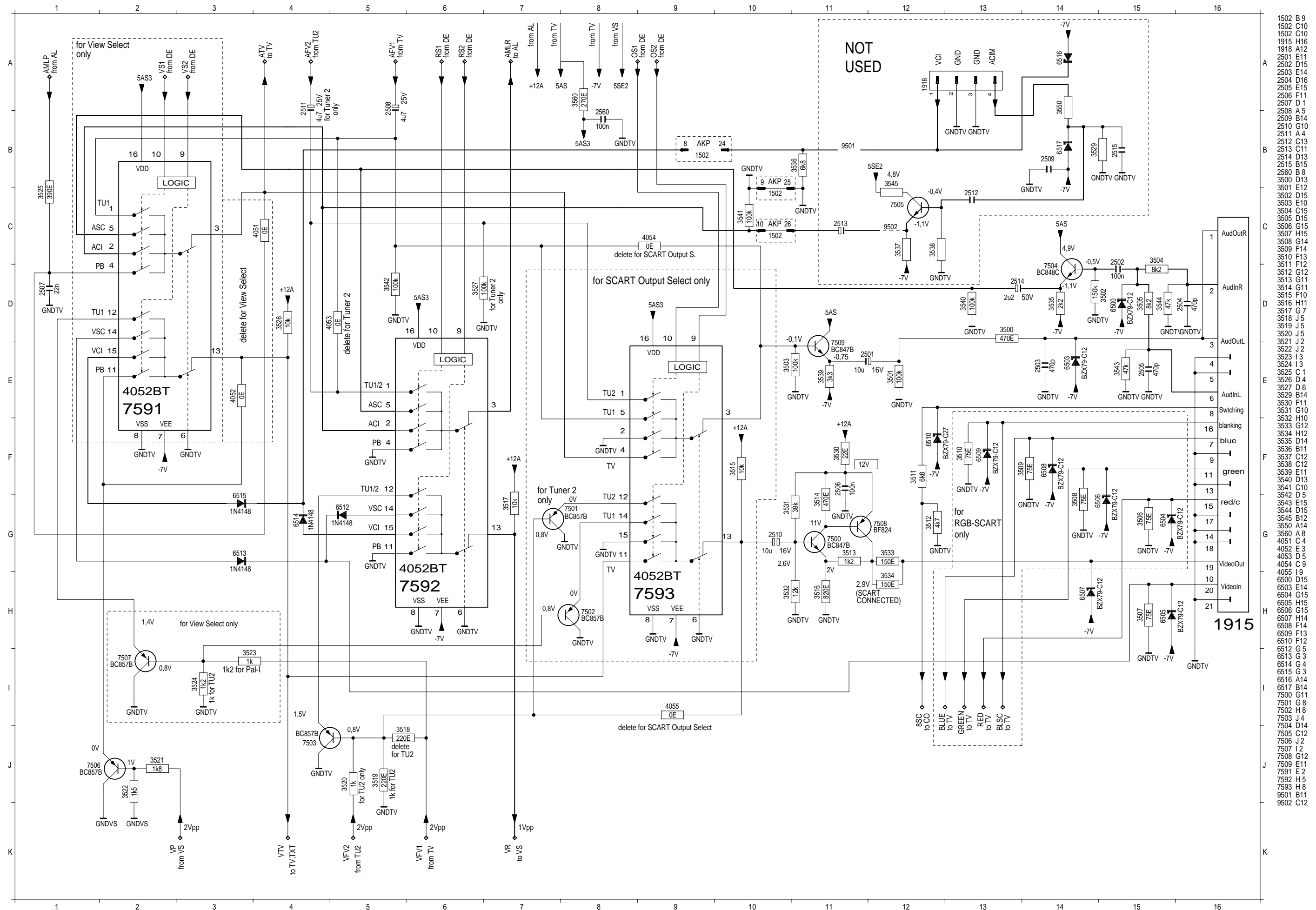


- 1301 G 4
- 1320 F 8
- 1322 D 9
- 1324 G 9
- 1340 K14
- 1345 J15
- 1346 I15
- 1501 L 1
- 2300 C11
- 2301 F 1
- 2302 J 2
- 2303 J 3
- 2304 D 7
- 2306 C11
- 2307 B12
- 2308 C13
- 2309 B14
- 2311 F 2
- 2313 I15
- 2314 J15
- 2315 J14
- 2316 E18
- 2317 F17
- 2318 D19
- 2319 D20
- 2320 G18
- 2321 I18
- 2322 I18
- 2323 I19
- 2324 I12
- 2325 H13
- 2328 F 6
- 2329 G 5
- 2330 F 6
- 2331 G 7
- 2332 F 6
- 2333 F 1
- 3300 E 3
- 3301 E 4
- 3302 F 4
- 3303 E 4
- 3304 J 1
- 3305 J 2
- 3306 J 3
- 3307 F 7
- 3310 J13
- 3312 D 7
- 3313 B 6
- 3315 B 8
- 3316 I15
- 3317 J15
- 3318 B12
- 3319 C12
- 3320 B14
- 3321 B14
- 3322 B16
- 3323 E17
- 3324 D20
- 3325 D20
- 3326 C21
- 3327 D21
- 3329 G20
- 3332 H18
- 3338 J14
- 3339 J14
- 3340 J14
- 3341 I11
- 3342 G 8
- 3343 G 8
- 3344 H 8
- 3345 G10
- 3346 G10
- 3347 F 5
- 3348 I14
- 3349 G 7
- 3350 G 7
- 3351 I 8
- 4020 E 9
- 4030 F 9
- 4031 E18
- 4032 E 5
- 4033 G17
- 4034 G17
- 4035 I17
- 4036 H15
- 4037 H14
- 4038 H14
- 4039 H13
- 4040 H12
- 4041 K13
- 4042 H11
- 4043 H11
- 4044 J16
- 4300 H12
- 4301 H19
- 4302 C15
- 4303 B15
- 4304 C18
- 4305 G18
- 4306 G19
- 4307 G18
- 5300 J 2
- 5301 F 7
- 5302 G 5
- 5303 C13
- 5304 J18
- 5305 F 7
- 5307 K14
- 6300 D 8
- 6301 D 8
- 6302 G 8
- 7300 E11
- 7301 D15
- 7304 F 3
- 7306 B 7
- 7307 C 8
- 7308 C16
- 7309 D21
- 7310 G20
- 7311 I20
- 7312 I13
- 7313 H16
- 7314 H 8
- 9000 G17

FOR TUNER2 ONLY

Signal-Chassis – IN/OUT (KSMD – IO)

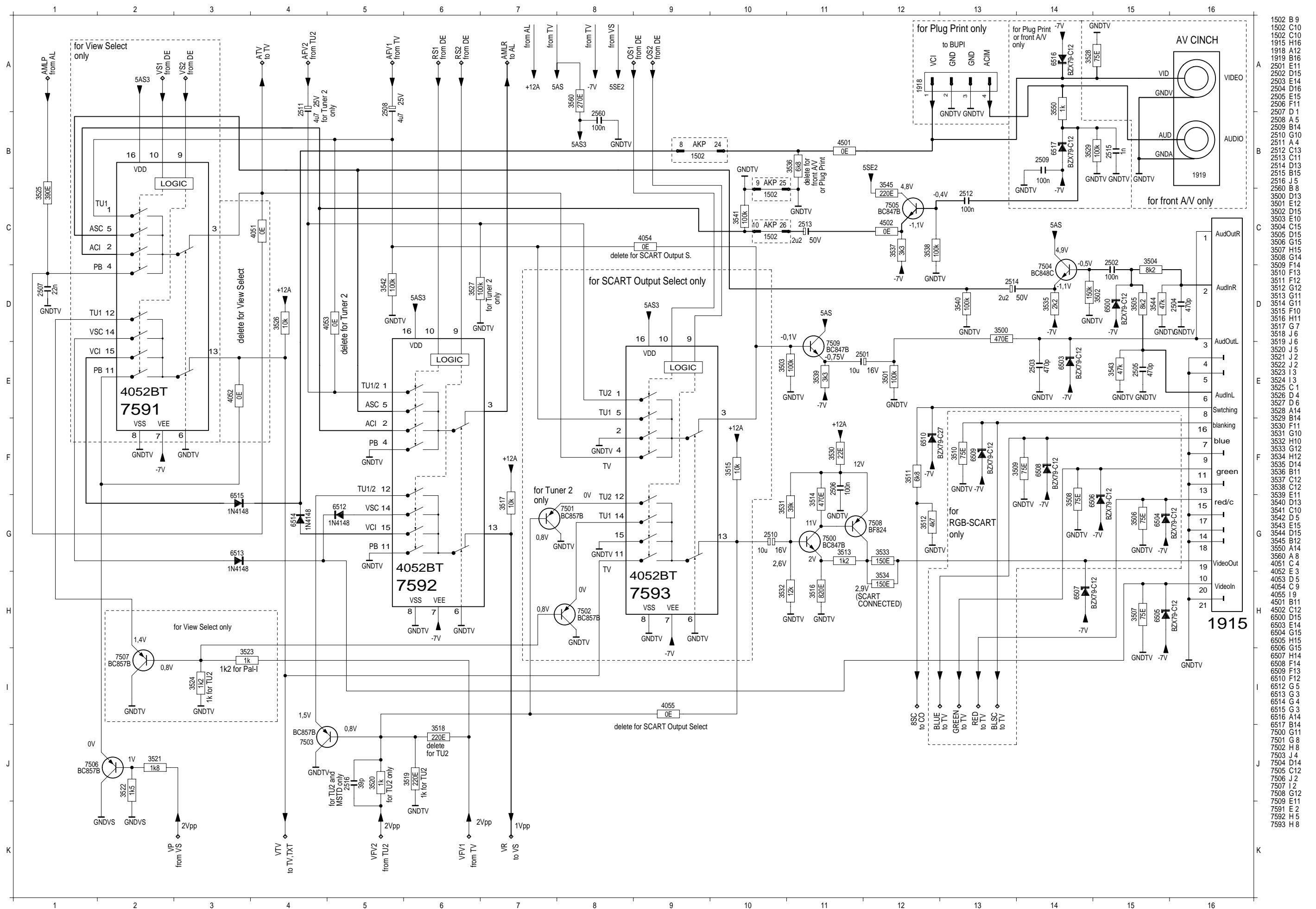
Reference	DE.....P 4-63	KSMD.....P 4-31	Tube PCB...P 4-27
AL.....P 4-62	IO.....P 4-55	KSPD.....P 4-37	TV.....P 4-49
CO.....P 4-43	GSPD.....P 4-16	TU2.....P 4-52	VS.....P 4-59



- 1502 B 9
- 1502 C10
- 1502 C10
- 1918 H16
- 1918 H12
- 2501 E11
- 2502 D15
- 2503 E14
- 2504 D16
- 2505 E15
- 2506 F11
- 2507 D 1
- 2508 A 5
- 2509 B14
- 2510 G10
- 2511 A 4
- 2512 C13
- 2513 C11
- 2514 D13
- 2515 B15
- 2560 B 8
- 3500 D13
- 3501 E12
- 3502 D15
- 3503 E10
- 3504 C15
- 3505 D15
- 3506 G15
- 3507 H15
- 3508 G14
- 3509 F14
- 3510 F13
- 3511 F12
- 3512 G12
- 3513 G11
- 3514 G11
- 3516 H10
- 3517 G 7
- 3518 J 5
- 3519 J 5
- 3520 J 5
- 3521 J 2
- 3522 J 2
- 3523 I 3
- 3524 C 3
- 3525 C 1
- 3526 D 4
- 3527 D 6
- 3529 B14
- 3530 F11
- 3531 G10
- 3532 H10
- 3533 G12
- 3534 H12
- 3535 D14
- 3536 B11
- 3537 C12
- 3538 C12
- 3539 E11
- 3540 D13
- 3541 C10
- 3542 D 5
- 3543 E15
- 3544 D15
- 3545 B12
- 3550 A14
- 3560 A 8
- 4051 C 4
- 4052 E 3
- 4053 D 5
- 4054 C 9
- 4055 I 9
- 6500 D15
- 6503 E14
- 6504 G15
- 6505 H15
- 6506 G15
- 6513 G 3
- 6512 G 5
- 6513 G 3
- 6514 G 4
- 6515 G 3
- 6516 A14
- 6517 B14
- 7500 G11
- 7501 G 8
- 7502 H 8
- 7503 J 4
- 7504 D14
- 7505 C12
- 7506 J 2
- 7507 I 2
- 7508 G12
- 7509 E11
- 7591 E 2
- 7592 H 5
- 7593 H 8
- 9501 B11
- 9502 C12

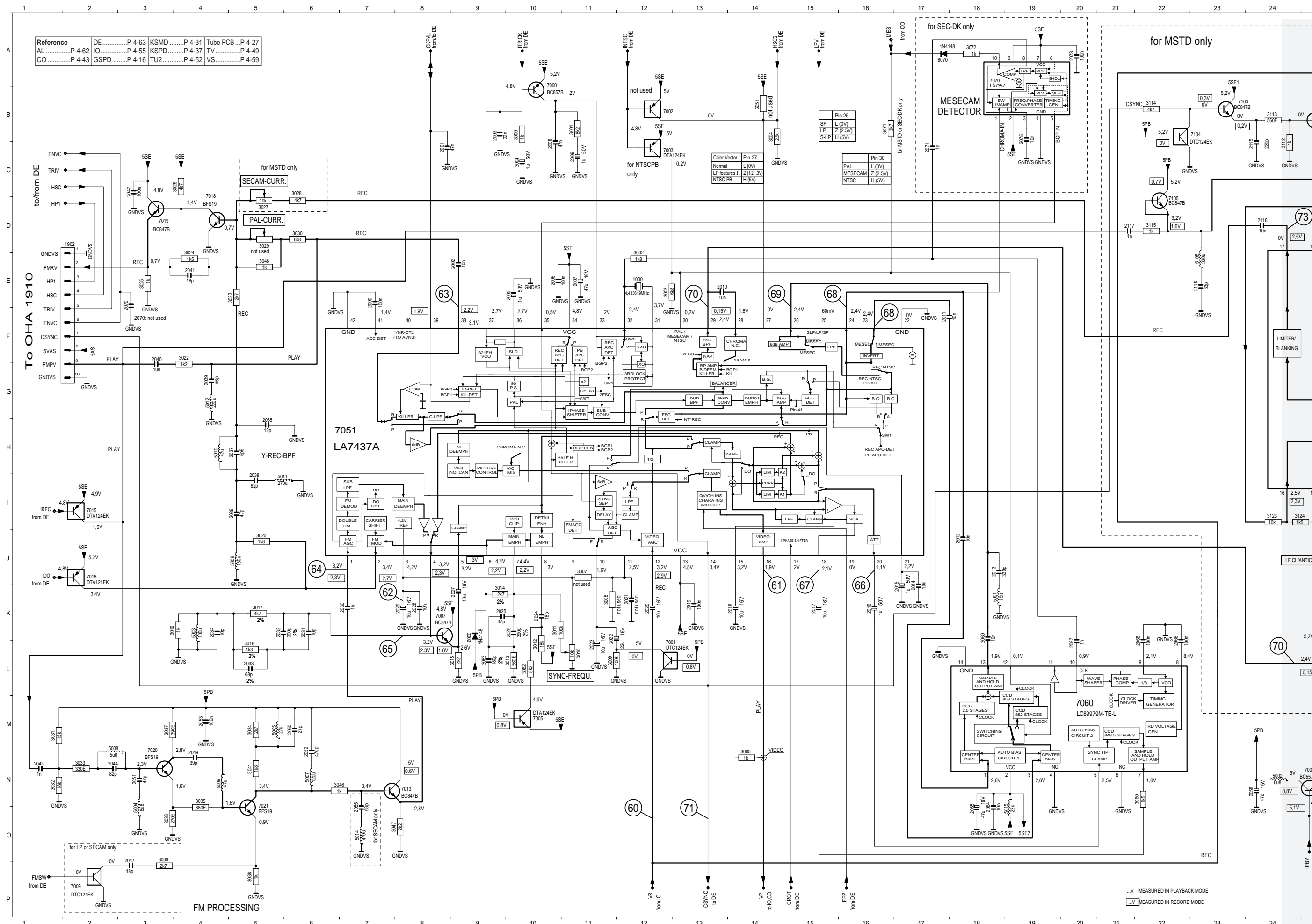
# Signal-Chassis – IN/OUT (KSPD – IO)

Reference	DE.....P 4-63	KSM D.....P 4-31	Tube PCB...P 4-27
AL.....P 4-62	IO.....P 4-65	KSPD.....P 4-37	TV.....P 4-49
CO.....P 4-43	GSPD.....P 4-16	TU2.....P 4-52	VS.....P 4-59





### Signal-Chassis – Video/Chroma (VS)

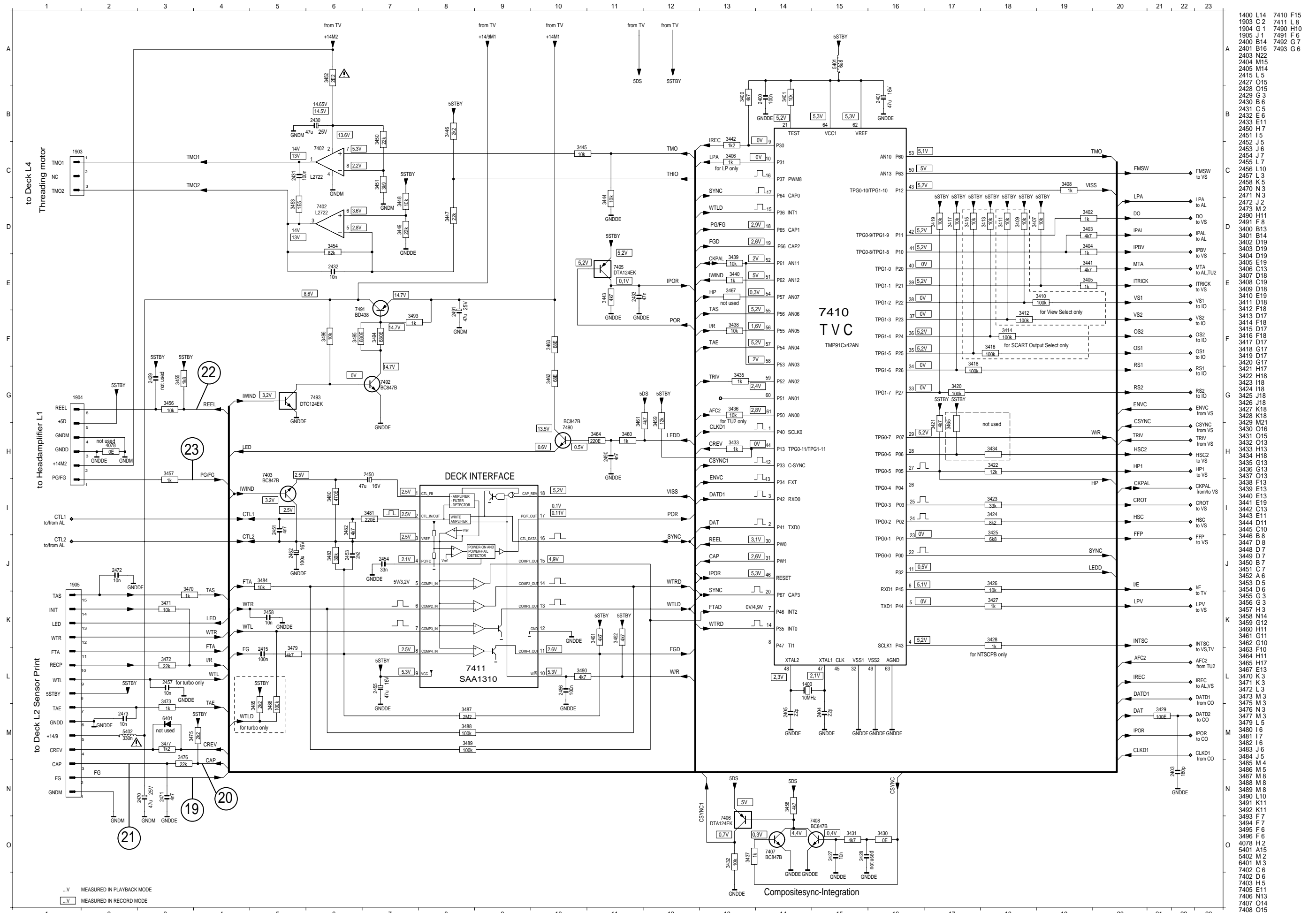






Signal-Chassis – Laufwerksteuerung / Deck-Elektronik (DE)
Signal Chassis – Deck Control / Deck Electronic (DE)

Reference table with columns: Reference, DE, KSMD, Tube PCB, TV, VS. Rows include AL, CO, and other component identifiers.



- Vertical list of component callouts on the right side of the diagram, including part numbers like 1400 L14, 1903 C2, 1904 G1, etc.

Ersatzteilliste  
Spare Parts List

02 / 97

ERSETZT AUSGABE 6/96  
SUBSTITUTE EDITION 6/96SACH-NR. / PART NO.: 77250-012.52 BESTELL-NR. / ORDER NO.: G.CD 4352 \*\*  
SACH-NR. / PART NO.: 77250-015.52 BESTELL-NR. / ORDER NO.: G.CD 6352 \*\*  
SACH-NR. / PART NO.: 77250-016.52 BESTELL-NR. / ORDER NO.: G.CD 6452 \*\*\*

POS. NR.	ABB.	SACHNUMMER	ANZ.	BEZEICHNUNG	DESCRIPTION
POS. NO.	FIG.	PART NUMBER	QTY.	(D)	(GB)
0001.000	4	75988-019.19		GEHAEUSEVORDERTEIL KPL.	CABINET FRONT ASSY
0001.500	4	75988-017.01		CASSETTENFACHKLAPPE	LIFT FLAP
0001.600	4	75988-012.02		SCHENKELFEDER	LEG SPRING
0001.700	4	75988-015.01		SCHRIFTZUG GRUNDIG	GRUNDIG-LABEL
0002.000	4	75988-015.03	4	SCHRAUBE F. BILDROEHRE	SCREW FOR PICTURE TUBE
0005.000	4	75988-015.06	4	KABELKLEMME	CABLE CLAMP
0005.100		75988-022.55		ANTENNE	ANTENNA
0005.700		75988-017.45		HALTER, FERNBEDIENUNG	HOLDER, REMOTE CONTROL
0008.000	4	75988-017.02		LAUTSPRECHERGITTER RECHTS KPL.	SPEAKER GRILLE RIGHT ASSY
0009.000		75988-017.03		LAUTSPRECHERGITTER LINKS KPL.	SPEAKER GRILLE LEFT ASSY
0018.000	4	75988-022.52		RUECKWAND	REAR PANEL
0021.000	4	75988-022.53		ABDECKUNG KPL. SCART	COVER CPL. SCART
0022.000	4	75988-022.54		KNOPF, EIN/AUS	KNOB, ON/OFF
0023.000	4	75988-015.10		DRUCKFEDER	PRESSURE SPRING
0024.000	△	75988-017.86		NETZKABEL 14"PAL+/59	POWER CABLE 14"PAL+/59
0028.000	4	75988-015.11	2	LAUFWERKHALTER, VORNE	TAPE DRIVE HOLDER, FRONT
0029.000	4	75988-015.12		LAUFWERKHALTER, HINTEN	TAPE DRIVE HOLDER, REAR
0031.000	4	8114-990-022	6	PLASTITE-SHR 3,5X16	SCREW 3,5X16
0033.000	1	27599-005.08		KOPFRAD 2/0 PAL	HEAD DISC 2/0 PAL
0034.000	1	75988-001.33		SCANNERMOTOR 2/0	SCANNERMOTOR 2/0
0035.000	4	75988-018.18	2	SCHRAUBE, AUDIO SUPPORT	SCREW, AUDIO SUPPORT
0040.000	△	27599-004.07		KOPFVERSTAERKER OHA 2/0	HEAD AMPLIFIER OHA 2/0
0046.000		75988-025.41		STOESSEL	EXTENSION
	△	75988-025.00	X	ECO-LW WDB 2/0	ECO TAPE DRIVE WDB 2/0
				KEIN E-TEIL	NO SPARE PART
	△	75988-018.53	X	LEISTUNGS-CHASSIS PLSP 14	POWER CHASSIS PLSP 14
				(LEISTUNGS-CHASSIS, BILDROHRPLATTE, BUCHSENPLATTE)	(POWER CHASSIS, PICTURE TUBE BOARD, SOCKET BOARD)
				KEIN E-TEIL	NO SPARE PART
	△	27599-103.26	X, *	LEISTUNGS-CHASSIS GSPD14	POWER CHASSIS GSPD14
				(LEISTUNGS-CHASSIS, BILDROHRPLATTE, BUCHSENPLATTE)	(POWER CHASSIS, PICTURE TUBE BOARD, SOCKET BOARD)
				KEIN E-TEIL	NO SPARE PART
	△	27599-101.32	X	SIGNALCHASSIS PSSMG1/GV	SIGNAL CHASSIS PSSMG1/GV
				KEIN E-TEIL	NO SPARE PART
	△	27599-101.47	X, *	SIGNALCHASSIS KSMDG1/GV	SIGNAL CHASSIS KSMDG1/GV
				KEIN E-TEIL	NO SPARE PART
	△	27599-101.33	X	SIGNALCHASSIS PSSMG3/GV	SIGNAL CHASSIS PSSMG3/GV
				KEIN E-TEIL	NO SPARE PART
	△	27599-101.48	X, *	SIGNALCHASSIS KSMDG3/GV	SIGNAL CHASSIS KSMDG3/GV
				KEIN E-TEIL	NO SPARE PART
	△	27599-101.34	X	SIGNALCHASSIS PSSMG2/GV	SIGNAL CHASSIS PSSMG2/GV
				KEIN E-TEIL	NO SPARE PART
	△	27599-101.49	X, *	SIGNALCHASSIS KSMPG2/GV	SIGNAL CHASSIS KSMPG2/GV
				KEIN E-TEIL	NO SPARE PART
0153.000		75988-017.06		FERNBEDIENGEGER TVP762	REMOTE CONTROL TVP 762
1010.000	4	75988-017.97		LAUTSPRECHER 8 OHM 3 W	SPEAKER 8OHM 3W

Btx \*32700#

ÄNDERUNGEN VORBEHALTEN  
SUBJECT TO ALTERATION

GRUNDIG

TVR

TVR 3701 SV

POS. NR.	ABB.	SACHNUMMER	ANZ.	BEZEICHNUNG	DESCRIPTION
				(D)	(GB)
1100.000	△ 4	75988-017.07		BILDROEHRE A34 JLL 90X74W	CRT A34JLL90X74W
5000.000	△	75988-017.08		ENTMAGNETISIERUNGSSPULE	DEGAUSSING COIL
5000.000	△	75988-026.37	*	ENTMAGNETISIERUNGSSPULE	DEGAUSSING COIL
1101.000		75988-018.05	2	HALTER (142MM)	HOLDER (142MM)
8001.000		75988-017.09		FLEX.LEITUNG, L3-1901 (7P)	FLEX. CABLE, L3-1901 7P.
8002.000		75988-017.10		FLEX.LEITUNG, L8-1900 (2P)	FLEX. CABLE, L8-1900 2P.
8003.000		75988-012.13		FLACHBANDKABEL L1-F4/1904 (6P)	FLAT FLEX CABLE, L1-F4/1904 6P.
8004.000		75988-017.47		FLEX.LEITUNG, L4-1903 (3P)	FLEX. CABLE, L4-1903 3P.
8005.000		75988-017.11		FLEX.LEITUNG, L2-1905 (15P)	FLEX. CABLE, L2-1905 15P.
8006.000		75988-017.12		FLEX.LEITUNG, 1941-1902 (10P)	FLEX. CABLE, 1941-1902 10P.
8007.000		75988-017.13		FLEX.LEITUNG, LSP-1914 (2P)	FLEX. CABLE, LSP-1914 2P.
8008.000		75988-017.14		FLEX.LEITUNG, 1913-1967 (5P)	FLEX. CABLE, 1913-1967 5P.
8011.000		75988-017.15		FLEX.LEITUNG, 1912-1923 (7P)	FLEX. CABLE, 1912-1923 7P.
8012.000		75988-017.16		FLEX.LEITUNG, 1911-1922 (5P)	FLEX. CABLE, 1911-1922 5P.
8012.000		75981-019.68	*	FLEX.LEITUNG, 1911-1922 UNGESCHIRMT	FLEX. CABLE, 1911-1922 UNSHIELDED
8013.000		75988-017.18		FLEX.LEITUNG, 1909-1921 (13P)	FLEX. CABLE, 1909-1921 13P.
8014.000		75988-324.35		FLEX.LEITUNG, HA-SC	FLEX. CABLE, HA-SC
		72010-524.70		BEDIENUNGSANLEITUNG D/I/E/P	INSTRUCTION MANUAL D/I/E/P
		72010-524.71		BEDIENUNGSANLEITUNG NL/F **	INSTRUCTION MANUAL NL/F **
		72010-524.72		BEDIENUNGSANLEITUNG S/N/DK/SF ***	INSTRUCTION MANUAL S/N/DK/SF ***
		72010-524.95		SERVICE MANUAL D/GB	SERVICE MANUAL D/GB
		72010-524.96		SERVICE MANUAL ERG. D/GB	SERVICE MANUAL SUPP. D/GB
		72010-524.98	*	SERVICE MANUAL ERG. D/GB	SERVICE MANUAL SUPP. D/GB

X = SIEHE GESONDERTE E-LISTE  
\* = AB ENTWICKLUNGSCODE "AB"X = SEE SEPARATE PARTS LIST  
\* = FROM DEVELOPMENT CODE "AB"

Es gelten die Vorschriften und Sicherheitshinweise gemäß dem Service Manual "Sicherheit", Sach-Nummer 72010-800.00, sowie zusätzlich die eventuell abweichenden, landesspezifischen Vorschriften!



The regulations and safety instructions shall be valid as provided by the "Safety" Service Manual, part number 72010-800.00, as well as the respective

Btx \*32700#

ÄNDERUNGEN VORBEHALTEN / SUBJECT TO ALTERATION

Ersatzteilliste  
Spare Parts List

TVR

02 / 97

TVR 3705

SACH-NR. / PART NO.: 77250-070.75  
 SACH-NR. / PART NO.: 77250-071.75  
 SACH-NR. / PART NO.: 77250-072.75

BESTELL-NR. / ORDER NO.: G.CF 7475  
 BESTELL-NR. / ORDER NO.: G.CF 7575 \*  
 BESTELL-NR. / ORDER NO.: G.CF 7675 \*\*

POS. NR. ABB. POS. NO. FIG.	SACHNUMMER PART NUMBER	ANZ. QTY.	BEZEICHNUNG (D)	DESCRIPTION (GB)
0001.000	3 75988-017.00		GEHAUSEVORDERTEIL KPL.	CABINET FRONT ASSY
0001.500	3 75988-017.01		CASSETTENFACHKLAPPE	LIFT FLAP
0001.600	3 75988-000.08		SCHENKELFEDER	LEG SPRING
0001.700	3 75988-015.01		SCHRIFTZUG GRUNDIG	GRUNDIG-LABEL
0002.000	3 75988-015.03	4	SCHRAUBE F. BILDROEHRE	SCREW FOR PICTURE TUBE
0005.000	3 75988-015.06	5	KABELKLEMME	CABLE CLAMP
0005.100	3 75988-015.14		ANTENNE	ANTENNA
0005.700	3 75988-017.45		HALTER, FERNBEDIENUNG	HOLDER, REMOTE CONTROL
0008.000	3 75988-017.02		LAUTSPRECHERGITTER RE KPL	SPEAKER GRILLE RIGHTH CPL.
0009.000	3 75988-017.03		LAUTSPRECHERGITTER LI KPL	SPEAKER GRILLE LEFT CPL.
0018.000	3 75988-017.04		RUECKWAND KPL.	REAR PANEL CPL.
0021.000	3 75988-022.53		ABDECKUNG KPL. SCART	COVER CPL.
0022.000	3 75988-017.40		KNOPF EIN/AUS	KNOB ON/OFF
0023.000	3 75988-017.42		DRUCKFEDER	PRESSURE SPRING
0024.000	Δ 75988-017.86		NETZKABEL 14" PAL+/59	POWER CABLE 14" PAL+/59
0028.000	3 75988-015.11		LAUFWERKHALTER, VORNE	TAPE DRIVE BRACKET, FRONT
0029.000	3 75988-015.12		LAUFWERKHALTER, HINTEN	TAPE DRIVE BRACKET, REAR
0031.000	3 8114-990-022	6	PLASTITE-SHR 3,5X16	SCREW 3,5X16
0033.000	1 27599-005.08		KOPFRAD 2/0 PAL	HEAD DISC 2/0 PAL
0034.000	1 75988-001.33		SCANNERMOTOR 2/0	SCANNERMOTOR 2/0
0035.000	3 75988-018.18		SCHRAUBE, AUDIO SUPPORT	SCREW, AUDIO SUPPORT
0037.000	3 75988-025.33		AV-ABDECKUNG	AV COVER
0038.000	3 75988-017.87		AV-EINGANG	AV INSERT
0040.000	Δ 27599-004.07		KOPFVERSTAERKER OHA 2/0	HEAD AMPLIFIER OHA 2/0
	Δ 75988-025.00	X	ECO-LW WDB 2/0 KEIN E-TEIL	ECO TAPE DRIVER WDB 2/0 NO SPARE PART
	Δ 27599-103.25	X	LEISTUNGSSCHASSIS GSPD14B (LEISTUNGS-CHASSIS, BILDROHRPLATTE, NETZSCHALTERPLATTE, BUCHSENPLATTE) KEIN E-TEIL	POWER CHASSIS GSPD14B (POWER CHSSIS, PICTURE TUBE BOARD, POWER SUPPLY BOARD, SOCKET BOARD) NO SPARE PART
	Δ 27599-101.51	X	SIGNALCHASSIS KSPDG1/GVF KEIN E-TEIL	SIGNALCHASSIS KSPDG1/GVF NO SPARE PART
	Δ 27599-101.52	X	SIGNALCHASSIS KSPDG1/GF * KEIN E-TEIL	SIGNALCHASSIS KSPDG1/GF * NO SPARE PART
	Δ 27599-101.53	X	SIGNALCHASSIS KSPDG2/GF ** KEIN E-TEIL	SIGNALCHASSIS KSPDG2/GF ** NO SPARE PART
0153.000	75988-019.97		FERNBEDIENGEGER TVP 763	REMOTE CONTROL TVP 763
1010.000	3 75988-017.97		LAUTSPRECHER 8 OHM 3 W	SPEAKER 8OHM 3W
1100.000	Δ 3 75988-017.07		BILDROEHRE A34 JLL 90X74W	PICTURE TUBE A34JLL90X74W
1101.000	75988-018.05	2	HALTER 142MM	HOLDER 142 MM
5000.000	Δ 75988-026.37		SPULE ENTMAGNETISIERUNG	COIL DEGAUSSING
8001.000	75988-017.09		FLEXIBLE LEITUNG, L3-1901 (7P)	FLEXIBLE CABLE, L3-1901 (7P)
8002.000	75988-017.10		FLEXIBLE LEITUNG, L8-1900 (2P)	FLEXIBLE CABLE, L8-1900 (2P)
8003.000	75988-003.20		FLEXIBLE LEITUNG, L1-F4 (6P)	FLEXIBLE CABLE, L1-F4 (6P)
8004.000	75988-017.47		FLEXIBLE LEITUNG, L4-1903 (3P)	FLEXIBLE CABLE, L4-1903 (3P)
8005.000	75988-017.11		FLEXIBLE LEITUNG, L2-1905 (15P)	FLEXIBLE CABLE, L2-1905 (15P)
8006.000	75988-017.12		FLEXIBLE LEITUNG, 1941-1902 (10P)	FLEXIBLE CABLE, 1941-1902 (10P)
8007.000	75988-017.13		FLEXIBLE LEITUNG, LSP-1914 (2P)	FLEXIBLE CABLE, LSP-1914 (2P)
8008.000	75988-017.14		FLEXIBLE LEITUNG, 1913-1967 (5P)	FLEXIBLE CABLE, 1913-1967 (5P)

Btx \*32700#

ÄNDERUNGEN VORBEHALTEN  
SUBJECT TO ALTERATION

POS. NR. ABB. POS. NO. FIG.	SACHNUMMER PART NUMBER	ANZ. QTY.	BEZEICHNUNG (D)	DESCRIPTION (GB)
8011.000	75988-017.15		FLEXIBLE LEITUNG, 1912-1923 (7P)	FLEXIBLE CABLE, 1912-1923 (7P)
8012.000	75981-019.68		FLEXIBLE LEITUNG, 1911-1922 UNGSCHIRMT	FLEXIBLE CABLE, 1911-1922 UNSHIELDED
8013.000	75988-017.18		FLEXIBLE LEITUNG, 1909-1921 (13P)	FLEXIBLE CABLE, 1909-1921 (13P)
8014.000	75988-324.35		FLEXIBLE LEITUNG, HA-SC	FLEXIBLE CABLE, HA-SC
8017.000	75988-017.19		FLEXIBLE LEITUNG, 1971-1935 (3P)	FLEXIBLE CABLE, 1971-1935 (3P)
8018.000	75988-017.20		FLEXIBLE LEITUNG, 1918-1937 (4P)	FLEXIBLE CABLE, 1918-1937 (4P)
	72010-530.15		BEDIENUNGSANLEITUNG D/II/E/P	INSTRUCTION MANUAL D/II/E/P
	72010-530.16		BEDIENUNGSANLEITUNG NL/F	INSTRUCTION MANUAL NL/F
	72010-530.17		BEDIENUNGSANLEITUNG S/DK/SF/N	INSTRUCTION MANUAL S/DK/SF/N
	72010-524.95		SERVICE MANUAL D/GB	SERVICE MANUAL D/GB
	72010-524.98		SERVICE MANUAL ERG. D/GB	SERVICE MANUAL SUPPL. D/GB

X = SIEHE GESONDERTE E-LISTE

X = SEE SEPARATE PARTS LIST

Es gelten die Vorschriften und Sicherheitshinweise gemäß dem Service Manual "Sicherheit", Sach-Nummer 72010-800.00, sowie zusätzlich die eventuell abweichenden, landesspezifischen Vorschriften!



The regulations and safety instructions shall be valid as provided by the "Safety" Service Manual, part number 72010-800.00, as well as the respective national deviations.

Btx \*32700#

ÄNDERUNGEN VORBEHALTEN / SUBJECT TO ALTERATION

Ersatzteilliste  
Spare Parts List

02 / 97

ERSETZT AUSGABE 4/96  
SUBSTITUTE EDITION 4/96SACH-NR. / PART NO.: 77250-020.75  
BESTELL-NR. / ORDER NO.: G.CC 2675

GRUNDIG

TVR

TVR 3710

POS. NR. POS. NO.	ABB. FIG.	SACHNUMMER PART NUMBER	ANZ. QTY.	BEZEICHNUNG (D)	DESCRIPTION (GB)
0001.000	4	75988-017.00		GEHAUESEVORDERTEIL KPL.	CABINET FRONT ASSY
0001.500	4	75988-017.01		CASSETTENFACHKLAPPE KPL.	LIFT FLAP
0001.600	4	75988-012.02		SCHENKELFEDER	LEG SPRING
0001.700	4	75988-015.01		SCHRIFTZUG	LABEL
0002.000	4	75988-015.03	4	SCHRAUBE F. BILDROEHRE	SCREW FOR PICTURE TUBE
0005.000	4	75988-015.06	5	KABELKLEMME	CABLE CLAMP
0005.100		75988-022.55		ANTENNE	ANTENNA
0005.700		75988-017.45		HALTER, FERNBEDIENUNG	HOLDER, REMOTE CONTROL
0008.000	4	75988-017.02	2	LAUTSPRECHERGITTER RECHTS KPL.	SPEAKER GRILLE RIGHT ASSY
0009.000		75988-017.03		LAUTSPRECHERGITTER LINKS KPL.	SPEAKER GRILLE LEFT ASSY
0018.000	4	75988-017.04		RUECKWAND KPL.	REAR PANEL ASSY
0021.000	4	75988-022.53		ABDECKUNG KPL. SCART	COVER COMPL. SCART
0022.000	4	75988-017.40		KNOPF EIN/AUS	KNOB ON/OFF
0023.000	4	75988-017.42		DRUCKFEDER	PRESSURE SPRING
0024.000	△	75988-017.86		NETZKABEL 14"PAL+59	POWER CABLE 14"PAL+59
0028.000	4	75988-015.11	2	LAUFWERKHALTER, VORNE	TAPE DRIVE HOLDER, FRONT
0029.000	4	75988-015.12		LAUFWERKHALTER, HINTEN	TAPE DRIVE HOLDER, REAR
0031.000	4	8114-990-022	6	PLASTITE-SHR 3,5X16	SCREW 3,5X16
0033.000	1	27599-005.08		KOPFRAD 2/0 PAL LP	HEAD DISC 2/0 PAL LP
0034.000	1	75988-001.33		SCANNERMOTOR 2/0	SCANNER MOTOR 2/0
0035.000	4	75988-018.18	2	SCHRAUBE, AUDIO SUPPORT	SCREW, AUDIO SUPPORT
0037.000	4	75988-025.33		AV-ABDECKUNG	AV CAP
0038.000	4	75988-017.87		AV-EINGANG	AV INPUT
0040.000	△	27599-004.07		KOPFVERSTAERKER OHA 2/0	HEAD AMPLIFIER OHA 2/0
	△	75988-025.01	X	HSD-LW WDBT 2/0 KEIN E-TEIL	HSD TAPE DRIVE WDBT 2/0 NO SPARE PART
	△	75988-018.50	X	LEISTUNGS-CHASSIS PLSP14B (LEISTUNGS-CHASSIS, BILDROHRPLATTE, BUCHSENPLATTE) KEIN E-TEIL	POWER CHASSIS PLSP14B (POWER CHSSIS, PICTURE TUBE BOARD, SOCKET BOARD) NO SPARE PART
	△	27599-103.25	X, *	LEISTUNGS-CHASSIS GSPD14B (LEISTUNGS-CHASSIS, BILDROHRPLATTE, BUCHSENPLATTE) KEIN E-TEIL	POWER CHASSIS GSPD14B (POWER CHSSIS, PICTURE TUBE BOARD, SOCKET BOARD) NO SPARE PART
	△	75988-018.70	X	SIGNALCHASSIS PSSPG1/GVXF KEIN E-TEIL	SIGNAL CHASSIS PSSPG1/GVXF NO SPARE PART
	△	27599-101.37	X, *	SIGNALCHASSIS KSPDG1/GVXF KEIN E-TEIL	SIGNAL CHASSIS KSPDG1/GVXF NO SPARE PART
0153.000		75988-017.06		FERNBEDIENGEGER TVP762	REMOTE CONTROL TVP762
1010.000	4	75988-017.97		LAUTSPRECHER 8 OHM 3 W	LOUDSPEAKER 8OHM 3W
1100.000	△ 4	75988-017.07		BILDROEHRE A34 JLL 90X74W	CRT A34 JLL 90X74W
1101.000	△ 4	75988-018.05	2, *	HALTER (142MM)	HOLDER (142MM)
5000.000	△	75988-017.08	*	ENTMAGNETISIERUNGSSPULE	DEGAUSSING COIL
5000.000	△	75988-026.37	*	ENTMAGNETISIERUNGSSPULE	DEGAUSSING COIL
8001.000		75988-017.09		FLEXIBLE LEITUNG, L3-1901 (7P)	FLEXIBLE CABLE, L3-1901 (7P)
8002.000		75988-017.10		FLEXIBLE LEITUNG, L8-1900 (2P)	FLEXIBLE CABLE, L8-1900 (2P)
8003.000		75988-012.13		FLEXIBLE LEITUNG, L1-F4 (6P)	FLEXIBLE CABLE, L1-F4 (6P)
8004.000		75988-017.47		FLEXIBLE LEITUNG, L4-1903 (3P)	FLEXIBLE CABLE, L4-1903 (3P)
8005.000		75988-017.11		FLEXIBLE LEITUNG, L2-1905 (15P)	FLEXIBLE CABLE, L2-1905 (15P)

Btx \*32700#

ÄNDERUNGEN VORBEHALTEN  
SUBJECT TO ALTERATION

POS. NR. POS. NO.	ABB. FIG.	SACHNUMMER PART NUMBER	ANZ. QTY.	BEZEICHNUNG (D)	DESCRIPTION (GB)
8006.000		75988-017.12		FLEXIBLE LEITUNG, 1941-1902 (10P)	FLEXIBLE CABLE, 1941-1902 (10P)
8007.000		75988-017.13		FLEXIBLE LEITUNG, LSP-1914 (2P)	FLEXIBLE CABLE, LSP-1914 (2P)
8008.000		75988-017.14		FLEXIBLE LEITUNG, 1913-1967 (5P)	FLEXIBLE CABLE, 1913-1967 (5P)
8011.000		75988-017.15		FLEXIBLE LEITUNG, 1912-1923 (7P)	FLEXIBLE CABLE, 1912-1923 (7P)
8012.000		75988-017.16		FLEXIBLE LEITUNG, 1911-1922 (5P)	FLEXIBLE CABLE, 1911-1922 (5P)
8012.000		75981-019.68	*	FLEXIBLE LEITUNG, 1911-1922 UNGESCHIRMT	FLEXIBLE CABLE, 1911-1922 UNSHIELDED
8013.000		75988-017.18		FLEXIBLE LEITUNG, 1909-1921 (13P)	FLEXIBLE CABLE, 1909-1921 (13P)
8014.000		75988-324.35		FLEXIBLE LEITUNG, HA-SC	FLEXIBLE CABLE, HA-SC
8017.000		75988-017.19		FLEXIBLE LEITUNG, 1971-1935 (3P)	FLEXIBLE CABLE, 1971-1935 (3P)
8018.000		75988-017.20		FLEXIBLE LEITUNG, 1918-1937 (4P)	FLEXIBLE CABLE, 1918-1937 (4P)
		72010-524.75		BEDIENUNGSANLEITUNG D/I/E/P	INSTRUCTION MANUALE D/I/E/P
		72010-524.95		SERVICE MANUAL D/GB	SERVICE MANUAL D/GB
		72010-524.98		SERVICE MANUAL ERG. D/GB	SERVICE MANUAL SUPPL. D/GB

X = SIEHE GESONDERTE E-LISTE  
\* = AB ENTWICKLUNGSCODE "AB"X = SEE SEPARATE PARTS LIST  
\* = FROM DEVELOPMENT CODE "AB"Es gelten die Vorschriften und Sicherheitshinweise  
gemäß dem Service Manual "Sicherheit", Sach-Num-  
mer 72010-800.00, sowie zusätzlich die eventuell ab-  
weichenden, landesspezifischen Vorschriften!The regulations and safety instructions shall be valid  
as provided by the "Safety" Service Manual, part  
number 72010-800.00, as well as the respective  
national deviations.

Btx \*32700#

ÄNDERUNGEN VORBEHALTEN / SUBJECT TO ALTERATION

# Ersatzteilliste Spare Parts List

## 02 / 97

ERSETZT AUSGABE 4/96  
SUBSTITUTE EDITION 4/96

POS. NR. POS. NO.	ABB. FIG.	SACHNUMMER PART NUMBER	ANZ. QTY.	BEZEICHNUNG (D)	DESCRIPTION (GB)
0001.000	4	75988-017.00		GEHAEUSEVORDERTEIL	CABINET FRONT
0001.500	4	75988-017.01		CASSETTENFACHKLAPPE	LIFT FLAP
0001.600	4	75988-000.08		SCHENKELFEDER	LEG SPRING
0001.700	4	75988-015.01		SCHRIFTZUG	WORDMARK
0002.000	4	75988-015.03	4	SCHRAUBE F. BILDROEHRE	SCREW FOR PICTURE TUBE
0005.000	4	75988-015.06	5	KABELKLEMME	CABLE CLAMP
0005.100		75988-022.55		ANTENNE	ANTENNA
0008.000	4	75988-017.02		LAUTSPRECHERGITTER RE KPL.	SPEAKER GRILLE RH CPL.
0009.000		75988-017.03		LAUTSPRECHERGITTER LI KPL.	SPEAKER GRILLE LEFT CPL.
0018.000	4	75988-017.04		RUECKWAND KPL.	REAR PANEL CPL.
0021.000	4	75988-022.53		ABDECKUNG KPL. SCART	COVER COMPL.
0022.000	4	75988-017.40		KNOPF EIN/AUS	KNOB ON/OFF
0023.000	4	75988-017.42		DRUCKFEDER	PRESSURE SPRING
0024.000	△	75988-019.02		NETZKABEL 14" GB/05	POWER CABLE 14" GB/05
0028.000	4	75988-015.11	2	LAUFWERKHALTER, VORNE	TAPE DRIVE HOLDER, FRONT
0029.000	4	75988-015.12		LAUFWERKHALTER, HINTEN	TAPE DRIVE HOLDER, REAR
0031.000	4	8114-990-022	6	PLASTITE SHR 3,5X16	SCREW 3,5X16
0033.000	1	27599-005.07		KOPFRAD 2/0 LP PAL	HEAD DISC 3,5X16
0034.000	1	75988-001.33		SCANNERMOTOR 2/0	SCANNER MOTOR 2/0
0035.000	4	75988-018.18	2	SCHRAUBE, AUDIO SUPPORT	SCREW, AUDIO SUPPORT
0037.000	4	75988-025.33		AV-ABDECKUNG	AV-CAP
0038.000	4	75988-017.87		AV-EINGANG	AV INPUT
0040.000	△	27599-004.08		KOPFVERSTAERKER OHA 2/0 LP	HEAD AMPLIFIER OHA 2/0 LP
	△	75988-025.00	X	ECO-LW WDB 2/0 L/P KEIN E-TEIL	ECO TAPE DRIVE WDB 2/0 NO SPARE PART
	△	75988-018.50	X	LEISTUNGS-CHASSIS PLSP14B (LEISTUNGS-CHASSIS, BILDROHRPLATTE, BUCHSENPLATTE) KEIN E-TEIL	POWER CHASSIS PLSP14B (POWER CHSSIS, PICTURE TUBE BOARD, SOCKET BOARD) NO SPARE PART
	△	27599-103.25	X, *	LEISTUNGS-CHASSIS GSPD14B (LEISTUNGS-CHASSIS, BILDROHRPLATTE, BUCHSENPLATTE) KEIN E-TEIL	POWER CHASSIS GSPD14B (POWER CHSSIS, PICTURE TUBE BOARD, SOCKET BOARD) NO SPARE PART
	△	75988-018.78	X	SIGNALCHASSIS PSSPG1/ILPPVXT KEIN E-TEIL	SIGNAL CHASSIS PSSPG1/ILPPVXT NO SPARE PART
	△	27599-101.46	X, *	SIGNALCHASSIS KSPDG1/ILPPVXF KEIN E-TEIL	SIGNAL CHASSIS KSPDG1/ILPPVXF NO SPARE PART
0153.000		75988-017.06		FERNBEDIENGEBER TVP762	REMOTE CONTROL TVP 762
1010.000	4	75988-017.97		LAUTSPRECHER 8 OHM 3 W	SPEAKER 8OHM 3W
1100.000	△ 4	75988-017.07		BILDROEHRE A34 JLL 90X74W	PICTURE TUBE A34JLL90X74W
5000.000	△	75988-017.08		ENTMAGNETISIERUNGSSPULE	DEGAUSSING COIL
5000.000	△	75988-026.37	*	ENTMAGNETISIERUNGSSPULE	DEGAUSSING COIL
8001.000		75988-017.09		FLEXIBLE LEITUNG, L3-1901 (7P)	FLEXIBLE CABLE, L3-1901 (7P)
8002.000		75988-026.07		FLEXIBLE LEITUNG, L8-1900 (2P)	FLEXIBLE CABLE, L8-1900 (2P)
8003.000		75988-003.20		FLEXIBLE LEITUNG, L1-F4 (6P)	FLEXIBLE CABLE, L1-F4 (6P)
8004.000		75988-017.47		FLEXIBLE LEITUNG, L4-1903 (3P)	FLEXIBLE CABLE, L4-1903 (3P)
8005.000		75988-017.11		FLEXIBLE LEITUNG, L2-1905 (15P)	FLEXIBLE CABLE, L2-1905 (15P)
8006.000		75988-017.12		FLEXIBLE LEITUNG, 1941-1902 (10P)	FLEXIBLE CABLE, 1941-1902 (10P)
8007.000		75988-017.13		FLEXIBLE LEITUNG, LSP-1914 (2P)	FLEXIBLE CABLE, LSP-1914 (2P)

Btx \*32700#

ÄNDERUNGEN VORBEHALTEN  
SUBJECT TO ALTERATION

# GRUNDIG

## TVR

## TVR 3710 GB

SACH-NR. / PART NO.: 77250-023.75  
BESTELL-NR. / ORDER NO.: G.CC 2875 GB

POS. NR. POS. NO.	ABB. FIG.	SACHNUMMER PART NUMBER	ANZ. QTY.	BEZEICHNUNG (D)	DESCRIPTION (GB)
8008.000		75988-017.14		FLEXIBLE LEITUNG, 1913-1967 (5P)	FLEXIBLE CABLE, 1913-1967 (5P)
8011.000		75988-026.14		FLEXIBLE LEITUNG, 1912-1923 (7P)	FLEXIBLE CABLE, 1912-1923 (7P)
8012.000		75988-017.16		FLEXIBLE LEITUNG, 1911-1922 (5P)	FLEXIBLE CABLE, 1911-1922 (5P)
8012.000		75981-019.68	*	FLEXIBLE LEITUNG, 1911-1922 UNGESCHIRMT	FLEXIBLE CABLE, 1911-1922 UNSHIELDED
8013.000		75988-017.18		FLEXIBLE LEITUNG, 1909-1921 (13P)	FLEXIBLE CABLE, 1909-1921 (13P)
8014.000		75988-324.35		FLEXIBLE LEITUNG, HA-SC	FLEXIBLE CABLE, HA-SC
8017.000		75988-017.19		FLEXIBLE LEITUNG, 1971-1935 (3P)	FLEXIBLE CABLE, 1971-1935 (3P)
8018.000		75988-017.20		FLEXIBLE LEITUNG, 1918-1937 (4P)	FLEXIBLE CABLE, 1918-1937 (4P)
		72010-524.76		BEDIENUNGSANLEITUNG GB	INSTRUCTION MANUAL GB
		72010-524.95		SERVICE MANUAL D/GB	SERVICE MANUAL D/GB
		72010-524.98		SERVICE MANUAL ERG. D/GB	SERVICE MANUAL SUPPL. D/GB

X = SIEHE GESONDERTE E-LISTE  
\* = AB ENTWICKLUNGSCODE "AB"

X = SEE SEPARATE PARTS LIST  
\* = FROM DEVELOPMENT CODE "AB"

Es gelten die Vorschriften und Sicherheitshinweise gemäß dem Service Manual "Sicherheit", Sach-Nummer 72010-800.00, sowie zusätzlich die eventuell abweichenden, landesspezifischen Vorschriften!



The regulations and safety instructions shall be valid as provided by the "Safety" Service Manual, part number 72010-800.00, as well as the respective national deviations.

Btx \*32700#

ÄNDERUNGEN VORBEHALTEN / SUBJECT TO ALTERATION



Ersatzteilliste  
Spare Parts List

02 / 97

GRUNDIG

TVR

TVR 3720

SACH-NR. / PART NO.: 77250-075.75  
BESTELL-NR. / ORDER NO.: G.CF 7875

POS. NR. POS. NO.	ABB. FIG.	SACHNUMMER PART NUMBER	ANZ. QTY.	BEZEICHNUNG (D)	DESCRIPTION (GB)
0001.000	3	75988-017.00		GEHAEUSEVORDERTEIL KPL.	CABINET FRONT ASSY
0001.500	3	75988-017.01		CASSETTENFACHKLAPPE	LIFT FLAP
0001.600	3	75988-000.08		SCHENKELFEDER	LEG SPRING
0001.700	3	75988-015.01		SCHRIFTZUG GRUNDIG	GRUNDIG-LABEL
0002.000	3	75988-015.03	4	SCHRAUBE F. BILDROEHRE	SCREW FOR PICTURE TUBE
0005.000	3	75988-015.06	5	KABELKLEMME	CABLE CLAMP
0005.100	3	75988-015.14		ANTENNE	ANTENNA
0005.700	3	75988-017.45		HALTER, FERNBEDIENUNG	HOLDER, REMOTE CONTROL
0008.000	3	75988-017.02		LAUTSPRECHERGITTER RE KPL.	SPEAKER GRILLE RIGHT CPL.
0009.000	3	75988-017.03		LAUTSPRECHERGITTER LI KPL.	SPEAKER GRILLE LEFT CPL.
0018.000	3	75988-017.04		RUECKWAND KPL.	REAR PANEL CPL.
0021.000	3	75988-022.53		ABDECKUNG KPL. SCART	COVER CPL
0022.000	3	75988-017.40		KNOPF EIN/AUS	KNOPF ON/OFF
0023.000	3	75988-017.42		DRUCKFEDER	PRESSURE SPRING
0024.000	△	75988-017.86		NETZKABEL 14" PAL+59	POWER CABLE 14" PAL+59
0028.000	3	75988-015.11		LAUFWERKHALTER, VORNE	TAPE DRIVE BRACKET, FRONT
0029.000	3	75988-015.12		LAUFWERKHALTER, HINTEN	TAPE DRIVE BRACKET, REAR
0033.000	3	27599-005.08		KOPFRAD 2/0 PAL	HEAD DISC 2/0 PAL
0034.000	3	75988-001.33		SCANNERMOTOR 2/0	SCANNERMOTOR 2/0
0035.000	3	75988-018.18	2	SCHRAUBE, AUDIO SUPPORT	SCREW, AUDIO SUPPORT
0037.000	3	75988-025.33		AV-ABDECKUNG	AV COVER
0038.000	3	75988-017.87		AV-EINGANG	AV INSERT
0040.000	△	27599-004.07		KOPFVERSTAERKER OHA 2/0	HEAD AMPLIFIER OHA 2/0
	△	75988-025.00	X	ECO-LW WDB 2/0 KEIN E-TEIL	ECO TAPE DRIVER WDB 2/0 NO SPARE PART
	△	27599-103.25	X	LEISTUNGSSCHASSIS GSPD14B (LEISTUNGS-CHASSIS, BILDROHRPLATTE, NETZSCHALTERPLATTE, BUCHSENPLATTE) KEIN E-TEIL	POWER CHASSIS GSPD14B (POWER CHSSIS, PICTURE TUBE BOARD, POWER SUPPLY BOARD, SOCKET BOARD) NO SPARE PART
	△	27599-101.55	X	SIGNALCHASSIS KSPDG2/GVXT KEIN E-TEIL	SIGNAL CHASSIS KSPDG2/GVXT NO SPARE PART
0153.000		75988-019.97		FERNBEDIENGEBER TVP 763	REMOTE CONTROL TVP 763
1010.000	3	75988-017.97		LAUTSPRECHER 8 OHM 3 W	SPEAKER 8OHM 3W
1100.000	△ 3	75988-017.07		BILDROEHRE A34 JLL 90X74W	PICTURE TUBE A34JLL90X74W
1101.000		75988-018.05	2	HALTER 142MM	HOLDER 142 MM
5000.000	△	75988-026.37		SPULE ENTMAGNETISIERUNG	COIL DEGAUSSING
8001.000		75988-017.09		FLEXIBLE LEITUNG, L3-1901 (7P)	FLEXIBLE CABLE, L3-1901 (7P)
8002.000		75988-017.10		FLEXIBLE LEITUNG, L8-1900 (2P)	FLEXIBLE CABLE, L8-1900 (2P)
8003.000		75988-012.13		FLEXIBLE LEITUNG, L1-F4 (6P)	FLEXIBLE CABLE, L1-F4 (6P)
8004.000		75988-017.47		FLEXIBLE LEITUNG, L4-1903 (3P)	FLEXIBLE CABLE, L4-1903 (3P)
8005.000		75988-017.11		FLEXIBLE LEITUNG, L2-1905 (15P)	FLEXIBLE CABLE, L2-1905 (15P)
8006.000		75988-017.12		FLEXIBLE LEITUNG, 1941-1902 (10P)	FLEXIBLE CABLE, 1941-1902 (10P)
8007.000		75988-017.13		FLEXIBLE LEITUNG, LSP-1914 (2P)	FLEXIBLE CABLE, LSP-1914 (2P)
8008.000		75988-017.14		FLEXIBLE LEITUNG, 1913-1967 (5P)	FLEXIBLE CABLE, 1913-1967 (5P)
8011.000		75988-017.15		FLEXIBLE LEITUNG, 1912-1923 (7P)	FLEXIBLE CABLE, 1912-1923 (7P)
8012.000		75981-019.68		FLEXIBLE LEITUNG, 1911-1922 UNGESCHIRMT	FLEXIBLE CABLE, 1911-1922 UNSHIELDED
8013.000		75988-017.18		FLEXIBLE LEITUNG, 1909-1921(13P)	FLEXIBLE CABLE, 1909-1921 (13P)
8014.000		75988-324.35		FLEXIBLE LEITUNG, HA-SC	FLEXIBLE CABLE, HA-SC
8017.000		75988-017.19		FLEXIBLE LEITUNG, 1971-1935 (3P)	FLEXIBLE CABLE, 1971-1935 (3P)
8018.000		75988-017.20		FLEXIBLE LEITUNG, 1918-1937 (4P)	FLEXIBLE CABLE, 1918-1937 (4P)
		72010-530.05		BEDIENUNGSANLEITUNG D/F/E/P	INSTRUCTION MANUAL D/F/E/P
		72010-524.95		SERVICE MANUAL D/GB	SERVICE MANUAL D/GB
		72010-524.98		SERVICE MANUAL ERG. D/GB	SERVICE MANUAL SUPPL. D/GB
				X = SIEHE GESONDERTE E-LISTE	X = SEE SEPARATE PARTS LIST

Btx \*32700#

ÄNDERUNGEN VORBEHALTEN  
SUBJECT TO ALTERATIONErsatzteilliste  
Spare Parts List

02 / 97

GRUNDIG

TVR

TVR 3720 GB

SACH-NR. / PART NO.: 77250-078.75  
BESTELL-NR. / ORDER NO.: G.CF 7975 GB

POS. NR. POS. NO.	ABB. FIG.	SACHNUMMER PART NUMBER	ANZ. QTY.	BEZEICHNUNG (D)	DESCRIPTION (GB)
0001.000	3	75988-018.29		GEHAEUSEVORDERTEIL KPL.	CABINET FRONT ASSY
0001.500	3	75988-018.30		CASSETTENFACHKLAPPE	LIFT FLAP
0001.600	3	75988-000.08		SCHENKELFEDER	LEG SPRING
0001.700	3	75988-015.01		SCHRIFTZUG GRUNDIG	GRUNDIG-LABEL
0002.000	3	75988-015.03	4	SCHRAUBE F. BILDROEHRE	SCREW FOR PICTURE TUBE
0005.000	3	75988-015.06	5	KABELKLEMME	CABLE CLAMP
0005.100	3	75988-015.14		ANTENNE	ANTENNA
0005.700	3	75988-017.45		HALTER, FERNBEDIENUNG	HOLDER, REMOTE CONTROL
0008.000	3	75988-017.02		SPEAKER GRILLE RIGHT CPL.	SPEAKER GRILLE RIGHT CPL.
0009.000	3	75988-017.03		LAUTSPRECHERGITTER LI KPL.	SPEAKER GRILLE LEFT CPL.
0018.000	3	75988-017.04		RUECKWAND KPL.	REAR PANEL CPL.
0021.000	3	75988-022.53		ABDECKUNG KPL. SCART	COVER CPL
0022.000	3	75988-017.40		KNOPF EIN/AUS	KNOPF ON/OFF
0023.000	3	75988-017.42		DRUCKFEDER	PRESSURE SPRING
0024.000	△	75988-019.02		NETZKABEL 14" GB/05	POWER CABLE 14" GB/05
0028.000	3	75988-015.11		LAUFWERKHALTER, VORNE	TAPE DRIVE BRACKET, FRONT
0029.000	3	75988-015.12		LAUFWERKHALTER, HINTEN	TAPE DRIVE BRACKET, REAR
0033.000	1	27599-005.07		KOPFRAD 2/0 LP PAL	HEAD DISC 2/0 LP
0034.000	1	75988-001.33		SCANNERMOTOR 2/0	SCANNERMOTOR 2/0
0035.000	3	75988-018.18	2	SCHRAUBE, AUDIO SUPPORT	SCREW, AUDIO SUPPORT
0037.000	3	75988-025.33		AV-ABDECKUNG	AV COVER
0038.000	3	75988-017.87		AV-EINGANG	AV INSERT
0040.000	△	27599-004.08		KOPFVERSTAERKER OHA 2/0LP	HEAD AMPLIFIER OHA 2/0LP
	△	75988-025.00	X	ECO-LW WDB 2/0 KEIN E-TEIL	ECO TAPE DRIVE WDB 2/0 NO SPARE PART
	△	27599-103.25	X	LEISTUNGSSCHASSIS GSPD14B (LEISTUNGS-CHASSIS, BILDROHRPLATTE, NETZSCHALTERPLATTE, BUCHSENPLATTE) KEIN E-TEIL	POWER CHASSIS GSPD14B (POWER CHSSIS, PICTURE TUBE BOARD, POWER SUPPLY BOARD, SOCKET BOARD) NO SPARE PART
	△	27599-101.56	X	SIGNALCHASSIS KSPDG1/ILPPVXTF KEIN E-TEIL	SIGNAL CHASSIS KSPDG1/ILPPVXTF NO SPARE PART
0153.000		75988-019.97		FERNBEDIENGEBER TVP 763	REMOTE CONTROL TVP 763
1010.000	3	75988-017.97		LAUTSPRECHER 8 OHM 3 W	SPEAKER 8OHM 3W
1100.000	△ 3	75988-017.07		BILDROEHRE A34 JLL 90X74W	PICTURE TUBE A34JLL90X74W
1101.000		75988-018.05	2	HALTER 142MM	HOLDER 142 MM
5000.000	△	75988-026.37		SPULE ENTMAGNETISIERUNG	COIL DEGAUSSING
8001.000		75988-017.09		FLEXIBLE LEITUNG, L3-1901 (7P)	FLEXIBLE CABLE, L3-1901 (7P)
8002.000		75988-017.10		FLEXIBLE LEITUNG, L8-1900 (2P)	FLEXIBLE CABLE, L8-1900 (2P)
8003.000		75988-012.13		FLEXIBLE LEITUNG, L1-F4 (6P)	FLEXIBLE CABLE, L1-F4 (6P)
8004.000		75988-017.47		FLEXIBLE LEITUNG, L4-1903 (3P)	FLEXIBLE CABLE, L4-1903 (3P)
8005.000		75988-017.11		FLEXIBLE LEITUNG, L2-1905 (15P)	FLEXIBLE CABLE, L2-1905 (15P)
8006.000		75988-017.12		FLEXIBLE LEITUNG, 1941-1902 (10P)	FLEXIBLE CABLE, 1941-1902 (10P)
8007.000		75988-017.13		FLEXIBLE LEITUNG, LSP-1914(2P)	FLEXIBLE CABLE, LSP-1914 (2P)
8008.000		75988-017.14		FLEXIBLE LEITUNG, 1913-1967(5P)	FLEXIBLE CABLE, 1913-1967 (5P)
8011.000		75988-017.15		FLEXIBLE LEITUNG, 1912-1923 (7P)	FLEXIBLE CABLE, 1912-1923 (7P)
8012.000		75981-019.68		FLEXIBLE LEITUNG, 1911-1922 UNGESCHIRMT	FLEXIBLE CABLE, 1911-1922 UNSHIELDED
8013.000		75988-017.18		FLEXIBLE LEITUNG, 1909-1921(13P)	FLEXIBLE CABLE, 1909-1921 (13P)
8014.000		75988-324.35		FLEXIBLE LEITUNG, HA-SC	FLEXIBLE CABLE, HA-SC
8017.000		75988-017.19		FLEXIBLE LEITUNG, 1971-1935 (3P)	FLEXIBLE CABLE, 1971-1935 (3P)
8018.000		75988-017.20		FLEXIBLE LEITUNG, 1918-1937 (4P)	FLEXIBLE CABLE, 1918-1937 (4P)
		72010-530.10		BEDIENUNGSANLEITUNG GB	INSTRUCTION MANUAL GB
		72010-524.95		SERVICE MANUAL D/GB	SERVICE MANUAL D/GB
		72010-524.98		SERVICE MANUAL ERG. D/GB	SERVICE MANUAL SUPPL. D/GB
				X = SIEHE GESONDERTE E-LISTE	X = SEE SEPARATE PARTS LIST

Btx \*32700#

ÄNDERUNGEN VORBEHALTEN  
SUBJECT TO ALTERATION

Ersatzteilliste  
Spare Parts List

TVR

02 / 97

TVR 5100

ERSETZT AUSGABE 4/96  
SUBSTITUTE EDITION 4/96SACH-NR. / PART NO.: 77250-030.75 BESTELL-NR. / ORDER NO.:G.CC 3075  
SACH-NR. / PART NO.: 77250-031.75 BESTELL-NR. / ORDER NO.:G.CC 3175 \*\*  
SACH-NR. / PART NO.: 77250-032.75 BESTELL-NR. / ORDER NO.:G.CC 3275 \*\*\*

POS. NR. POS. NO.	ABB. FIG.	SACHNUMMER PART NUMBER	ANZ. QTY.	BEZEICHNUNG (D)	DESCRIPTION (GB)
0001.000	3	75988-019.05		GEHAEUSEVORDERTEIL	CABINET FRONT
0001.500	3	75988-019.06		CASSETTENFACHKLAPPE	LIFT FLAP
0001.600	3	75988-000.08		SCHENKELFEDER	LEG SPRING
0001.700	3	75988-026.02		SCHRIFTZUG	LABEL
0001.900	3	75988-026.03		ABDECKUNG VORNE	COVER, FRONT
0002.000	3	75988-026.04	4	SCHRAUBE, BILDROEHRE	SCREW FOR PICTURE TUBE
0005.000	3	75988-015.06	4	KABELKLEMME	CABLE CLAMP
0018.000	3	75988-026.05		RUECKWAND KPL.	REAR PANEL ASSY
0021.000	3	75988-022.53		ABDECKUNG KPL. SCART	COVER CPL. SCART
0022.000	3	75988-026.06		KNOPF AUS/EIN	KNOB ON/OFF
0023.000	3	75988-017.42		DRUCKFEDER	PRESSURESPRING
0024.000	Δ	75988-026.12		NETZKABEL 20"/21" PAL	POWER CABLE 20"/21" PAL
0028.000	3	75988-015.11	2	LAUFWERKHALTER, VORNE	TAPE DRIVE BRACKET, FRONT
0029.000	3	75988-015.12		LAUFWERKHALTER, HINTEN	TAPE DRIVE BRACKET, REAR
0031.000	3	8114-990-022	6	PLASTITE SHR 3,5X16	SCREW 3,5X16
0033.000	1	27599-005.07		KOPFRAD 2/0 PAL	HEAD DISC 2/0 PAL
0034.000	1	75988-001.33		SCANNERMOTOR 2/0	SCANNER MOTOR 2/0
0035.000	3	75988-018.18	2	SCHRAUBE, AUDIO SUPPORT	SCREW, AUDIO SUPPORT
0038.000	3	75988-019.08		AV-EINGANG	AV INPUT
0040.000	Δ	27599-004.07		KOPFVERSTAERKER OHA 2/0	HEAD AMPLIFIER OHA 2/0
	Δ	75988-025.00	X	ECO-LW WDB 2/0 KEIN E-TEIL	ECO TAPE DRIVE WDB 2/0 NO SPARE PART
	Δ	75988-018.52	X	LEISTUNGS-CHASSIS PLSP20BK (LEISTUNGS-CHASSIS, BILDROHRPLATTE, NETZSCHALTERPLATTE, BUCHSENPLATTE) KEIN E-TEIL	POWER CHASSIS PLSP20BK (POWER CHSSIS, PICTURE TUBE BOARD, POWER SUPPLY BOARD, SOCKET BOARD) NO SPARE PART
	Δ	27599-103.24	X, *	LEISTUNGS-CHASSIS GSPD20BK (LEISTUNGS-CHASSIS, BILDROHRPLATTE, NETZSCHALTERPLATTE, BUCHSENPLATTE) KEIN E-TEIL	POWER CHASSIS GSPD20BK (POWER CHSSIS, PICTURE TUBE BOARD, POWER SUPPLY BOARD, SOCKET BOARD) NO SPARE PART
	Δ	75988-018.75	X	SIGNALCHASSIS PSSPG1/GVX KEIN E-TEIL	SIGNAL CHASSIS PSSPG1/GVX NO SPAREPART
	Δ	27599-101.42	X, *	SIGNALCHASSIS KSPDG1/GVX KEIN E-TEIL	SIGNAL CHASSIS KSPDG1/GVX NO SPAREPART
	Δ	75988-018.71	X	SIGNALCHASSIS PSSPG1/GPVX ** KEIN E-TEIL	SIGNAL CHASSIS PSSPG1/GPVX ** NO SPAREPART
	Δ	27599-101.43	X, *	SIGNALCHASSIS KSPDG1/GPVX ** KEIN E-TEIL	SIGNAL CHASSIS KSPDG1/GPVX ** NO SPAREPART
	Δ	75988-018.72	X	SIGNALCHASSIS PSSPG2/GPVX *** KEIN E-TEIL	SIGNAL CHASSIS PSSPG2/GPVX *** NO SPAREPART
	Δ	27599-101.45	X, *	SIGNALCHASSIS KSPDG2/GPVX *** KEIN E-TEIL	SIGNAL CHASSIS KSPDG2/GPVX *** NO SPAREPART
0153.000		75988-017.06		FERNBEDIENGEGER TVP762	REMOTE CONTROL TVP 762
1000.000	Δ 3	75988-019.10		BILDROEHRE A48ECR31X60	PICTURE TUBE A48ECR31X60
1000.000	Δ 3	75988-019.27	*	BILDROEHRE JVR90X26(W)	PICTURE TUBE JVR90X26(W)

Btx \*32700#

ÄNDERUNGEN VORBEHALTEN  
SUBJECT TO ALTERATION

POS. NR. POS. NO.	ABB. FIG.	SACHNUMMER PART NUMBER	ANZ. QTY.	BEZEICHNUNG (D)	DESCRIPTION (GB)
1010.000	3	75988-017.97		LAUTSPRECHER 8 OHM 3 W	SPEAKER 8OHM 3W
5000.000	Δ	75988-026.11		ENTMAGNETISIERUNGSPULE 435	DEGAUSSING COIL 435
5000.000	Δ	75988-019.67	*	ENTMAGNETISIERUNGSPULE 20/21"	DEGAUSSING COIL 20/21"
1101.000		75988-018.05	2, *	HALTER (142MM)	HOLDER (142MM)
8001.000		75988-017.09		FLEXIBLE LEITUNG, L3-1901 (7P)	FLEXIBLE CABLE, L3-1901 (7P)
8002.000		75988-017.10		FLEXIBLE LEITUNG, L8-1900 (2P)	FLEXIBLE CABLE, L8-1900 (2P)
8003.000		75988-012.13		FLEXIBLE LEITUNG, L1-F4 (6P)	FLEXIBLE CABLE, L1-F4 (6P)
8004.000		75988-017.47		FLEXIBLE LEITUNG, L4-1903 (3P)	FLEXIBLE CABLE, L4-1903 (3P)
8005.000		75988-017.11		FLEXIBLE LEITUNG, L2-1905 (15P)	FLEXIBLE CABLE, L2-1905 (15P)
8006.000		75988-017.12		FLEXIBLE LEITUNG, 1941-1902 (10P)	FLEXIBLE CABLE, 1941-1902 (10P)
8007.000		75988-017.13		FLEXIBLE LEITUNG, LSP-1914 (2P)	FLEXIBLE CABLE, LSP-1914 (2P)
8008.000		75988-017.14		FLEXIBLE LEITUNG, 1913-1967 (5P)	FLEXIBLE CABLE, 1913-1967 (5P)
8011.000		75988-026.14		FLEXIBLE LEITUNG, 1912-1923 (7P)	FLEXIBLE CABLE, 1912-1923 (7P)
8012.000		75988-017.16		FLEXIBLE LEITUNG, 1911-1922 (5P)	FLEXIBLE CABLE, 1911-1922 (5P)
8012.000		75988-019.68	*	FLEXIBLE LEITUNG, 1911-1922 UNGESCHIRMT	FLEXIBLE CABLE, 1911-1922 UNSHIELDED
8013.000		75988-017.18		FLEXIBLE LEITUNG, 1909-1921 (13P)	FLEXIBLE CABLE, 1909-1921 (13P)
8014.000		75988-324.35		FLEXIBLE LEITUNG, HA-SC	FLEXIBLE CABLE, HA-SC
8017.000		75988-017.19		FLEXIBLE LEITUNG, 1971-1935 (3P)	FLEXIBLE CABLE, 1971-1935 (3P)
		72010-524.80		BEDIENUNGSANLEITUNG D//E/P	OPERATING INSTRUCTIONS D//E/P
		72010-524.81		BEDIENUNGSANLEITUNG NL/F **	OPERATING INSTRUCTIONS NL/F **
		72010-524.82		BEDIENUNGSANLEITUNG S/N/DK/SF ***	OPERATING INSTRUCTIONS S/N/DK/SF ***
		72010-524.95		SERVICE MANUAL D/GB	SERVICE MANUAL D/GB
		72010-524.98	*	SERVICE MANUAL ERG. D/GB	SERVICE MANUAL SUPP. D/GB

X = SIEHE GESONDERTE E-LISTE  
\* = AB ENTWICKLUNGSCODE "AB"X = SEE SEPARATE PARTS LIST  
\* = FROM DEVELOPMENT CODE "AB"Es gelten die Vorschriften und Sicherheitshinweise  
gemäß dem Service Manual "Sicherheit", Sach-Num-  
mer 72010-800.00, sowie zusätzlich die eventuell ab-  
weichenden, landesspezifischen Vorschriften!The regulations and safety instructions shall be valid  
as provided by the "Safety" Service Manual, part  
number 72010-800.00, as well as the respective  
national deviations.

Btx \*32700#

ÄNDERUNGEN VORBEHALTEN / SUBJECT TO ALTERATION



Ersatzteilliste  
Spare Parts List

## 02 / 97

ERSETZT AUSGABE 11/96  
SUBSTITUTE EDITION 11/96

POS. NR. POS. NO.	ABB. FIG.	SACHNUMMER PART NUMBER	ANZ. QTY.	BEZEICHNUNG (D)	DESCRIPTION (GB)
0001.000	3	75988-019.46		GEHAEUSEVORDERTEIL	CABINET FRONT
0001.500	3	75988-019.47		CASSETTENFACHKLAPPE	LIFT FLAP
0001.600	3	75988-000.08		SCHENKELFEDER	LEG SPRING
0001.700	3	75988-026.02		GRUNDIG-EMBLEM	GRUNDIG LABEL
0001.900	3	75988-026.03		ABDECKUNG VORNE	COVER FRONT
0002.000	3	75988-026.04	4	SCHRAUBE, BILDROEHRE	SCREW PICTURE TUBE
0005.000	3	75988-015.06	4	KABELKLEMME	CABLE CLAMP
0018.000	3	75988-026.05		RUECKWAND KPL.	REAR PANEL ASSY
0021.000	3	75988-022.53		ABDECKUNG KPL. SCART	COVER COMPL. SCART
0022.000	3	75988-026.06		KNOPF AUS/EIN	KNOB ON /OFF
0023.000	3	75988-017.42		DRUCKFEDER	SPRING
0024.000	△	75988-019.48		NETZKABEL 20"/21" GB/05	POWER CABLE 20"/21" GB/05
0028.000	3	75988-015.11		LAUFWERKHALTER, VORNE	TAPE DRIVE BRACKET, FRONT
0029.000	3	75988-015.12		LAUFWERKHALTER, HINTEN	TAPE DRIVE BRACKET, REAR
0031.000	3	8114-990-022	6	PLASTITE SHR 3,5X16	SCREW SHR 3.5X16
0033.000	1	27599-005.07		KOPFRAD 2/0 LP PAL	HEAD WHEEL 2/0 LP PAL
0034.000	1	75988-001.33		SCANNERMOTOR 2/0	SCANNERMOTOR 2/0
0035.000	3	75988-018.18	2	SCHRAUBE AUDIO SUPPORT	SCREW AUDIO SUPPORT
0038.000	3	75988-025.07		AV-EINGANG	AV INPUT
0040.000	△	27599-004.08		KOPFVERSTAERKER OHA 2/0LP	HEAD AMPLIFIER OHA 2/0LP
	△	75988-025.00	X	ECO-LW WDB 2/0 LP KEIN E-TEIL	ECO TAPE DRIVE WDB 2/0 LP NO SPARE PART
	△	75988-018.52	X	LEISTUNGS-CHASSIS PLSP20BK (LEISTUNGS-CHASSIS, BILDROHRPLATTE, NETZSCHALTERPLATTE, BUCHSENPLATTE) KEIN E-TEIL	POWER CHASSIS PLSP20BK (POWER CHASSIS, PICTURE TUBE BOARD, POWER SUPPLY BOARD, SOCKET BOARD) NO SPARE PART
	△	75599-103.24	X, *	LEISTUNGS-CHASSIS GSPD20BK (LEISTUNGS-CHASSIS, BILDROHRPLATTE, NETZSCHALTERPLATTE, BUCHSENPLATTE) KEIN E-TEIL	POWER CHASSIS GSPD20BK (POWER CHASSIS, PICTURE TUBE BOARD, POWER SUPPLY BOARD, SOCKET BOARD) NO SPARE PART
	△	27599-101.22	X	SIGNALCHASSIS PSSPG1 KEIN E-TEIL	SIGNAL CHASSIS PSSPG1 NO SPARE PART
	△	27599-101.41	X, *	SIGNALCHASSIS KSPDG1/ILPPVXT KEIN E-TEIL	SIGNAL CHASSIS KSPDG1/ILPPVXT NO SPARE PART
0153.000		75988-017.06		FERNBEDIENGEBER TVP762	REMOTE CONTROL TVP 762
1000.000	△ 3	75988-019.30		BILDR. A48 JRV90X01 ORION	PICT.TUBE A 48 JRV 90X01 ORION
1000.000	△ 3	75988-019.27	*	BILDR. A48 JRV90X26 (W)	PICT.TUBE A 48 JRV 90X26 (W)
1010.000	3	75988-017.97		LAUTSPRECHER 8 OHM 3 W	SPEAKER 8OHM 3W
1101.000	△	75988-018.05		HALTER 142MM	HOLDER 142 MM
5000.000	△	75988-019.11		ENTMAGNETISIERUNGSSP. 435	DEGAUSSING COIL 435
5000.000	△	75988-026.38	*	ENTMAGNETISIERUNGSSP. 20/21"	DEGAUSSING COIL 20-21"
8001.000		75988-017.09		FLEXIBLE LEITUNG, L3-1901 (7P)	FLEXIBLE CABLE, L3-1901 (7P.)
8002.000		75988-017.10		FLEXIBLE LEITUNG, L8-1900 (2P)	FLEXIBLE CABLE, L8-1900 (2P.)
8003.000		75988-012.13		FLEXIBLE LEITUNG, L1-F4 (6P)	FLEXIBLE CABLE, L1-F4 (6P.)
8004.000		75988-017.47		FLEXIBLE LEITUNG, L4-1903 (3P)	FLEXIBLE CABLE, L4-1903 (3P.)
8005.000		75988-017.11		FLEXIBLE LEITUNG, L2-1905 (15P)	FLEXIBLE CABLE, L2-1905 (15P.)
8006.000		75988-017.12		FLEXIBLE LEITUNG, 1941-1902 (10P)	FLEXIBLE CABLE, 1941-1902 (10P.)
8007.000		75988-017.13		FLEXIBLE LEITUNG, LSP-1914 (2P)	FLEXIBLE CABLE, LSP-1914 (2P.)

Btx \*32700#

ÄNDERUNGEN VORBEHALTEN  
SUBJECT TO ALTERATION

GRUNDIG

TVR

## TVR 5100 GB

SACH-NR. / PART NO.: 77250-033.75  
BESTELL-NR. / ORDER NO.: G.CE 9775 GB

POS. NR. POS. NO.	ABB. FIG.	SACHNUMMER PART NUMBER	ANZ. QTY.	BEZEICHNUNG (D)	DESCRIPTION (GB)
8008.000		75988-017.14		FLEXIBLE LEITUNG, 1913-1967 (5P)	FLEXIBLE CABLE, 1913-1967 (5P.)
8011.000		75988-026.14		FLEXIBLE LEITUNG, 1912-1923 (7P)	FLEXIBLE CABLE, 1912-1923 (7P.)
8012.000		75988-017.16		FLEXIBLE LEITUNG, 1911-1922 (5P)	FLEXIBLE CABLE, 1911-1922 (5P.)
8012.000		75981-019.68	*	FLEXIBLE LEITUNG, 1911-1922 UNGESCHIRMT	FLEXIBLE CABLE, 1911-1922 UNSHIELDED
8013.000		75988-017.18		FLEXIBLE LEITUNG, 1909-1921 (13P)	FLEXIBLE CABLE, 1909-1921 (13P.)
8014.000		75988-324.35		FLEXIBLE LEITUNG, HA-SC	FLEXIBLE CABLE, HA-SC
8017.000		75988-017.19		FLEXIBLE LEITUNG, 1971-1935 (3P)	FLEXIBLE CABLE, 1971-1935 (3P.)
		72010-528.80		BEDIENUNGSANLEITUNG GB	INSTRUCTION MANUAL GB
		72010-524.95		SERVICE MANUAL D/GB	SERVICE MANUAL D/GB
		72010-524.97		SERVICE MANUAL ERG. D/GB	SERVICE MANUAL SUPPL. D/GB
		72010-524.98	*	SERVICE MANUAL ERG. D/GB	SERVICE MANUAL SUPPL. D/GB

X = SIEHE GESONDERTE E-LISTE  
\* = AB ENTWICKLUNGSCODE "AB"X = SEE SEPARATE PARTS LIST  
\* = FROM DEVELOPMENT CODE "AB"

Es gelten die Vorschriften und Sicherheitshinweise gemäß dem Service Manual "Sicherheit", Sach-Nummer 72010-800.00, sowie zusätzlich die eventuell abweichenden, landesspezifischen Vorschriften!



The regulations and safety instructions shall be valid as provided by the "Safety" Service Manual, part number 72010-800.00, as well as the respective national deviations.

Btx \*32700#

ÄNDERUNGEN VORBEHALTEN / SUBJECT TO ALTERATION

Ersatzteilliste  
Spare Parts List

TVR

02 / 97

TVR 5500

ERSETZT AUSGABE 4/96  
SUBSTITUTE EDITION 4/96SACH-NR. / PART NO.: 77250-040.75  
BESTELL-NR. / ORDER NO.: G.CC 3475

POS. NR. POS. NO.	ABB. FIG.	SACHNUMMER PART NUMBER	ANZ. QTY.	BEZEICHNUNG (D)	DESCRIPTION (GB)
0001.000	3	75988-019.07		GEHAEUSEVORDERTEIL KPL.	CABINET FRONT ASSY
0001.500	3	75988-019.06		CASSETTENFACHKLAPPE	LIFT FLAP ASSY
0001.600	3	75988-000.08		SCHENKELFEDER	LEG SPRING
0001.700	3	75988-026.02		SCHRIFTZUG	LABEL
0001.900	3	75988-026.03		ABDECKUNG VORNE	COVER - FRONT
0002.000	3	75988-026.04	4	SCHRAUBE, BILDROEHRE	SCREW PICTURE TUBE
0005.000	3	75988-015.06	4	KABELKLEMME	CABLE CLAMP
0018.000	3	75988-026.05		RUECKWAND KPL.	REAR PANEL CPL.
0021.000	3	75988-022.53		ABDECKUNG KPL. SCART	COVER COMPL. SCART
0022.000	3	75988-026.06		KNOPF AUS/EIN	KNOB ON /OFF
0023.000	3	75988-017.42		DRUCKFEDER	PRESSURESPRING
0024.000	△	75988-026.12		NETZKABEL 20"/21" PAL	POWER CABLE 20"/21" PAL
0028.000	3	75988-015.11	2	LAUFWERKHALTER, VORNE	TAPE DRIVE BRACKET, REAR
0029.000	3	75988-015.12		LAUFWERKHALTER, HINTEN	TAPE DRIVE BRACKET, FRONT
0031.000	3	8114-990-022	6	PLASTITE SHR 3,5X16	SCREW 3,5X16
0033.000	1	27599-005.08		KOPFRAD 2/0 PAL	HEAD DISC 2/0 PAL
0034.000	1	75988-001.33		SCANNERMOTOR 2/0	SCANNER MOTOR 2/0
0035.000	3	75988-018.18	2	SCHRAUBE, AUDIO SUPPORT	SCREW, AUDIO SUPPORT
0037.000	3	75988-026.08		AV-ABDECKUNG	AV COVER
0038.000	3	75988-025.07		AV-EINGANG	AV INPUT
0040.000	△	27599-004.07		KOPFVERSTAERKER OHA 2/0	HEAD AMPLIFIER OHA 2/0
	△	75988-025.01	X	HSD-LW WDBT 2/0 KEIN E-TEIL	HSD TAPE DRIVE WDBT 2/0 NO SPARE PART
	△	75988-018.51	X	LEISTUNGS-CHASSIS PLSP21B (LEISTUNGS-CHASSIS, BILDROHRPLATTE, NETZSCHALTERPLATTE, BUCHSENPLATTE) KEIN E-TEIL	POWER CHASSIS PLSP21B (POWER CHSSIS, PICTURE TUBE BOARD, POWER SUPPLY BOARD, SOCKET BOARD) NO SPARE PART
	△	27599-103.27	X, *	LEISTUNGS-CHASSIS GSPD21B (LEISTUNGS-CHASSIS, BILDROHRPLATTE, NETZSCHALTERPLATTE, BUCHSENPLATTE) KEIN E-TEIL	POWER CHASSIS GSPD21B (POWER CHSSIS, PICTURE TUBE BOARD, POWER SUPPLY BOARD, SOCKET BOARD) NO SPARE PART
	△	75988-018.76	X	SIGNALCHASSIS PSSPG1/GVXTF KEIN E-TEIL	SIGNAL CHASSIS PSSPG1/GVXTF NO SPARE PART
	△	27599-101.40	X, *	SIGNALCHASSIS KSPDG1/GVXTF KEIN E-TEIL	SIGNAL CHASSIS KSPDG1/GVXTF NO SPARE PART
0153.000		75988-017.06		FERNBEDIENGEGER TVP762	REMOTE CONTROL TVP 762
1010.000	3	75988-025.09	2	LAUTSPRECHER RND 102 16R	LOUDSPEAKER RND 102 16R
1100.000	△ 3	75988-026.10		BILDROEHRE A51EAL165X00	PICTURE TUBE A51EAL165X00
1100.000	△ 3	75988-026.19	*	BILDROEHRE A51EAL165X07	PICTURE TUBE A51EAL165X07
5000.000	△	75988-019.11	*	ENTMAGNETISIERUNGSSPULE 435	DEGAUSSING COIL 435
5000.000	△	75988-026.38	*	ENTMAGNETISIERUNGSSPULE 20/20"	DEGAUSSING COIL 20/20"
8001.000		75988-017.09		FLEXIBLE LEITUNG, L3-1901 (7P)	FLEXIBLE CABLE, L3-1901 (7P)
8002.000		75988-026.07		FLEXIBLE LEITUNG, L8-1900 (2P)	FLEXIBLE CABLE, L8-1900 (2P)
8003.000		75988-012.13		FLEXIBLE LEITUNG, L1-F4 (6P)	FLEXIBLE CABLE, L1-F4 (6P)
8004.000		75988-017.47		FLEXIBLE LEITUNG, L4-1903 (3P)	FLEXIBLE CABLE, L4-1903 (3P)
8005.000		75988-017.11		FLEXIBLE LEITUNG, L2-1905 (15P)	FLEXIBLE CABLE, L2-1905 (15P)
8006.000		75988-017.12		FLEXIBLE LEITUNG, 1941-1902 (10P)	FLEXIBLE CABLE, 1941-1902 (10P)
8007.000		75988-017.13		FLEXIBLE LEITUNG, LSP-1914 (2P)	FLEXIBLE CABLE, LSP-1914 (2P)

Btx \*32700#

ÄNDERUNGEN VORBEHALTEN  
SUBJECT TO ALTERATION

POS. NR. POS. NO.	ABB. FIG.	SACHNUMMER PART NUMBER	ANZ. QTY.	BEZEICHNUNG (D)	DESCRIPTION (GB)
8008.000		75988-017.14		FLEXIBLE LEITUNG, 1913-1967 (5P)	FLEXIBLE CABLE, 1913-1967 (5P)
8011.000		75988-026.14		FLEXIBLE LEITUNG, 1912-1923 (7P)	FLEXIBLE CABLE, 1912-1923 (7P)
8012.000		75988-017.16		FLEXIBLE LEITUNG, 1911-1922 (5P)	FLEXIBLE CABLE, 1911-1922 (5P)
8012.000		75988-019.68	*	FLEXIBLE LEITUNG, 1911-1922 UNGESCHIRMT	FLEXIBLE CABLE, 1911-1922 UNSCHIELED
8013.000		75988-017.18		FLEXIBLE LEITUNG, 1909-1921 (13P)	FLEXIBLE CABLE, 1909-1921 (13P)
8014.000		75988-324.35		FLEXIBLE LEITUNG, HA-SC	FLEXIBLE CABLE, HA-SC
8015.000		75988-026.15		FLEXIBLE LEITUNG, LSP-1970 (2P)	FLEXIBLE CABLE, LSP-1970 (2P)
8017.000		75988-017.19		FLEXIBLE LEITUNG, 1971-1935 (3P)	FLEXIBLE CABLE, 1971-1935 (3P)
8018.000		75988-017.20		FLEXIBLE LEITUNG, 1918-1937 (4P)	FLEXIBLE CABLE, 1918-1937 (4P)
		72010-524.85		BEDIENUNGSANLTG.D//E/P	INSTRUCTION MANUAL
		72010-524.95		SERVICE MANUAL D/GB	SERVICE MANUAL D/GB
		72010-524.98	*	SERVICE MANUAL ERG. D/GB	SERVICE MANUAL SUPPL. D/GB

X = SIEHE GESONDERT E-LISTE  
\* = AB ENTWICKLUNGSCODE "AB"X = SEE SEPARATE PARTS LIST  
\* = FROM DEVELOPMENT CODE "AB"Es gelten die Vorschriften und Sicherheitshinweise  
gemäß dem Service Manual "Sicherheit", Sach-Num-  
mer 72010-800.00, sowie zusätzlich die eventuell ab-  
weichenden, landesspezifischen Vorschriften!The regulations and safety instructions shall be valid  
as provided by the "Safety" Service Manual, part  
number 72010-800.00, as well as the respective  
national deviations.

Btx \*32700#

ÄNDERUNGEN VORBEHALTEN / SUBJECT TO ALTERATION

GRUNDIG

Ersatzteilliste  
Spare Parts List

TVR

02 / 97

ALLE NICHT AUFGEFÜHRTE E-TEILE  
SIEHE E-LISTE LEISTUNGS-CHASSIS 27599-103.25ALL PARTS NOT LISTED REFER TO  
PARTS-LIST POWER CHASSIS 27599-103.25LEISTUNGS-CHASSIS GSPD20BK  
POWER CHASSIS GSPD20BK

SACH-NR. / PART NO.: 27599-103.24

POS. NR. POS. NO.	ABB. FIG.	SACHNUMMER PART NUMBER	ANZ. QTY.	BEZEICHNUNG (D)	DESCRIPTION (GB)
1002.000	△	75988-026.29		STECKVERBINDER 2 POL VERT	CONNECTOR 2 PLS VERT
1013.000	△	75988-025.17		LEITUNG KPL.PCPS2-NETZSCH	CABLE CPL PCPS2 POWER SWI
1962.000	△	75988-025.16		LEITUNG KPL.AQUADAC-21*	CABLE CPL AQUADAC-21*
1966.000	△	75988-025.13		CRT SOCKEL	CRT SOCKEL

POS. NR. POS. NO.	SACHNUMMER PART NUMBER	BEZEICHNUNG DESCRIPTION
C 2328	△ 75988-010.45	SI-KERKO C 470PF 10% 400V
C 2573	△ 75988-026.42	KONDENSATOR PP 430NF 250V/ CAPACITOR
C 2586	△ 8660-196-034	SI-KERKO.A-SG 1000PF 20%
D 6552	8309-720-115	Z DIODE 15 B 0,5W
D 6582	8309-516-852	DIODE BYT 52 M
D 6584	8309-707-012	Z-DIODE ZPD4,7 ITT
F 5312	△ 75988-019.67	FILTER 29000UUF 2327
F 5362	75988-017.23	EMIFIL 100MHZ
L 5510	△ 75988-026.30	SPULE LINEAR LC 110
L 5550	△ 75988-026.30	SPULE LINEAR LC 110/ LINEARITY COIL
L 5901	75988-021.19	SPULE 10U PM5 SPT0508/COIL
R 3302	△ 75988-019.20	WIDERSTAND VR37 4,7 MOHM/ RESISTOR
R 3527	△ 75988-026.33	MSW NB 0207 1 KOHM 5%
R 3532	△ 75988-019.68	MSW U. NB 0207 1,2W 5%
R 3537	△ 75988-019.68	MSW U. NB 0207 1,2W 5%
R 3592	△ 75988-026.35	MSW NB 0207 8,2 OHM 5%
S 1003	△ 75988-015.19	NETZSCHALTER/ POWER SWITCH
T 7583	75988-021.22	TRANS. BU 1508DX
TR 5330	△ 75988-025.32	TRAFO ETD39 20/21
TR 5550	△ 75988-025.20	TRAFO LOT 20/ TRANSFORMER
TR 5581	75988-025.19	TREIBER TRAFO/ DRIVER TRANSFORMER

Es gelten die Vorschriften und Sicherheitshinweise gemäß dem Service Manual "Sicherheit", Sach-Nummer 72010-800.00, sowie zusätzlich die eventuell abweichenden, landesspezifischen Vorschriften!



The regulations and safety instructions shall be valid as provided by the "Safety" Service Manual, part number 72010-800.00, as well as the respective national deviations.

Btx \*32700#

ÄNDERUNGEN VORBEHALTEN / SUBJECT TO ALTERATION

GRUNDIG

Ersatzteilliste  
Spare Parts List

TVR

02 / 97

LEISTUNGS-CHASSIS GSPD14B  
POWER CHASSIS GSPD14B  
LEISTUNGS-CHASSIS GSPD14  
POWER CHASSIS GSPD14SACH-NR. / PART NO.: 27599-103.25  
SACH-NR. / PART NO.: 27599-103.26

POS. NR. POS. NO.	ABB. FIG.	SACHNUMMER PART NUMBER	ANZ. QTY.	BEZEICHNUNG (D)	DESCRIPTION (GB)
0067.000		75988-017.49		FLEX.LEITUNG1926-1969(4P)	FLEX. CABLE 1926-1969 (4P)
1001.000	△	75988-026.29		STECKVERBINDER 2 POL VERT	CONNECTOR 2P VERT
1300.000		75988-019.65		FUNKENSTRECKE 301N-A21F	SPARK GAP 301N-A21F
1921.000		75988-019.80		SOCKEL 13-FACH	BASE 13-FOLD
1922.000		75988-022.57		SOCKEL 5-FACH	BASE 5-FOLD
1923.000		75988-019.81		SOCKEL 7-FACH	BASE 7-FOLD
1924.000		75988-015.28		STECKVERBINDUNG 2-POL	CONNECTOR 2P
1925.000	△	75988-015.29		STECKVERBINDUNG 6-POL	CONNECTOR 6P
1926.000		75988-019.84		STECKVERBINDER 4 POL VERT.	CONNECTOR 4P VERT
1931.000		75988-021.36		STECKVERBINDUNG 5 POL HSJ	CONNECTOR 5P HSJ1406
1933.000		75988-019.83		DOPPEL-CINCHBUCHSE 4 POL	DOUBLE CINCHSOCKET 4P
1935.000		75988-000.97		STECKERLEISTE 3POL	CONNECTOR 3P
1937.000		75988-019.82		SOCKEL 4-FACH	BASE 4-FOLD
1961.000	△	75988-021.32		SOCKEL BILDROEHRE	BASE PICTURE TUBE
1962.000	△	75988-021.33		LEITUNG KPL. AQUADAC-14*	CABLE AQUADAC-14*
1967.000		75988-015.25		STECKERVERBINDUNG 5-POL	CONNECTOR 5P
1969.000		75988-019.84		STECKVERBINDER 4P VERT.	CONNECTOR 4P VERT

POS. NR. POS. NO.	SACHNUMMER PART NUMBER	BEZEICHNUNG DESCRIPTION	POS. NR. POS. NO.	SACHNUMMER PART NUMBER	BEZEICHNUNG DESCRIPTION
C 2312	△ 75988-019.85	KONDENSATOR 1NF 250V 20%/ CAPACITOR	D 6351	75988-324.25	DIODE BYW 98-200 RL
C 2316	△ 75990-200.83	MKP 0,22UF 20% 250VAC RM2	D 6352	8309-720-115	Z DIODE 15 B 0,5W
C 2335	△ 75988-019.86	ELKO 100 UF/25V 20%	D 6361	75988-017.32	DIODE BYW 36
C 2352	△ 75988-019.87	ELKO 220UF 25V 20%	D 6371	8309-516-271	DIODE BYV 27/100 PHI/TFK
C 2363	△ 75988-019.88	ELKO 47UF 200V 20%	D 6372	8309-516-271	DIODE BYV 27/100 PHI/TFK
C 2373	△ 75988-019.87	ELKO 220UF 25V 20%	D 6374	75987-538.95	DIODE BYD 33 D
C 2374	△ 75988-019.87	ELKO 220UF 25V 20%	D 6392	75987-538.95	DIODE BYD 33 D
C 2379	△ 75988-019.98	ELKO 470U 25V PM20	D 6393	8309-721-034	Z DIODE 6,8 C 1,3W
C 2512	△ 75988-019.16	ELKO 470U 35V PM20	D 6511	75987-538.95	DIODE BYD 33 D
C 2575	75988-017.91	KONDENS. 8,2N 1,6KV PM5/ CAPACITOR	D 6513	8309-200-021	DIODE BAV21 ITT/ TFK
C 2589	△ 75988-017.94	SI-KERKO A-SS 1200PF 10%	D 6551	8309-200-021	DIODE BAV21 ITT/ TFK
C 2593	△ 75988-019.88	ELKO 47UF 200V 20%	D 6552	75988-009.83	DIODE BZX 79 C 18
C 2907	75988-015.44	KERAMIK-KONDENS.2KV 10N/ CERAMIC CAPACITOR	D 6553	8309-200-021	DIODE BAV21 ITT/ TFK
D 6313	8309-215-127	DIODE 1 N 4007 -GA	D 6554	75954-012.17	Z DIODE BZX 79 C24
D 6314	8309-215-127	DIODE 1 N 4007 -GA	D 6556	8309-200-021	DIODE BAV21 ITT/ TFK
D 6315	8309-215-127	DIODE 1 N 4007 -GA	D 6568	8309-200-021	DIODE BAV21 ITT/ TFK
D 6316	8309-215-127	DIODE 1 N 4007 -GA	D 6571	8309-516-854	DIODE BYT 54 M
D 6332	8309-516-852	DIODE BYT 52 M	D 6581	8309-200-021	DIODE BAV21 ITT/ TFK
D 6334	8309-200-021	DIODE BAV21 ITT/ TFK	D 6583	8309-200-021	DIODE BAV21 ITT/ TFK
D 6335	8309-200-021	DIODE BAV21 ITT/ TFK	D 6584	8309-720-100	Z DIODE 10 C 0,5W
D 6336	75987-538.95	DIODE BYD 33 D	D 6592	8309-516-852	DIODE BYT 52 M
D 6343	75988-009.33	DIODE BZX 79 C 9 V 1	D 6906	8309-200-021	DIODE BAV21 ITT/ TFK
D 6348	8309-198-085	DIODE BAT85 PHI	F 5313	△ 75988-000.54	NETZFILTER CU15D3/ MAINS FILTER
D 6350	8309-200-021	DIODE BAV21 ITT/ TFK	F 5350	75988-017.23	EMIFIL 100MHZ
			F 5351	75988-017.23	EMIFIL 100MHZ
			F 5354	75988-017.23	EMIFIL 100MHZ

Btx \*32700#

ÄNDERUNGEN VORBEHALTEN  
SUBJECT TO ALTERATION

POS. NR. POS. NO.	SACHNUMMER PART NUMBER	BEZEICHNUNG DESCRIPTION
F 5363	75988-017.23	EMIFIL 100MHZ
F 5364	75988-017.23	EMIFIL 100MHZ
F 5365	75988-017.23	EMIFIL 100MHZ
F 5370	75988-017.23	EMIFIL 100MHZ
F 5556	75988-017.23	EMIFIL 100MHZ
IC 7310	75988-027.79	IC MC 44603 F
IC 7331	75988-019.93	IC TL 431CS-AP
IC 7350	8305-204-319	IC LM 317 T NSC/SGS
IC 7510	75988-021.21	IC TDA 3653C/N2
IC 7900	75988-021.23	IC TDA 6103Q/N3
L 5352	75988-017.28	SPULE 22MU/COIL
L 5353	75988-010.52	SPULE 22UH/COIL
L 5361	75988-026.41	SPULE 33U PM5 SPT0508/COIL
L 5371	75988-010.52	SPULE 22UH/COIL
L 5372	75988-010.52	SPULE 22UH/COIL
L 5373	75988-010.52	SPULE 22UH/COIL
L 5374	75988-017.28	SPULE 22MU/COIL
L 5590	75988-026.39	SPULE 47U PM5 SPT0508/COIL
L 5902	75988-000.24	DR 0411 330UH 10% GA
R 3300	△ 75990-100.39	WIDERST.4,7MOHM 5%/ RESISTOR
R 3310	75988-019.66	PTC/PTC 9 OHM 230VS 30%
R 3312	△ 75988-001.77	WIDERST.3,9MOHM
R 3313	△ 75988-001.77	WIDERST.3,9MOHM/ RESISTOR
R 3338	△ 75988-019.21	MSW 0207 39 OHM 5% AX.
R 3341	△ 75988-019.22	MSW NB 0207 5,6 OHM 5%
R 3358	75988-033.04	CERM TRIM 4,7KOHM PM25
R 3523	75988-019.91	R-TRIM 100 OHM RH063LC
R 3524	75988-019.92	R-TRIM 4,7 OHM RH063LC
R 3531	△ 75988-015.91	WIDERST.2,7 OHM
R 3532	△ 75988-019.22	MSW NB 0207 5,6 OHM 5%
R 3537	△ 75988-019.22	MSW NB 0207 5,6 OHM 5%
R 3592	△ 75952-030.91	MSW NB 0207 4,7 OHM 5% GA
R 3917	8792-001-125	ESTR.P6/A 470 OHM LIN
R 3918	8792-001-125	ESTR.P6/A 470 OHM LIN
R 3919	75988-009.73	ESTR S6 2,2 KOHM LIN RM3
R 3920	8792-001-125	ESTR.P6/A 470 OHM LIN
S 1000	△ 75988-015.19	NETZSCHALTER/ POWER SWITCH
SI 1311	△ 75988-019.76	SICHERUNG T4 AH 250V/FUSE
SI 1371	△ 8315-621-027	LOET-SI.-GR 2,5 A/T
T 7330	75988-019.12	TRANS FET POW STP 4NA60FI
T 7351	8303-205-547	TRANS.BC 547 B
T 7352	75988-021.20	TRANS. FET POW MTP3055E
T 7550	8303-205-547	TRANS.BC 547 B
T 7578	8303-205-557	TRANS.BC 557 B
T 7583	75988-019.78	TRANS.BUT 12AF/
T 7584	8302-420-043	TRANS.MPS-A 43 MOT
T 7585	8303-205-547	TRANS.BC 547 B
T 7587	8303-205-547	TRANS.BC 547 B
T 7901	8303-205-547	TRANS.BC 547 B
T 7902	8303-205-547	TRANS.BC 547 B
TR 5331	△ 75988-025.40	TRAFO ETD 39 14"EU
TR 5550	△ 75988-019.77	TRANSFORMATOR LOT 14"/ TRANSFORMER
TR 5580	75988-021.18	TREIBERTRAFO CU 10/ DRIVER TRANSFORMER

Es gelten die Vorschriften und Sicherheitshinweise gemäß dem Service Manual "Sicherheit", Sach-Nummer 72010-800.00, sowie zusätzlich die eventuell abweichenden, landesspezifischen Vorschriften!



The regulations and safety instructions shall be valid as provided by the "Safety" Service Manual, part number 72010-800.00, as well as the respective national deviations.

ÄNDERUNGEN VORBEHALTEN / SUBJECT TO ALTERATION

Btx \*32700#

## Ersatzteilliste Spare Parts List

### 02 / 97

ALLE NICHT AUFGEFÜHRTEN E-TEILE  
SIEHE E-LISTE LEISTUNGS-CHASSIS 27599-103.25

ALL PARTS NOT LISTED REFER TO  
PARTS-LIST POWER CHASSIS 27599-103.25

## LEISTUNGS-CHASSIS GSPD21B POWER CHASSIS GSPD21B

SACH-NR. / PART NO.:27599-103.27

POS. NR. POS. NO.	ABB. FIG.	SACHNUMMER PART NUMBER	ANZ. QTY.	BEZEICHNUNG D	DESCRIPTION GB
1002.000	△	75988-026.29		STECKVERBINDER 2 POL VERT	CONNECTOR 2 P VERT
1013.000	△	75988-025.17		LEITUNG KPL.PCPS2-NETZSCH	CABLE CPL PCPS2 POWER SWI
1962.000	△	75988-025.16		LEITUNG KPL.AQUADAC-21"	CABLE CPL AQUADAC-21"
1966.000	△	75988-025.13		CRT SOCKEL	CRT SOCKET

POS. NR. POS. NO.	SACHNUMMER PART NUMBER	BEZEICHNUNG DESCRIPTION	POS. NR. POS. NO.	SACHNUMMER PART NUMBER	BEZEICHNUNG DESCRIPTION
C 2328	△ 75988-010.45	SI-KERKO C 470PF 10% 400V			
C 2575	△ 75988-026.31	KONDENSATOR 12N 1,6KV 5%			
C 2586	△ 75988-026.32	KONDENSATOR 1N5 2KV PM10/ CAPACITOR			
D 6513	75987-538.95	DIODE BYD 33 D			
D 6552	8309-720-100	Z DIODE 10 C 0,5W			
D 6582	8309-200-021	DIODE BAV21 ITT/TFK			
D 6584	8309-707-012	Z-DIODE ZPD4,7 ITT			
D 6904	8309-200-021	DIODE BAV21 ITT/TFK			
F 5312	△ 75988-019.67	FILTER 29000U UF 2327			
IC 7510	8305-333-654	IC TDA 3654 VAL			
L 5510	△ 75988-026.40	SPULE LC 110 LIN/COIL			
L 5590	△ 75988-026.41	SPULE 33U PM5 SPT0508/COIL			
L 5901	75988-026.39	SPULE 47U PM5 SPT0508/COIL			
R 3302	△ 75988-019.20	WIDERSTAND VR37 4,7 MOHM/ RESISTOR			
R 3527	△ 75988-026.33	MSW NB 0207 1 KOHM 5%			
R 3532	△ 75988-026.34	MSW NB0207 4,7 OHM 5%			
R 3537	△ 75988-026.34	MSW NB0207 4,7 OHM 5%			
R 3592	△ 75988-026.35	MSW NB 0207 8,2 OHM 5%			
R 3917	75988-026.36	CARB FLM TRIM 220 OHM 30%			
R 3918	75988-026.36	CARB FLM TRIM 220 OHM 30%			
R 3920	75988-026.36	CARB FLM TRIM 220 OHM 30%			
S 1003	△ 75988-015.19	NETZSCHALTER/ POWER SWITCH			
T 7583	75988-021.22	TRANS. BU 1508DX			
T 7903	8302-222-422	TRANS.BF 422 NUR=VAL			
TR 5330	△ 75988-025.32	TRAFO ETD39 20/21			
TR 5551	△ 75988-026.44	TRAFO LOT 21" AT2078/40TB/ TRANSFORMER			
TR 5581	75988-025.19	TREIBER TRAFO/ DRIVER TRANSFORMER			

Es gelten die Vorschriften und Sicherheitshinweise gemäß dem Service Manual "Sicherheit", Sach-Nummer 72010-800.00, sowie zusätzlich die eventuell abweichenden, landesspezifischen Vorschriften!



The regulations and safety instructions shall be valid as provided by the "Safety" Service Manual, part number 72010-800.00, as well as the respective national deviations.

ÄNDERUNGEN VORBEHALTEN / SUBJECT TO ALTERATION

Btx \*32700#

Ersatzteilliste  
Spare Parts List

02 / 97

## SIGNAL CHASSIS KSPDG1/GVXF

SACH-NR. / PART NO.: 27599-101.37

POS. NR. POS. NO.	ABB. FIG.	SACHNUMMER PART NUMBER	ANZ. QTY.	BEZEICHNUNG (D)	DESCRIPTION (GB)
0010.000		75988-021.24		LED HALTER U. IR-EMPFAENGER	LED HOLDER A. IR RECEIVER
1901.000		75988-000.97		STECKERLEISTE 3POL	MULTIPOINT CONNECTOR 3P
1902.000		75988-000.90		STECKERLEISTE 10POL	MULTIPOINT CONNECTOR 10P
1903.000		75988-009.48		STECKERLEISTE 3POL	MULTIPOINT CONNECTOR 3P
1904.000		75988-000.93		STECKERLEISTE 6POL	MULTIPOINT CONNECTOR 6P
1905.000		75988-000.91		STECKERLEISTE 15POL	MULTIPOINT CONNECTOR 15P
1909.000		75988-019.80		SOCKEL 13-FACH	BASE 13-FOLD
1911.000		75988-022.57		SOCKEL 5-FACH	BASE 5-FOLD
1912.000		75988-019.81		SOCKEL 7-FACH	BASE 7-FOLD
1913.000		75988-015.25		STECKERVERBINDUNG 5-POL	CONNECTOR 5 P
1914.000		75988-000.97		STECKERLEISTE 3POL	MULTIPOINT CONNECTOR 3P
1915.000		75988-017.54		SCART SOCKEL, SCHWARZ	SCART SOCKET, BLACK
1918.000		75988-019.82		SOCKEL 4-FACH	BASE 4-FOLD
1971.000		75988-000.97		STECKERLEISTE 3POL	MULTIPOINT CONNECTOR 3P

POS. NR. POS. NO.	SACHNUMMER PART NUMBER	BEZEICHNUNG DESCRIPTION	POS. NR. POS. NO.	SACHNUMMER PART NUMBER	BEZEICHNUNG DESCRIPTION
D 6000	8309-214-218	DIODE TD129 UNI/1N4148/BA	D 6869	8309-921-250	LE DIODE TLHR 4205 TFK
D 6200	8309-214-218	DIODE TD129 UNI/1N4148/BA	F 1720	75988-000.29	SAW FILTER OFWG1966M
D 6206	8309-313-070	SMD-DIODE BAV 70	F 1740	75988-019.89	FILTER CER BS 5,5 MHZ
D 6208	8309-214-218	DIODE TD129 UNI/1N4148/BA	F 1745	75988-005.37	FILTER 5,5MHZ
D 6209	75954-020.90	DIODE BAS 216	IC 7051	75988-324.20	IC LA 7437
D 6210	75988-019.62	DIODE-SM BAT 254	IC 7060	75988-038.13	IC LC 89979M-TE-L
D 6242	75988-009.83	DIODE BZX 79 C 18	IC 7200	75988-017.75	IC TDA 8361 N 3
D 6261	8309-198-085	DIODE BAT85 PHI	IC 7201	8305-334-665	IC TDA4665N/4/ U3665M-M
D 6262	8309-198-085	DIODE BAT85 PHI	IC 7240	75988-021.26	IC TDA 7056B/N1
D 6263	8309-198-085	DIODE BAT85 PHI	IC 7260	8305-734-053	SMD IC HEF4053BT PHI
D 6500	8309-720-112	Z DIODE 12 C 0,5W	IC 7402	8305-204-275	IC L 2722 SGS
D 6503	8309-720-112	Z DIODE 12 C 0,5W	IC 7410	75988-025.35	IC TMP91C242AN/BTV2D-2P
D 6504	8309-720-112	Z DIODE 12 C 0,5W	IC 7411	75988-000.39	IC SAA 1310 N 2
D 6505	8309-720-112	Z DIODE 12 C 0,5W	IC 7592	8305-734-052	SMD IC HEF4052BT PHI
D 6506	8309-720-112	Z DIODE 12 C 0,5W	IC 7601	75988-000.42	IC LA 7282
D 6507	8309-720-112	Z DIODE 12 C 0,5W	IC 7680	75988-017.79	IC L 78 M 08 CV
D 6508	8309-720-112	Z DIODE 12 C 0,5W	IC 7801	75988-018.32	IC TMP 87CS39N PTCG1-5
D 6509	8309-720-112	Z DIODE 12 C 0,5W	IC 7812	75988-000.69	IR-EMPFAENGER TFMS5360/IR-RECEIVER
D 6510	75988-027.72	Z-DIODE BZX79-C27	IC 7813	8305-602-408	IC 24 C 08
D 6512	8309-214-218	DIODE TD129 UNI/1N4148/BA	IC 7870	75988-017.85	IC LM 339 N
D 6513	8309-214-218	DIODE TD129 UNI/1N4148/BA	IC 7880	75988-021.30	IC SAA 5281/P/E/M3
D 6514	8309-214-218	DIODE TD129 UNI/1N4148/BA	L 1802	75988-019.79	SPULE VAR 7,4 MHZ/COIL
D 6515	8309-214-218	DIODE TD129 UNI/1N4148/BA	L 5000	8140-525-974	DR AX 0411-GA 22UH
D 6516	8309-720-112	Z DIODE 12 C 0,5W	L 5001	75988-039.02	DR 0207 15UH 5% GR
D 6517	8309-720-112	Z DIODE 12 C 0,5W	L 5002	75988-019.53	DR 0207 68 UH 5% AX
D 6690	8309-720-056	Z DIODE 5,6 C 0,5W	L 5003	75988-001.67	DR 100UH 5% RM5 GR
D 6691	8309-720-056	Z DIODE 5,6 C 0,5W	L 5004	75988-019.53	DR 0207 68 UH 5% AX
D 6693	8309-720-056	Z DIODE 5,6 C 0,5W	L 5005	75981-308.36	DR 0207 27UH 5% GA
D 6694	8309-214-218	DIODE TD129 UNI/1N4148/BA	L 5006	75988-019.54	DR 0207 47 UH 5% AX
D 6801	8309-198-085	DIODE BAT85 PHI	L 5007	75981-310.62	DR 0207 120UH 5% AX
D 6802	8309-198-085	DIODE BAT85 PHI	L 5008	75988-019.55	DR 0207 56 UH 5% AX
D 6804	8309-214-218	DIODE TD129 UNI/1N4148/BA	L 5009	75988-019.56	DR 0207 150UH 5% AX
D 6805	8309-214-218	DIODE TD129 UNI/1N4148/BA			
D 6830	8309-214-218	DIODE TD129 UNI/1N4148/BA			
D 6863	8309-921-250	LE DIODE TLHR 4205 TFK			
D 6868	8309-921-250	LE DIODE TLHR 4205 TFK			

Btx \*32700#

ÄNDERUNGEN VORBEHALTEN  
SUBJECT TO ALTERATION

GRUNDIG

TVR

POS. NR. POS. NO.	SACHNUMMER PART NUMBER	BEZEICHNUNG DESCRIPTION	POS. NR. POS. NO.	SACHNUMMER PART NUMBER	BEZEICHNUNG DESCRIPTION
L 5010	75988-019.54	DR 0207 47 UH 5% AX	T 7208	75988-026.20	SM TRANS MUN2112
L 5011	75988-019.57	DR 0207 270 UH 5% AX	T 7209	75988-005.28	TRANS.PMBT 2369
L 5012	75988-019.58	DR 0207 220 UH 5% AX	T 7210	8301-004-857	SMD-TRANS.BC 857 B
L 5015	75988-002.17	DR 0309 22UH 10% AX	T 7211	75988-005.28	TRANS.PMBT 2369
L 5200	75988-002.17	DR 0309 22UH 10% AX	T 7212	75988-005.28	TRANS.PMBT 2369
L 5201	75988-000.23	DR 0309 6,8UH 10% GR	T 7213	8301-004-857	SMD-TRANS.BC 857 B
L 5202	75988-000.23	DR 0309 6,8UH 10% GR	T 7214	8301-004-847	SMD-TRANS.BC 847 B
L 5203	75988-000.23	DR 0309 6,8UH 10% GR	T 7215	8301-004-847	SMD-TRANS.BC 847 B
L 5401	75988-000.23	DR 0309 6,8UH 10% GR	T 7216	8301-004-847	SMD-TRANS.BC 847 B
L 5402	75988-000.25	DR 0309 0,33UH 20% GA	T 7250	8301-004-847	SMD-TRANS.BC 847 B
L 5601	75988-039.50	DR 10 MH RMS 10 RB	T 7403	8301-004-847	SMD-TRANS.BC 847 B
L 5602	75988-001.71	DR A 330UH 5% RM5 GR	T 7405	75988-026.20	SM TRANS MUN2112
L 5603	75988-000.46	SPULE/COIL	T 7406	75988-026.20	SM TRANS MUN2112
L 5650	75988-039.50	DR 10 MH RMS 10 RB	T 7407	8301-004-847	SMD-TRANS.BC 847 B
L 5700	75988-000.23	DR 0309 6,8UH 10% GR	T 7408	8301-004-847	SMD-TRANS.BC 847 B
L 5701	75988-005.55	DR A 1UH 5% RM5 GR	T 7490	8301-004-847	SMD-TRANS.BC 847 B
L 5705	75988-017.74	SPULE 0,17U 38,9/COIL	T 7491	75988-027.81	TRANS. BD 438
L 5706	75988-001.68	DR 15UH 5% RM5 GR	T 7492	8301-004-847	SMD-TRANS.BC 847 B
L 5801	75988-000.23	DR 0309 6,8UH 10% GR	T 7493	75988-019.63	SM TRANSISTOR MUN 2212
L 5880	75988-324.14	DR 10UH 10% RM5 GR	T 7500	8301-004-847	SMD-TRANS.BC 847 B
L 5881	75988-006.73	DR 4,7UH 5% RM5 GR	T 7503	8301-004-857	SMD-TRANS.BC 847 B
Q 1000	75988-005.36	QUARZ 4,433619 MHZ	T 7504	8301-006-848	SMD-TRANS.BC 848 C
Q 1200	75988-019.98	QUARZ 4,433664 MHZ TR-49A	T 7505	8301-004-847	SMD-TRANS.BC 847 B
Q 1400	75988-028.04	QUARZ 10 MHZ H	T 7506	8301-004-857	SMD-TRANS.BC 847 B
Q 1800	75988-032.57	QUARZ 27 MHZ H	T 7508	75988-000.47	TRANS.BF 824
Q 1801	75988-028.25	CER.RES. 8,00 MHZ	T 7509	8301-004-847	SMD-TRANS.BC 847 B
Q 1803	75988-000.64	QUARZ 32,768 KHZ	T 7603	75988-009.84	TRANS.BC 817-40
R 3010	75988-009.41	TRIMMER 10KOHM PM30	T 7604	8303-275-328	TRANS.BC 328-40
R 3206	△ 75988-017.68	WIDERST.10KOHM	T 7605	75988-019.63	SM TRANSISTOR MUN 2212
R 3452	△ 75988-019.20	WIDERSTAND VR37 4,7 MOHM/ RESISTOR	T 7606	8301-004-857	SMD-TRANS.BC 847 B
S 1850	75988-018.03	SCHALTER/SWITCH	T 7681	8303-272-337	TRANS.BC 337-25
S 1851	75988-018.03	SCHALTER/SWITCH	T 7682	8303-272-337	TRANS.BC 337-25
S 1853	75988-018.03	SCHALTER/SWITCH	T 7690	75988-009.72	TRANS.BC 558 C
S 1854	75988-018.03	SCHALTER/SWITCH	T 7691	8301-004-847	SMD-TRANS.BC 847 B
S 1856	75988-018.03	SCHALTER/SWITCH	T 7692	8301-004-847	SMD-TRANS.BC 847 B
S 1857	75988-018.03	SCHALTER/SWITCH	T 7693	75988-009.72	TRANS.BC 558 C
S 1858	75988-018.03	SCHALTER/SWITCH	T 7694	75988-026.20	SM TRANS MUN2112
S 1859	75988-018.03	SCHALTER/SWITCH	T 7695	75988-026.20	SM TRANS MUN2112
S 1860	75988-018.03	SCHALTER/SWITCH	T 7696	75988-026.20	SM TRANS MUN2112
S 1861	75988-018.03	SCHALTER/SWITCH	T 7700	8301-004-847	SMD-TRANS.BC 847 B
SI 1001	△ 8315-614-026	LOET-SI.-GR 500 MA/T	T 7703	8301-006-848	SMD-TRANS.BC 848 C
SI 1002	△ 8315-614-027	LOET-SI.-GR 500 MA/F	T 7750	8301-004-847	SMD-TRANS.BC 847 B
SI 1004	△ 8315-614-025	LOET-SI.L2 500 MA/T	T 7752	8301-004-848	SMD-TRANS.BC 848 B
T 7000	8301-004-857	SMD-TRANS.BC 857 B	T 7753	75988-026.20	SM TRANS MUN2112
T 7001	75988-019.63	SM TRANSISTOR MUN 2212	T 7762	8301-006-848	SMD-TRANS.BC 848 C
T 7003	75988-026.20	SM TRANS MUN2112	T 7805	75988-026.20	SM TRANS MUN2112
T 7005	75988-026.20	SM TRANS MUN2112	T 7820	8301-004-847	SMD-TRANS.BC 847 B
T 7006	8303-205-557	TRANS.BC 557 B	T 7860	8301-004-847	SMD-TRANS.BC 847 B
T 7007	8301-004-847	SMD-TRANS.BC 847 B	T 7861	8301-004-847	SMD-TRANS.BC 847 B
T 7013	8301-004-847	SMD-TRANS.BC 847 B	T 7882	8301-004-847	SMD-TRANS.BC 847 B
T 7015	75988-026.20	SM TRANS MUN2112	T 7883	8301-004-857	SMD-TRANS.BC 857 B
T 7016	75988-026.20	SM TRANS MUN2112			
T 7018	8301-185-019	SMD-TRANS.BFS 19 PHI			
T 7019	8301-004-847	SMD-TRANS.BC 847 B			
T 7020	8301-185-019	SMD-TRANS.BFS 19 PHI			
T 7021	8301-185-019	SMD-TRANS.BFS 19 PHI			
T 7205	8301-004-847	SMD-TRANS.BC 847 B			
T 7206	75988-019.63	SM TRANSISTOR MUN 2212			
T 7207	75988-026.20	SM TRANS MUN2112			

Es gelten die Vorschriften und Sicherheitshinweise gemäß dem Service Manual "Sicherheit", Sach-Nummer 72010-800.00, sowie zusätzlich die eventuell abweichenden, landesspezifischen Vorschriften!



The regulations and safety instructions shall be valid as provided by the "Safety" Service Manual, part number 72010-800.00, as well as the respective national deviations.

Btx \*32700#

ÄNDERUNGEN VORBEHALTEN / SUBJECT TO ALTERATION



Ersatzteilliste  
Spare Parts List

TVR

02 / 97

ALLE NICHT AUFGEFÜHRTEN E-TEILE  
SIEHE E-LISTE SIGNAL CHASSIS 27599-101.37ALL PARTS NOT LISTED REFER TO  
PARTS-LIST SIGNAL CHASSIS 27599-101.37

## SIGNAL CHASSIS KSPDG1/GVXTF

SACH-NR. / PART NO.: 27599-101.40

POS. NR. POS. NO.	ABB. FIG.	SACHNUMMER PART NUMBER	ANZ. QTY.	BEZEICHNUNG (D)	DESCRIPTION (GB)
1301.000		75988-025.27		TUNER UV 916S/PH	TUNER UV 916S/PH
1501.000		75988-025.29		VERBINDUNGSKABEL TUN1-TUN2	CONNECTING CABLE TUN1-TUN2
1702.000		75988-025.30		TUNER UV 1216D/P	TUNER UV 1216D/P
1970.000		75988-000.97		STECKERLEISTE 3POL	MULTIPOINT CONNECTOR 3P

POS. NR. POS. NO.	SACHNUMMER PART NUMBER	BEZEICHNUNG DESCRIPTION	POS. NR. POS. NO.	SACHNUMMER PART NUMBER	BEZEICHNUNG DESCRIPTION
F 1320	75988-000.29	SAW FILTER OFWG1966M			
F 1340	75988-005.37	FILTER 5,5MHZ			
F 1345	75988-035.72	FILTER CER 5,5 MHZ			
IC 7300	75988-039.07	IC SM TDA 9800T/V3			
IC 7591	8305-734-052	SMD IC HEF4052BT PHI			
IC 7593	8305-734-052	SMD IC HEF4052BT PHI			
IC 7840	75988-009.37	IC SDA 5642-5			
IC 7881	8305-303-624	IC SAA5254P/E PHI			
L 5300	75988-000.23	SPULE 6MUH8 PM10/COIL			
L 5301	75988-005.55	DR A 1UH 5% RM5 GR			
L 5303	75988-025.31	SPULE VAR 77M8 OU25 7KM-H/COIL			
L 5304	75988-000.23	SPULE 6MUH8 PM10/COIL			
L 5307	75988-001.68	DR 15UH 5% RM5 GR			
L 5840	75988-000.23	SPULE 6MUH8 PM10/COIL			
R 3322	75988-010.70	TRIMMER 4,7KOHM PM30			
R 3341	75988-001.64	ESTR 22 KOHM PM30			
R 3606	75988-009.41	TRIMMER 10KOHM PM30			
SI 1003	△ 8315-614-026	LOET-SI.-GR 500 MA/T			
T 7304	8301-004-847	SMD-TRANS.BC 847 B			
T 7309	8301-004-847	SMD-TRANS.BC 847 B			
T 7310	8301-004-847	SMD-TRANS.BC 847 B			
T 7311	75988-019.63	SM TRANSISTOR MUN 2212			
T 7501	8301-004-857	SMD-TRANS.BC 857 B			
T 7502	8301-004-857	SMD-TRANS.BC 857 B			
T 7507	8301-004-857	SMD-TRANS.BC 857 B			

Es gelten die Vorschriften und Sicherheitshinweise gemäß dem Service Manual "Sicherheit", Sach-Nummer 72010-800.00, sowie zusätzlich die eventuell abweichenden, landesspezifischen Vorschriften!



The regulations and safety instructions shall be valid as provided by the "Safety" Service Manual, part number 72010-800.00, as well as the respective national deviations.

ÄNDERUNGEN VORBEHALTEN / SUBJECT TO ALTERATION

Btx \*32700#

Ersatzteilliste  
Spare Parts List

TVR

02 / 97

ALLE NICHT AUFGEFÜHRTEN E-TEILE  
SIEHE E-LISTE SIGNAL CHASSIS 27599-101.37ALL PARTS NOT LISTED REFER TO  
PARTS-LIST SIGNAL CHASSIS 27599-101.37

## SIGNAL CHASSIS KSPDG1/LPPVXT

SACH-NR. / PART NO.: 27599-101.41

POS. NR. POS. NO.	ABB. FIG.	SACHNUMMER PART NUMBER	ANZ. QTY.	BEZEICHNUNG (D)	DESCRIPTION (GB)
1301.000		75988-025.27		TUNER UV 916S/PH	TUNER UV 916S/PH
1501.000		75988-025.29		VERBINDUNGSKABEL TUN1-TUN2	CONNECTING CABLE TUN1-TUN2
1702.000		75988-025.30		TUNER UV 1216D/P	TUNER UV 1216D/P

POS. NR. POS. NO.	SACHNUMMER PART NUMBER	BEZEICHNUNG DESCRIPTION	POS. NR. POS. NO.	SACHNUMMER PART NUMBER	BEZEICHNUNG DESCRIPTION
F 1320	8319-001-952	OFW J 1952 SIE			
F 1340	75988-005.38	CER.FIL. TPS 6,0 MB			
F 1345	75988-037.22	FILTER 6MHZO EFCT-YS5 BP			
F 1720	8319-001-952	OFW J 1952 SIE			
F 1740	75988-005.38	CER.FIL. TPS 6,0 MB			
F 1745	75988-037.22	FILTER 6MHZO EFCT-YS5 BP			
IC 7300	75988-039.07	IC SM TDA 9800T/V3			
IC 7410	75988-019.26	IC TMP 91C242AN BTVD1-3P			
IC 7591	8305-734-052	SMD IC HEF4052BT PHI			
IC 7593	8305-734-052	SMD IC HEF4052BT PHI			
IC 7801	75988-026.21	IC TMP 87CS39N			
IC 7840	75988-032.45	IC SDA 5649			
L 5300	75988-000.23	DR 0309 6,8UH 10% GR			
L 5301	75988-005.55	DR A 1UH 5% RM5 GR			
L 5303	75988-025.31	SPULE VAR 77M8 OU25 7KM-H/COIL			
L 5304	75988-000.23	DR 0309 6,8UH 10% GR			
L 5307	75988-001.68	DR 15UH 5% RM5 GR			
L 5840	75988-000.23	DR 0309 6,8UH 10% GR			
R 3606	75988-009.41	TRIMMER 10KOHM PM30			
SI 1003	△ 8315-614-026	LOET-SI.-GR 500 MA/T			
T 7009	75988-019.63	SM TRANSISTOR MUN 2212			
T 7304	8301-004-847	SMD-TRANS.BC 847 B			
T 7309	8301-004-847	SMD-TRANS.BC 847 B			
T 7310	8301-004-847	SMD-TRANS.BC 847 B			
T 7311	75988-019.63	SM TRANSISTOR MUN 2212			
T 7501	8301-004-857	SMD-TRANS.BC 857 B			
T 7502	8301-004-857	SMD-TRANS.BC 857 B			
T 7507	8301-004-857	SMD-TRANS.BC 857 B			

Es gelten die Vorschriften und Sicherheitshinweise gemäß dem Service Manual "Sicherheit", Sach-Nummer 72010-800.00, sowie zusätzlich die eventuell abweichenden, landesspezifischen Vorschriften!



The regulations and safety instructions shall be valid as provided by the "Safety" Service Manual, part number 72010-800.00, as well as the respective national deviations.

ÄNDERUNGEN VORBEHALTEN / SUBJECT TO ALTERATION

Btx \*32700#



**GRUNDIG**Ersatzteilliste  
Spare Parts List

TVR

**02 / 97**ALLE NICHT AUFGEFÜHRTEN E-TEILE  
SIEHE E-LISTE SIGNAL CHASSIS 27599-101.37ALL PARTS NOT LISTED REFER TO  
PARTS-LIST SIGNAL CHASSIS 27599-101.37**SIGNAL CHASSIS KSPDG1/GVX**

SACH-NR. / PART NO.: 27599-101.42

POS. NR. POS. NO.	SACHNUMMER PART NUMBER	BEZEICHNUNG DESCRIPTION
IC 7410	75988-019.26	IC TMP 91C242AN BTVD1-3P

POS. NR. POS. NO.	SACHNUMMER PART NUMBER	BEZEICHNUNG DESCRIPTION
----------------------	---------------------------	----------------------------

**02 / 97**ALLE NICHT AUFGEFÜHRTEN E-TEILE  
SIEHE E-LISTE SIGNAL CHASSIS 27599-101.37ALL PARTS NOT LISTED REFER TO  
PARTS-LIST SIGNAL CHASSIS 27599-101.37**SIGNAL CHASSIS KSPDG1/GPVX**

SACH-NR. / PART NO.: 27599-101.43

POS. NR. POS. NO.	SACHNUMMER PART NUMBER	BEZEICHNUNG DESCRIPTION
IC 7410	75988-019.26	IC TMP 91C242AN BTVD1-3P
IC 7801	75988-026.22	IC TMP 87CS 39N

POS. NR. POS. NO.	SACHNUMMER PART NUMBER	BEZEICHNUNG DESCRIPTION
----------------------	---------------------------	----------------------------

**02 / 97**ALLE NICHT AUFGEFÜHRTEN E-TEILE  
SIEHE E-LISTE SIGNAL CHASSIS 27599-101.37ALL PARTS NOT LISTED REFER TO  
PARTS-LIST SIGNAL CHASSIS 27599-101.37**SIGNAL CHASSIS KSPDG2/GPVX**

SACH-NR. / PART NO.: 27599-101.45

POS. NR. POS. NO.	SACHNUMMER PART NUMBER	BEZEICHNUNG DESCRIPTION
IC 7410	75988-019.26	IC TMP 91C242AN BTVD1-3P
IC 7801	75988-026.43	IC TMP 87CS39N PTCG3-6

POS. NR. POS. NO.	SACHNUMMER PART NUMBER	BEZEICHNUNG DESCRIPTION
----------------------	---------------------------	----------------------------

**GRUNDIG**Ersatzteilliste  
Spare Parts List

TVR

**02 / 97**ALLE NICHT AUFGEFÜHRTEN E-TEILE  
SIEHE E-LISTE SIGNAL CHASSIS 27599-101.37ALL PARTS NOT LISTED REFER TO  
PARTS-LIST SIGNAL CHASSIS 27599-101.37**SIGNAL CHASSIS KSPDG1/ILPPVXF**

SACH-NR. / PART NO.: 27599-101.46

POS. NR. POS. NO.	SACHNUMMER PART NUMBER	BEZEICHNUNG DESCRIPTION
F 1720	8319-001-952	OFW J 1952 SIE
F 1740	75988-005.38	CER.FIL. TPS 6,0 MB
F 1745	75988-037.22	FILTER 6MHZO EFCT-Y55 BP

POS. NR. POS. NO.	SACHNUMMER PART NUMBER	BEZEICHNUNG DESCRIPTION
----------------------	---------------------------	----------------------------

IC 7410	75988-019.26	IC TMP 91C242AN BTVD1-3P
IC 7801	75988-026.21	IC TMP 87CS39N

T 7009	75988-019.63	SM TRANSISTOR MUN 2212
--------	--------------	------------------------

**02 / 97**ALLE NICHT AUFGEFÜHRTEN E-TEILE  
SIEHE E-LISTE SIGNAL CHASSIS 27599-101.37ALL PARTS NOT LISTED REFER TO  
PARTS-LIST SIGNAL CHASSIS 27599-101.37**SIGNAL CHASSIS KSMDG1/GV**

SACH-NR. / PART NO.: 27599-101.47

POS. NR. POS. NO.	ABB. FIG.	SACHNUMMER PART NUMBER	ANZ. QTY.	BEZEICHNUNG (D)	DESCRIPTION (GB)
0002.000		75988-026.26		LED BUCHSE	LED COVER
0003.000		75988-026.27		LED KLEMME	LED CLAMP
0004.000		75988-026.28		IR-BUCHSE	IR SOCKET
1916.000		75988-017.55		KOPFHOERERBUCHSE	EAR PHONE SOCKET

POS. NR. POS. NO.	SACHNUMMER PART NUMBER	BEZEICHNUNG DESCRIPTION
----------------------	---------------------------	----------------------------

POS. NR. POS. NO.	SACHNUMMER PART NUMBER	BEZEICHNUNG DESCRIPTION
----------------------	---------------------------	----------------------------

D 6863	75988-017.77	LE DIODE TLHR 4605
--------	--------------	--------------------

IC 7410	75988-019.26	IC TMP 91C242AN BTVD1-3P
IC 7840	75988-009.37	IC SDA 5642-5

L 5840	75988-000.23	DR 0309 6,8UH 10% GR
--------	--------------	----------------------

S 1852	75988-018.03	SCHALTER/SWITCH
--------	--------------	-----------------

Ersatzteilliste  
Spare Parts List

TVR

02 / 97

ALLE NICHT AUFGEFÜHRTEN E-TEILE  
SIEHE E-LISTE SIGNAL CHASSIS 27599-101.37ALL PARTS NOT LISTED REFER TO  
PARTS-LIST SIGNAL CHASSIS 27599-101.37

## SIGNAL CHASSIS KSMDG3/GV

SACH-NR. / PART NO.: 27599-101.48

POS. NR. POS. NO.	ABB. FIG.	SACHNUMMER PART NUMBER	ANZ. QTY.	BEZEICHNUNG (D)	DESCRIPTION (GB)
0002.000		75988-026.26		LED BUCHSE	LED COVER
0003.000		75988-026.27		LED KLEMME	LED CLAMP
0004.000		75988-026.28		IR-BUCHSE	IR SOCKET
1916.000		75988-017.55		KOPFHÖRERBUCHSE	EAR PHONE SOCKET

POS. NR. POS. NO.	SACHNUMMER PART NUMBER	BEZEICHNUNG DESCRIPTION	POS. NR. POS. NO.	SACHNUMMER PART NUMBER	BEZEICHNUNG DESCRIPTION
D 6863	75988-017.77	LE DIODE TLHR 4605			
IC 7410	75988-019.26	IC TMP 91C242AN BTVD1-3P			
IC 7801	75988-026.24	IC TMP 87CS39N PTCG4-6			
L 5840	75988-000.23	DR 0309 6,8UH 10% GR			
S 1852	75988-018.03	SCHALTER/SWITCH			

02 / 97

ALLE NICHT AUFGEFÜHRTEN E-TEILE  
SIEHE E-LISTE SIGNAL CHASSIS 27599-101.37ALL PARTS NOT LISTED REFER TO  
PARTS-LIST SIGNAL CHASSIS 27599-101.37

## SIGNAL CHASSIS KSMDG2/GV

SACH-NR. / PART NO.: 27599-101.49

POS. NR. POS. NO.	ABB. FIG.	SACHNUMMER PART NUMBER	ANZ. QTY.	BEZEICHNUNG (D)	DESCRIPTION (GB)
0002.000		75988-026.26		LED BUCHSE	LED COVER
0003.000		75988-026.27		LED KLEMME	LED CLAMP
0004.000		75988-026.28		IR-BUCHSE	IR SOCKET
1916.000		75988-017.55		KOPFHÖRERBUCHSE	EAR PHONE SOCKET

POS. NR. POS. NO.	SACHNUMMER PART NUMBER	BEZEICHNUNG DESCRIPTION	POS. NR. POS. NO.	SACHNUMMER PART NUMBER	BEZEICHNUNG DESCRIPTION
D 6863	75988-017.77	LE DIODE TLHR 4605			
IC 7410	75988-019.26	IC TMP 91C242AN BTVD1-3P			
IC 7801	75988-026.23	IC TMP 87CS39N PTCG3-6			
IC 7840	75988-009.37	IC SDA 5642-5			
L 5840	75988-000.23	DR 0309 6,8UH 10% GR			
S 1852	75988-018.03	SCHALTER/SWITCH			

Ersatzteilliste  
Spare Parts List

TVR

02 / 97

ALLE NICHT AUFGEFÜHRTEN E-TEILE  
SIEHE E-LISTE SIGNAL CHASSIS 27599-101.37ALL PARTS NOT LISTED REFER TO  
PARTS-LIST SIGNAL CHASSIS 27599-101.37

## SIGNAL CHASSIS KSPDG1/GVXF

SACH-NR. / PART NO.: 27599-101.51

POS. NR. POS. NO.	ABB. FIG.	SACHNUMMER PART NUMBER	ANZ. QTY.	BEZEICHNUNG (D)	DESCRIPTION (GB)
1701.000		75988-019.96		TUNER UV 916S MIT EURO1	TUNER UV 916S WITH EURO1

POS. NR. POS. NO.	SACHNUMMER PART NUMBER	BEZEICHNUNG DESCRIPTION	POS. NR. POS. NO.	SACHNUMMER PART NUMBER	BEZEICHNUNG DESCRIPTION
IC 7410	75988-019.26	IC TMP 91C242AN BTVD1-3P			
IC 7840	75988-009.37	IC SDA 5642-5			
L 5840	75988-000.23	DR 0309 6,8UH 10% GR			

Es gelten die Vorschriften und Sicherheitshinweise gemäß dem Service Manual "Sicherheit", Sach-Nummer 72010-800.00, sowie zusätzlich die eventuell abweichenden, landesspezifischen Vorschriften!

Btx \*32700#



The regulations and safety instructions shall be valid as provided by the "Safety" Service Manual, part number 72010-800.00, as well as the respective national deviations.

ÄNDERUNGEN VORBEHALTEN / SUBJECT TO ALTERATION

**GRUNDIG**Ersatzteilliste  
Spare Parts List

TVR

**02 / 97**ALLE NICHT AUFGEFÜHRTEN E-TEILE  
SIEHE E-LISTE SIGNAL CHASSIS 27599-101.37ALL PARTS NOT LISTED REFER TO  
PARTS-LIST SIGNAL CHASSIS 27599-101.37**SIGNAL CHASSIS KSPDG1/GLF**

SACH-NR. / PART NO.: 27599-101.52

POS. NR. POS. NO.	ABB. FIG.	SACHNUMMER PART NUMBER	ANZ. QTY.	BEZEICHNUNG <b>(D)</b>	DESCRIPTION <b>(GB)</b>
1701.000		75988-019.95		TUNER UV 916S	TUNER UV 916S

POS. NR. POS. NO.	SACHNUMMER PART NUMBER	BEZEICHNUNG DESCRIPTION
IC 7410	75988-019.26	IC TMP 91C242AN BTVD1-3P
IC 7801	75988-026.24	IC TMP 87CS39N PTCG4-6

POS. NR. POS. NO.	SACHNUMMER PART NUMBER	BEZEICHNUNG DESCRIPTION
----------------------	---------------------------	----------------------------

Es gelten die Vorschriften und Sicherheitshinweise gemäß dem Service Manual "Sicherheit", Sach-Nummer 72010-800.00, sowie zusätzlich die eventuell abweichenden, landesspezifischen Vorschriften!



The regulations and safety instructions shall be valid as provided by the "Safety" Service Manual, part number 72010-800.00, as well as the respective national deviations.

Btx \*32700#

ÄNDERUNGEN VORBEHALTEN / SUBJECT TO ALTERATION

**GRUNDIG**Ersatzteilliste  
Spare Parts List

TVR

**02 / 97**ALLE NICHT AUFGEFÜHRTEN E-TEILE  
SIEHE E-LISTE SIGNAL CHASSIS 27599-101.37ALL PARTS NOT LISTED REFER TO  
PARTS-LIST SIGNAL CHASSIS 27599-101.37**SIGNAL CHASSIS KSPDG2/GF**

SACH-NR. / PART NO.: 27599-101.53

POS. NR. POS. NO.	ABB. FIG.	SACHNUMMER PART NUMBER	ANZ. QTY.	BEZEICHNUNG <b>(D)</b>	DESCRIPTION <b>(GB)</b>
1701.000		75988-019.96		TUNER UV 916S MIT EURO1	TUNER UV 916S WITH EURO1

POS. NR. POS. NO.	SACHNUMMER PART NUMBER	BEZEICHNUNG DESCRIPTION
IC 7410	75988-019.26	IC TMP 91C242AN BTVD1-3P
IC 7801	75988-026.23	IC TMP 87CS39N PTCG3-6

POS. NR. POS. NO.	SACHNUMMER PART NUMBER	BEZEICHNUNG DESCRIPTION
----------------------	---------------------------	----------------------------

Es gelten die Vorschriften und Sicherheitshinweise gemäß dem Service Manual "Sicherheit", Sach-Nummer 72010-800.00, sowie zusätzlich die eventuell abweichenden, landesspezifischen Vorschriften!



The regulations and safety instructions shall be valid as provided by the "Safety" Service Manual, part number 72010-800.00, as well as the respective national deviations.

Btx \*32700#

ÄNDERUNGEN VORBEHALTEN / SUBJECT TO ALTERATION

## Ersatzteilliste Spare Parts List

### TVR

### 02 / 97

ALLE NICHT AUFGEFÜHRTEN E-TEILE  
SIEHE E-LISTE SIGNAL CHASSIS 27599-101.37

ALL PARTS NOT LISTED REFER TO  
PARTS-LIST SIGNAL CHASSIS 27599-101.37

## SIGNAL CHASSIS KSPDG2/GVXTF

SACH-NR. / PART NO.: 27599-101.55

POS. NR. POS. NO.	ABB. FIG.	SACHNUMMER PART NUMBER	ANZ. QTY.	BEZEICHNUNG <b>(D)</b>	DESCRIPTION <b>(GB)</b>
1301.000		75988-025.27		TUNER UV 916S/PH EURO1	TUNER UV 916S/PH EURO1
1501.000		75988-025.29		VERBINDUNGSKABEL TUN1-TUN2	CONNECTING CABLE TUN1-TUN2
1702.000		75988-025.30		TUNER UV 1216D/P	TUNER UV 1216D/P

POS. NR. POS. NO.	SACHNUMMER PART NUMBER	BEZEICHNUNG DESCRIPTION	POS. NR. POS. NO.	SACHNUMMER PART NUMBER	BEZEICHNUNG DESCRIPTION
F 1320	75988-000.29	SAW FILTER OFWG1966M	F 1340	75988-005.37	FILTER 5,5MHZ
F 1340	75988-005.37	FILTER 5,5MHZ	F 1345	75988-035.72	FILTER CER 5,5 MHZ
IC 7300	8305-849-800	SMD IC TDA9800T PHI	IC 7410	75988-019.26	IC TMP 91C242AN BTVD1-3P
IC 7410	75988-019.26	IC TMP 91C242AN BTVD1-3P	IC 7591	75988-019.74	IC SM 4052BT
IC 7591	75988-019.74	IC SM 4052BT	IC 7593	75988-019.74	IC SM 4052BT
IC 7593	75988-019.74	IC SM 4052BT	IC 7840	75988-009.37	IC SDA 5642-5
IC 7840	75988-009.37	IC SDA 5642-5	IC 7881	8305-303-624	IC SAA5254P/E PHI
IC 7881	8305-303-624	IC SAA5254P/E PHI	L 5300	75988-000.23	DR 0309 6,8UH 10% GR
L 5300	75988-000.23	DR 0309 6,8UH 10% GR	L 5301	75988-005.55	DR A 1UH 5% RM5 GR
L 5301	75988-005.55	DR A 1UH 5% RM5 GR	L 5303	75988-025.31	SPULE VAR 77M8 OU25 7KM-H/ COIL
L 5303	75988-025.31	SPULE VAR 77M8 OU25 7KM-H/ COIL	L 5304	75988-000.23	DR 0309 6,8UH 10% GR
L 5304	75988-000.23	DR 0309 6,8UH 10% GR	L 5307	75988-001.68	DR 15UH 5% RM5 GR
L 5307	75988-001.68	DR 15UH 5% RM5 GR	L 5840	75988-000.23	DR 0309 6,8UH 10% GR
L 5840	75988-000.23	DR 0309 6,8UH 10% GR	R 3322	75988-010.70	TRIMMER 4,7KOHM PM30
R 3322	75988-010.70	TRIMMER 4,7KOHM PM30	R 3341	75988-001.64	ESTR 22 KOHM PM30
R 3341	75988-001.64	ESTR 22 KOHM PM30	R 3606	75988-009.41	TRIMMER 10KOHM PM30
R 3606	75988-009.41	TRIMMER 10KOHM PM30	SI 1003	△ 75988-019.75	SICHERUNG MRT 0.500-C1/FUSE
SI 1003	△ 75988-019.75	SICHERUNG MRT 0.500-C1/FUSE	T 7304	8301-004-847	SMD-TRANS.BC 847 B
T 7304	8301-004-847	SMD-TRANS.BC 847 B	T 7309	8301-004-847	SMD-TRANS.BC 847 B
T 7309	8301-004-847	SMD-TRANS.BC 847 B	T 7310	8301-004-847	SMD-TRANS.BC 847 B
T 7310	8301-004-847	SMD-TRANS.BC 847 B	T 7311	75988-019.63	SM TRANSISTOR MUN 2212
T 7311	75988-019.63	SM TRANSISTOR MUN 2212	T 7501	8301-004-857	SMD-TRANS.BC 857 B
T 7501	8301-004-857	SMD-TRANS.BC 857 B	T 7502	8301-004-857	SMD-TRANS.BC 857 B
T 7502	8301-004-857	SMD-TRANS.BC 857 B	T 7507	8301-004-857	SMD-TRANS.BC 857 B
T 7507	8301-004-857	SMD-TRANS.BC 857 B			

Es gelten die Vorschriften und Sicherheitshinweise gemäß dem Service Manual "Sicherheit", Sach-Nummer 72010-800.00, sowie zusätzlich die eventuell abweichenden, landesspezifischen Vorschriften!



Btx \*32700#

The regulations and safety instructions shall be valid as provided by the "Safety" Service Manual, part number 72010-800.00, as well as the respective national deviations.

ÄNDERUNGEN VORBEHALTEN / SUBJECT TO ALTERATION

## Ersatzteilliste Spare Parts List

### TVR

### 02 / 97

ALLE NICHT AUFGEFÜHRTEN E-TEILE  
SIEHE E-LISTE SIGNAL CHASSIS 27599-101.37

ALL PARTS NOT LISTED REFER TO  
PARTS-LIST SIGNAL CHASSIS 27599-101.37

## SIGNAL CHASSIS KSPDG1/ILPPVXTF

SACH-NR. / PART NO.: 27599-101.56

POS. NR. POS. NO.	ABB. FIG.	SACHNUMMER PART NUMBER	ANZ. QTY.	BEZEICHNUNG <b>(D)</b>	DESCRIPTION <b>(GB)</b>
1301.000		75988-019.94		TUNER UV 916S/PH	TUNER UV 916S/PH
1501.000		75988-025.29		VERBINDUNGSKABEL TUN1-TUN2	CONNECTING CABLE TUN1-TUN2
1702.000		75988-025.30		TUNER UV 1216D/P	TUNER UV 1216D/P

POS. NR. POS. NO.	SACHNUMMER PART NUMBER	BEZEICHNUNG DESCRIPTION	POS. NR. POS. NO.	SACHNUMMER PART NUMBER	BEZEICHNUNG DESCRIPTION
F 1320	8319-001-952	OFW J 1952 SIE	F 1345	75988-005.38	CER.FIL. TPS 6,0 MB
F 1345	75988-005.38	CER.FIL. TPS 6,0 MB	F 1720	8319-001-952	OFW J 1952 SIE
F 1720	8319-001-952	OFW J 1952 SIE	F 1740	75988-005.38	CER.FIL. TPS 6,0 MB
F 1740	75988-005.38	CER.FIL. TPS 6,0 MB	F 1745	75988-037.22	FILTER 6MHZO EFCT-YS5 BP
F 1745	75988-037.22	FILTER 6MHZO EFCT-YS5 BP	IC 7300	8305-849-800	SMD IC TDA9800T PHI
IC 7300	8305-849-800	SMD IC TDA9800T PHI	IC 7410	75988-025.34	IC TMP91C242AN/BTVD1-3P
IC 7410	75988-025.34	IC TMP91C242AN/BTVD1-3P	IC 7591	75988-019.74	IC SM 4052BT
IC 7591	75988-019.74	IC SM 4052BT	IC 7593	75988-019.74	IC SM 4052BT
IC 7593	75988-019.74	IC SM 4052BT	IC 7801	75988-026.21	IC TMP 87CS39N PTCG5-6
IC 7801	75988-026.21	IC TMP 87CS39N PTCG5-6	IC 7840	75988-032.45	IC SDA 5649
IC 7840	75988-032.45	IC SDA 5649	IC 7881	8305-303-624	IC SAA5254P/E PHI
IC 7881	8305-303-624	IC SAA5254P/E PHI	L 5300	75988-000.23	DR 0309 6,8UH 10% GR
L 5300	75988-000.23	DR 0309 6,8UH 10% GR	L 5301	75988-005.55	DR A 1UH 5% RM5 GR
L 5301	75988-005.55	DR A 1UH 5% RM5 GR	L 5303	75988-025.31	SPULE VAR 77M8 OU25 7KM-H/ COIL
L 5303	75988-025.31	SPULE VAR 77M8 OU25 7KM-H/ COIL	L 5304	75988-000.23	DR 0309 6,8UH 10% GR
L 5304	75988-000.23	DR 0309 6,8UH 10% GR	L 5307	75988-001.68	DR 15UH 5% RM5 GR
L 5307	75988-001.68	DR 15UH 5% RM5 GR	L 5840	75988-000.23	DR 0309 6,8UH 10% GR
L 5840	75988-000.23	DR 0309 6,8UH 10% GR	R 3322	75988-010.70	TRIMMER 4,7KOHM PM30
R 3322	75988-010.70	TRIMMER 4,7KOHM PM30	R 3341	75988-001.64	ESTR 22 KOHM PM30
R 3341	75988-001.64	ESTR 22 KOHM PM30	R 3606	75988-009.41	TRIMMER 10KOHM PM30
R 3606	75988-009.41	TRIMMER 10KOHM PM30	SI 1003	△ 75988-019.75	SICHERUNG MRT 0.500-C1/FUSE
SI 1003	△ 75988-019.75	SICHERUNG MRT 0.500-C1/FUSE	T 7009	75988-019.63	SM TRANSISTOR MUN 2212
T 7009	75988-019.63	SM TRANSISTOR MUN 2212	T 7304	8301-004-847	SMD-TRANS.BC 847 B
T 7304	8301-004-847	SMD-TRANS.BC 847 B	T 7309	8301-004-847	SMD-TRANS.BC 847 B
T 7309	8301-004-847	SMD-TRANS.BC 847 B	T 7310	8301-004-847	SMD-TRANS.BC 847 B
T 7310	8301-004-847	SMD-TRANS.BC 847 B	T 7311	75988-019.63	SM TRANSISTOR MUN 2212
T 7311	75988-019.63	SM TRANSISTOR MUN 2212	T 7501	8301-004-857	SMD-TRANS.BC 857 B
T 7501	8301-004-857	SMD-TRANS.BC 857 B	T 7502	8301-004-857	SMD-TRANS.BC 857 B
T 7502	8301-004-857	SMD-TRANS.BC 857 B	T 7507	8301-004-857	SMD-TRANS.BC 857 B
T 7507	8301-004-857	SMD-TRANS.BC 857 B			

Es gelten die Vorschriften und Sicherheitshinweise gemäß dem Service Manual "Sicherheit", Sach-Nummer 72010-800.00, sowie zusätzlich die eventuell abweichenden, landesspezifischen Vorschriften!



Btx \*32700#

The regulations and safety instructions shall be valid as provided by the "Safety" Service Manual, part number 72010-800.00, as well as the respective national deviations.

ÄNDERUNGEN VORBEHALTEN / SUBJECT TO ALTERATION